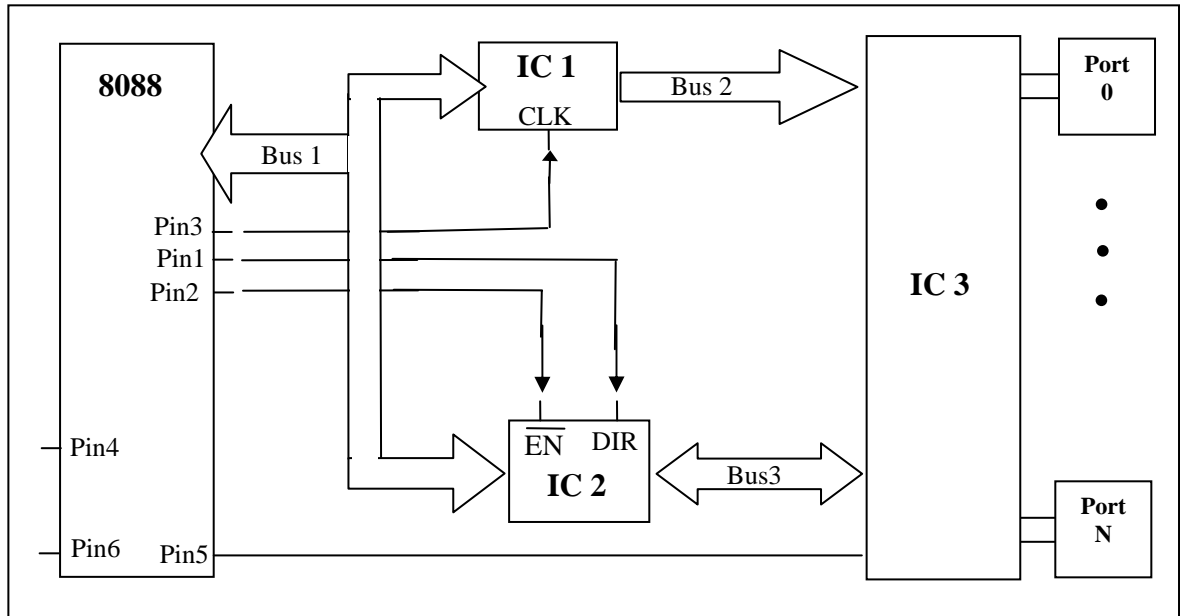


Short Quiz - 5
EE-390 4
Set B

Name: _____

ID No: _____

(1) In the given figure **8088** is performing a **Input-Output Write** operation.
 Answer the following questions:



Write approximate steps required during the bus-cycle to complete this operation:
 (Use proper names for Pin-1 to Pin-6, IC-1 to IC-3 and BUS-1 to 3 used in this process)

Step 1: _____

Step 2: _____

Step 3: _____

Step 4: _____

Step 5: _____

Step 6: _____

Step 7: _____

Step 8: _____