

KING FAHD UNIVERSITY OF PETROLEUM & MINERALS
ELECTRICAL ENGINEERING DEPARTMENT

Dr. Ibrahim O. Habiballah
EE-306 (Sec.2)

Key Solutions

Quiz # 3 Serial #

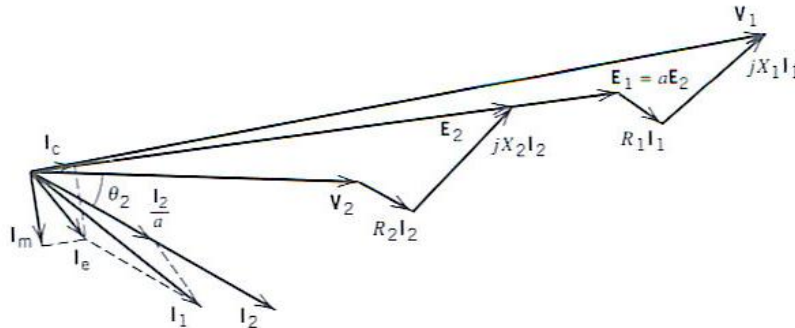
Name:

I.D.#

Circle the correct answer.

1) The phasor diagram shown below is for

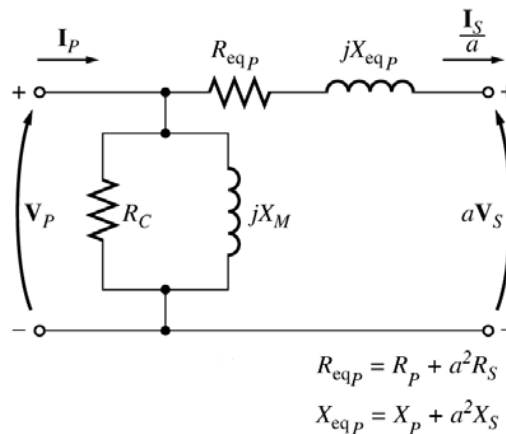
(5 Marks)



- the exact model of a transformer referred to primary side.
- the approximate model of a transformer with the excitation branch referred to secondary side.
- the approximate model of a transformer with the excitation branch referred to primary side.
- none of above.**

2) The equivalent circuit shown below is for

(5 Marks)



- the approximate model of a transformer with the excitation branch referred to primary side.**
- the approximate model of a transformer with the excitation branch referred to secondary side.
- the approximate model of a transformer without the excitation branch referred to primary side.
- the approximate model of a transformer without the excitation branch referred to secondary side.