

KING FAHD UNIVERSITY OF PETROLEUM AND MINERALS

ELECTRICAL ENGINEERING DEPARTMENT

SECOND SEMESTER 2005/2006

EE 201 MAJOR EXAM II

LOCATION: IN CLASS

DATE: MONDAY 8-5-2006

DURATION: 50 MINUTES

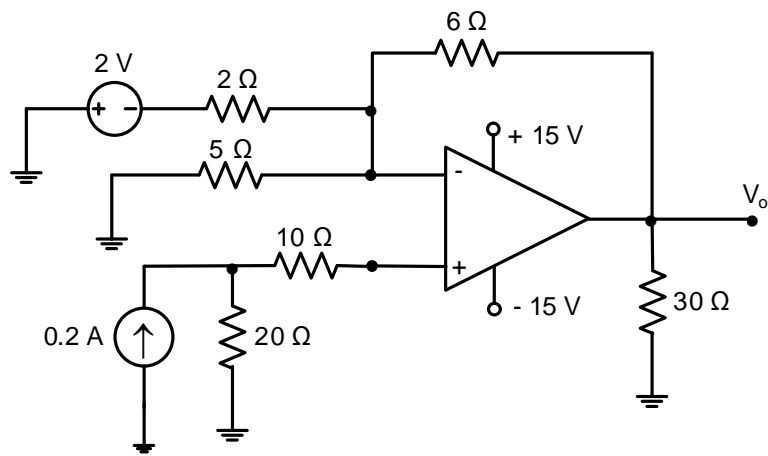
Student's Name:.....

Student's I.D. Number:.....

Problem 1	
Problem 2	
Problem 3	
Total	

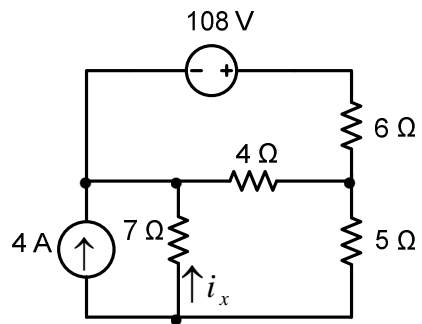
Problem 1 [33 points]

Calculate the voltage V_o in the Op Amp circuit shown.



Problem 2 [33 points]

In the given circuit, use superposition to calculate the current i_x :



Problem 3 [34 points]

In the circuit shown below, the switch remains in position (1) for a long time. It is suddenly moved to position (2) at $t = 0$. Find the inductor's current in the time intervals:

a) $t < 0$.

b) $t > 0$.

