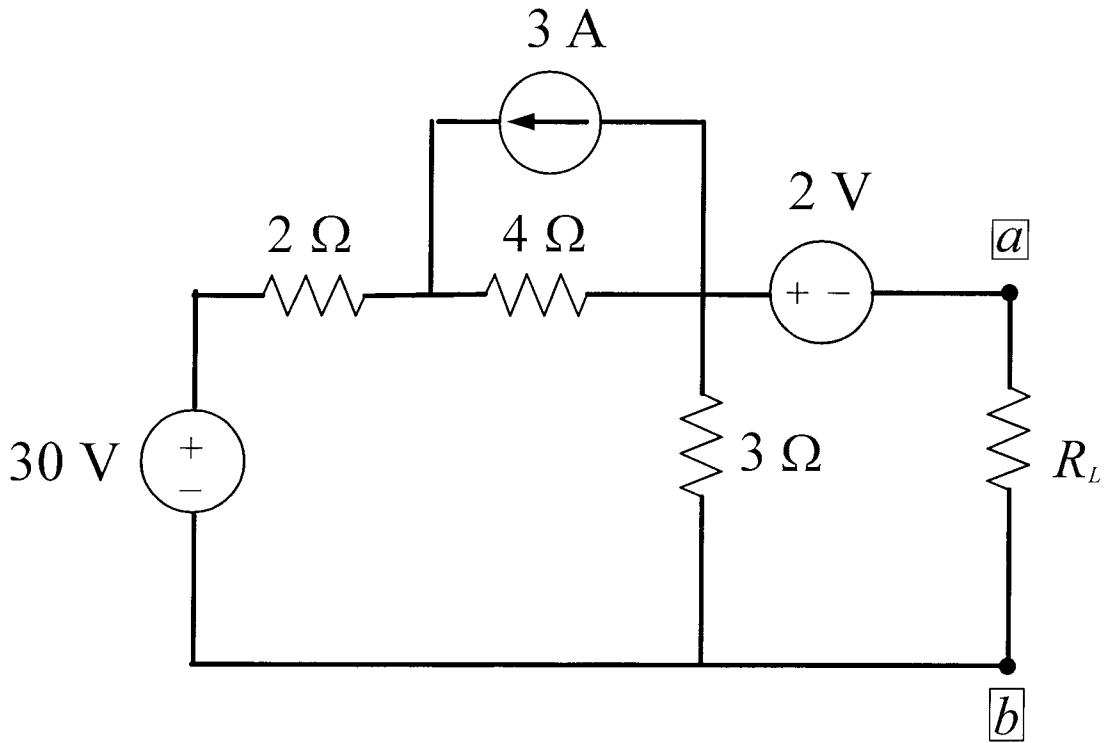


Sec	Ser	ID	Name	KEY
-----	-----	----	------	-----



For the circuit shown above, the load resistor R_L connected between

nodes a and b as shown. Find the **maximum power** absorbed by the load resistor R_L ?

$P_{max} = \frac{V_{oc}^2}{4R_{th}} \Rightarrow$ Find Thevenin Equivalent

