

EE 202-132

HW3 (Due Sunday, March 09 - 2014)

P1.

For the circuit shown in Figure 1, use the mesh-current method to calculate:

- a)- The current in all the circuit.
- b)- The power of each element in the circuit.

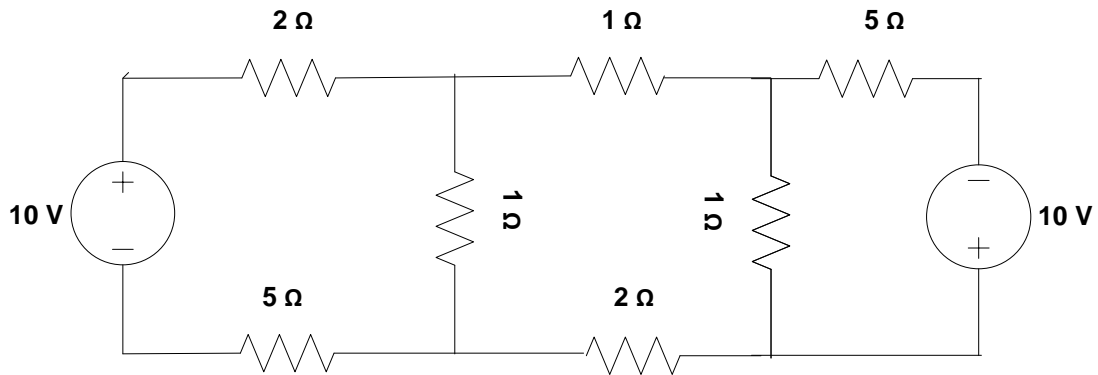


Figure 1.

P2.

For the circuit shown in Figure 2, use the node-voltage method to calculate the power in the voltage sources.

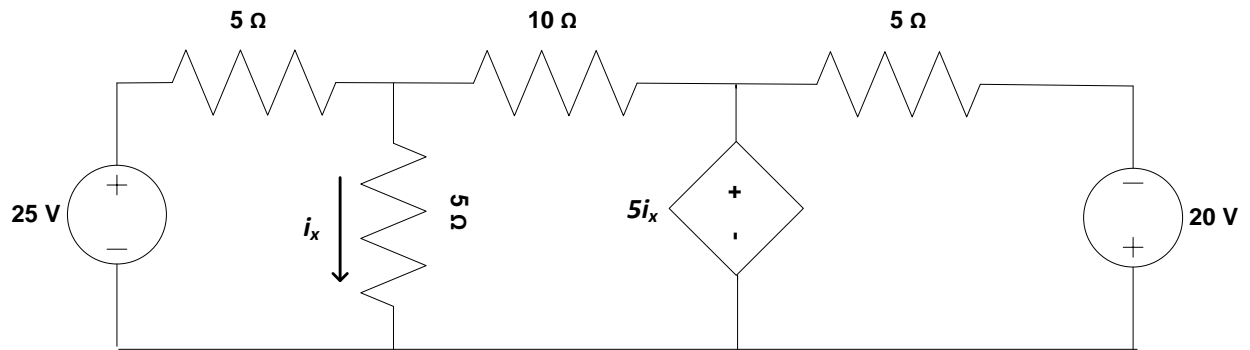


Figure 2.

P3.

For the circuit shown in Figure 3, use the mesh-current method to calculate:

a)- The current i_z

b)- The power in the circuit.

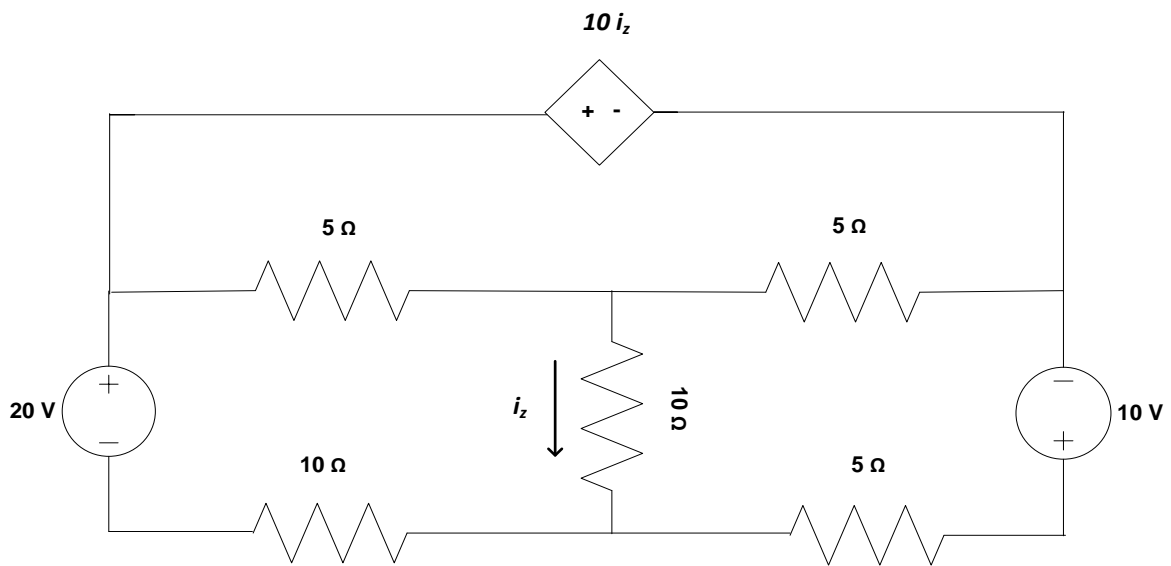


Figure 4.

P4.

Use source transformations to reduce the circuit shown to a single loop, then find the current I . Draw a circuit for each step you take.

