

**King Fahd University of  
Petroleum & Minerals  
Computer Engineering Dept**

---

**COE 543 – Mobile and Wireless  
Networks**

**Term 082**

**Dr. Ashraf S. Hasan Mahmoud**

**Rm 22-148-3**

**Ext. 1724**

**Email: [ashraf@kfupm.edu.sa](mailto:ashraf@kfupm.edu.sa)**

6/1/2009

Dr. Ashraf S. Hasan Mahmoud

1

**Lecture Contents**

---

1.

6/1/2009

Dr. Ashraf S. Hasan Mahmoud

2

## **Main References**

---

this is the one you  
are responsible for

Charles E. Perkins, "Mobile IP," IEEE Communications Magazine, May 1997, pp. 84-99.

- Notes for Prof. İbrahim Körpeoğlu of Bilkent University - Bilkent / ANKARA
- Prof. Dr.-Ing. Jochen Schiller, <http://www.jochenschiller.de/> MC SS02 – Chapter 8 material
- Charles E. Perkins, "Mobile IP – Design Principles and Practices," Addison-Wesley, 1997

6/1/2009

Dr. Ashraf S. Hasan Mahmoud

3

## **Background Information**

---

- Internet
- TCP/IP
- Subnet-ing
- ICMP
- ARP
- DHCP

6/1/2009

Dr. Ashraf S. Hasan Mahmoud

4

## Introduction

---

- Mobility vs. Portability
- DHCP requirements
- Other solutions
  - E.g. TCP connection migration

6/1/2009

Dr. Ashraf S. Hasan Mahmoud

5



## Motivation for Mobile IP

---

### Routing

- ❑ based on IP destination address, network prefix (e.g. 129.13.42) determines physical subnet
- ❑ change of physical subnet implies change of IP address to have a topological correct address (standard IP) or needs special entries in the routing tables

### Specific routes to end-systems?

- ❑ change of all routing table entries to forward packets to the right destination
- ❑ does not scale with the number of mobile hosts and frequent changes in the location, security problems

### Changing the IP-address?

- ❑ adjust the host IP address depending on the current location
- ❑ almost impossible to find a mobile system, DNS updates take to long time
- ❑ TCP connections break, security problems

Prof. Dr.-Ing. Jochen Schiller, <http://www.jochenschiller.de/>

MC SS02

8.6



## Requirements to Mobile IP (RFC 3220, was: 2002)

### Transparency

- ❑ mobile end-systems keep their IP address
- ❑ continuation of communication after interruption of link possible
- ❑ point of connection to the fixed network can be changed

### Compatibility

- ❑ support of the same layer 2 protocols as IP
- ❑ no changes to current end-systems and routers required
- ❑ mobile end-systems can communicate with fixed systems

### Security

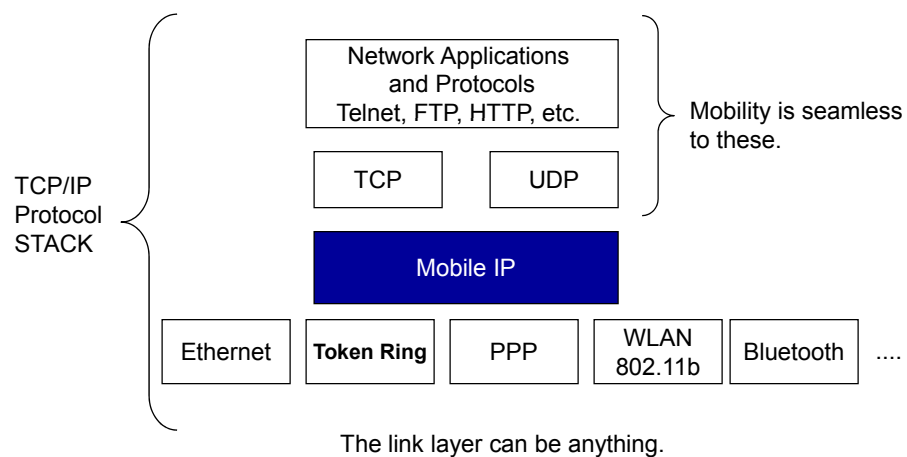
- ❑ authentication of all registration messages

### Efficiency and scalability

- ❑ only little additional messages to the mobile system required (connection typically via a low bandwidth radio link)
- ❑ world-wide support of a large number of mobile systems in the whole Internet



## Mobile IP



## Why we need mobile IP

- Current Internet architecture and protocols (without mobile IP support) do not support seamless mobility for mobile users
  - Internet is designed assuming hosts (computer) are **static** and do not change location frequently.
  - When you move to a new location with your laptop and connect it to a Ethernet cable at the new location, you have **re-configure** your laptop.
    - Obtain new IP address,
    - Learn the subnet mask.
    - Learn the default router IP address
    - Learn the local DNS servers IP addresses
  - When you re-configure your laptop with this information, most of the time you have **re-start** your laptop.
  - Whether you re-start or not your laptop, previously running network applications will **stop working** properly when you **change the IP address** of your laptop.

## Why we need mobile IP

- Initially we had desktops, workstations, main-frames and super-computer all of which are static and heavy enough so that you can not carry them with you!
    - Initial design of Internet was for these computers.
  - Now, we have
    - Laptop and handheld computers which you carry to new places when you travel
    - Palmtop and Pocket PC computers which you carry in your pocket even if you go to a movie.
  - And these are powerful enough to run a lot of interesting network applications like web browsers, etc.
    - Hence you still need **Internet access** for these highly **mobile computers and devices**
    - That is why we need mobility support to be added to the Internet.
- 
- **Mobile IP** has been designed for this purpose!

## Problems with Internet for Mobility

- In Internet, IP addresses are used for two purposes
  - Identification of hosts
    - Both an IP address or domain name address (FQDN) can be used to identify a host.
    - DNS servers does the mapping between IP addresses and domain names
    - Usually there is one to one mapping.
    - Network protocol in TCP/IP stack usually use IP addresses to identify the end-point
    - Applications may use the domain names so that they are more user friendly to the humans.
  - Locating mobile hosts: for Routing
    - IP addresses are structured and correspond to well-specific locations in Internet.
    - They are used for detemining the routes that packets will follow from a source machine to a destination machine.
    - For static hosts, we can use its IP address for very long times, ~~since the location dependent IP address does not have to be changed, since a static host do not change location.~~

6/1/2009CS 515

© Ibrahim Körpeoğlu

11

## Problems with Internet for Mobility

- When mobile hosts come into picture in Internet:
  - We need a **location-independent identifier** for the mobile hosts so that any user who wants to contact to the mobile host should be able to use this identifier to send information to the mobile host without getting bothered with the current location of the mobile.
  - We also need a **new location-dependent IP address** (all IP addresses are location-dependent) for a mobile host when it moves to a new location in order to route the packets destined for the mobile to the new location so that the mobile can receive them at the new location.
- Hence, a single IP address for the a mobile host can not serve both purposes (*identity* and *location/routing*) ~~at the same time.~~

6/1/2009CS 515

© Ibrahim Körpeoğlu

12

## Mobile IP Approach


- Use two IP addresses per mobile host
  - One permanent IP address (also called **home-address**)
    - Used for *Identification*
  - An other IP address that is changing depending on the current location the mobile host (**called care-of-address**)
    - Used for *Routing*
- The binding (association) between these two IP addresses are kept at a well-known location, called *home agent*.

## Why DHCP is not enough

- DHCP: Dynamic Host Configuration Protocol
  - An Internet Protocol that allows host that does not have an IP address to obtain an IP address and other configuration information when it connects to a network at a new location.
    - Network to be connected can be for example an Ethernet link
    - Network to be connected should support DHCP protocol
    - The mobile host should support DHCP protocol
  - The **configuration info** that can be obtained via DHCP at the new location includes:
    - A registered IP address
    - Subnet mask of the network
    - Local DNS server IP addresses (primary and secondary IP addresses)

## DHCP does not provide seamless mobility

- Since you obtain a new IP address at every new location, applications have to be restarted
  - Restart is not a problem for web page access
  - Restart is a problem for telnet and ftp sessions and some other network and TCP applications.
- Other people can not connect to you when you move to a new location unless they learn your new IP address
  - You have to call them and let your IP address at every move!!!
  - DNS servers are not dynamic enough currently to update the binding between your machine's domain name (host name) and its IP address. This binding will be stale when you move to a new location. Your friend who wants to contact you and uses your machine's host name, will have the old IP address returned from the DNS server. Hence the packets (messages) he will send will be routed to your old IP address.




### Terminology

refer to Perkins's paper for the full list of definitions

**Mobile Node (MN)**

- system (node) that can change the point of connection to the network without changing its IP address



**Home Agent (HA)**

- system in the home network of the MN, typically a router
- registers the location of the MN, tunnels IP datagrams to the COA

**Foreign Agent (FA)**


- system in the current foreign network of the MN, typically a router
- forwards the tunneled datagrams to the MN, typically also the default router for the MN

**Care-of Address (COA)**

- address of the current tunnel end-point for the MN (at FA or MN)
- actual location of the MN from an IP point of view
- can be chosen, e.g., via DHCP

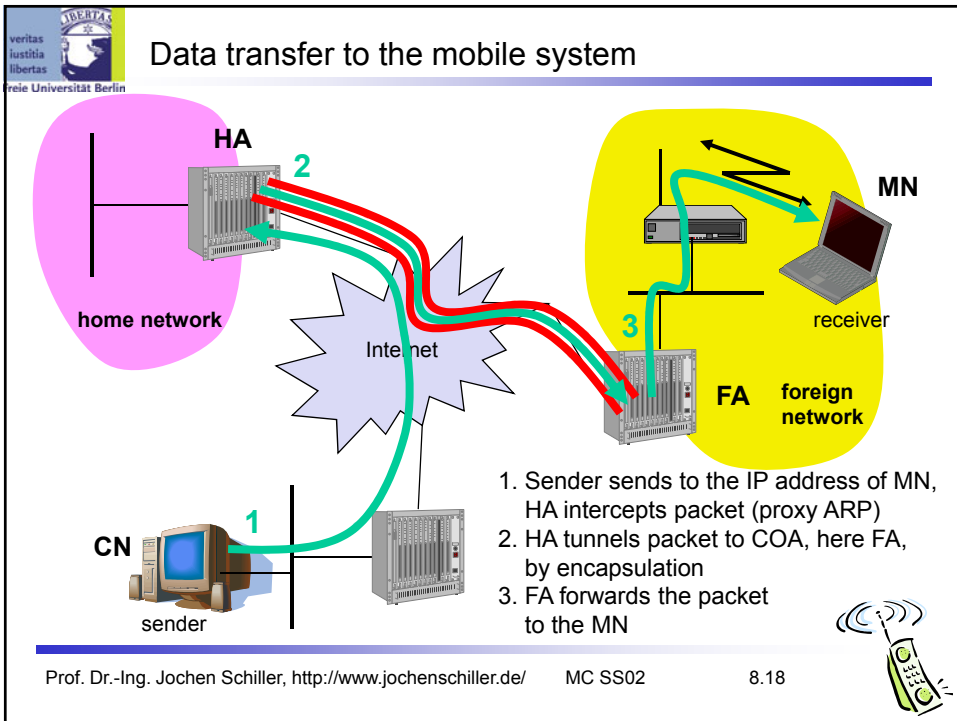
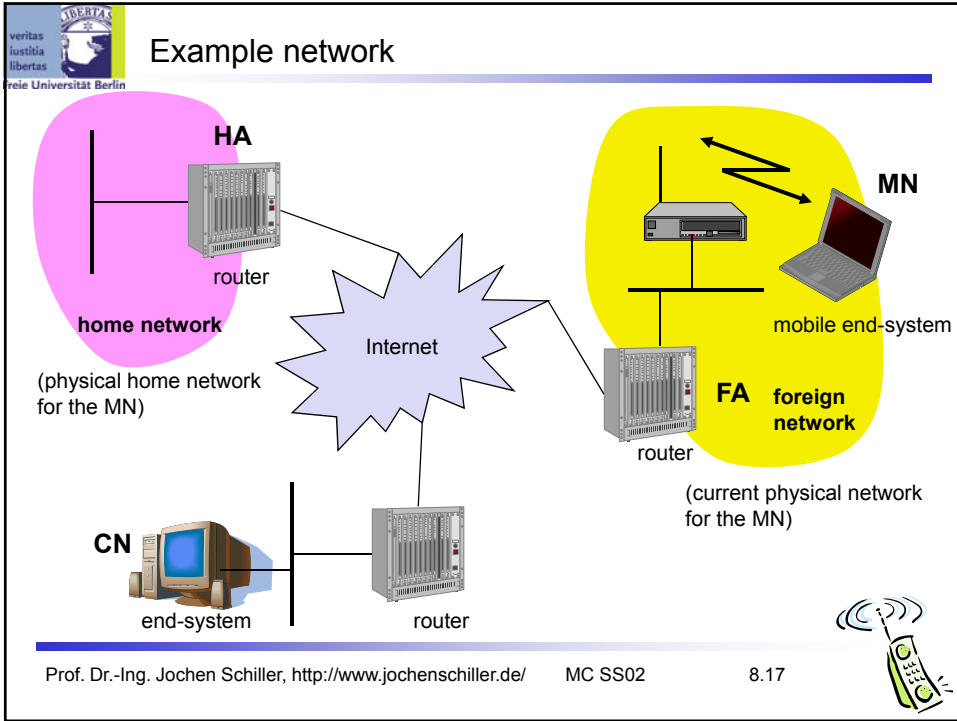
**Correspondent Node (CN)**

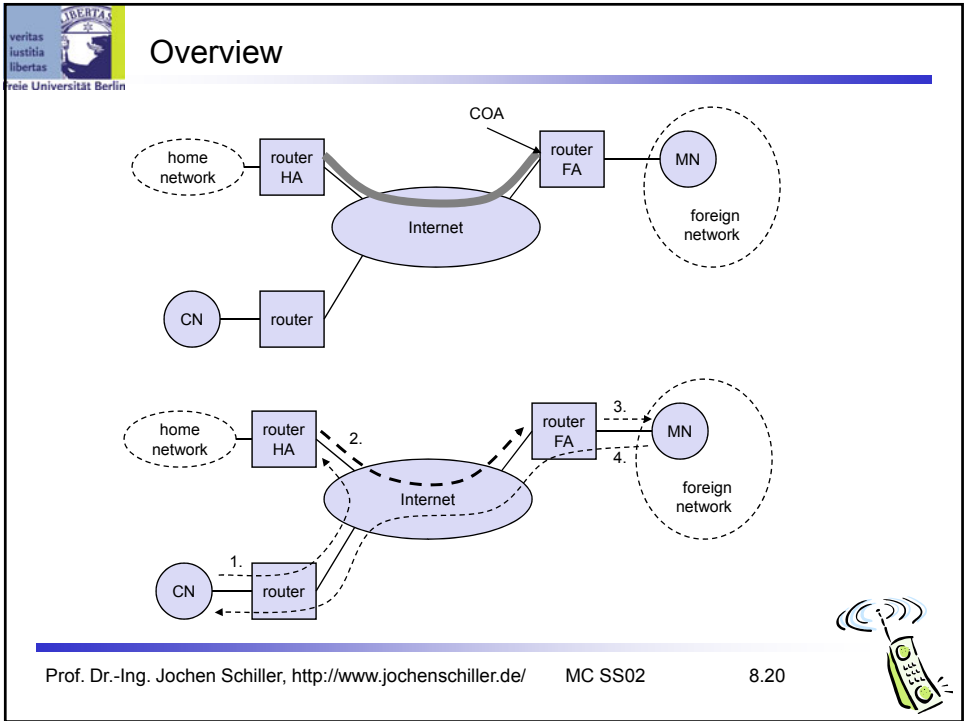
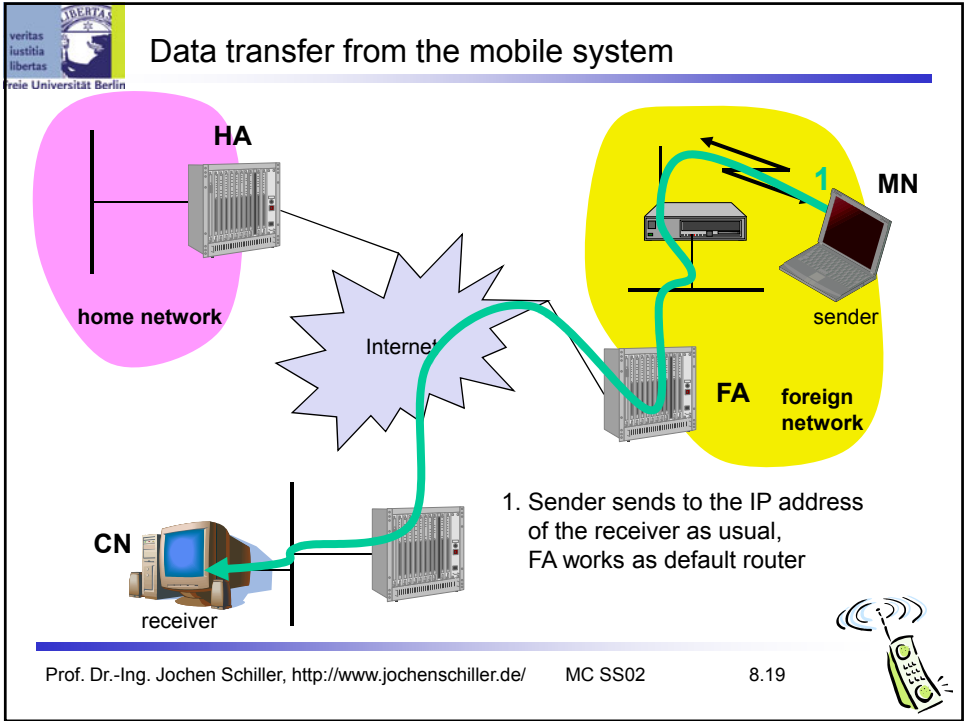
- communication partner



Prof. Dr.-Ing. Jochen Schiller, <http://www.jochenschiller.de/> MC SS02 8.16





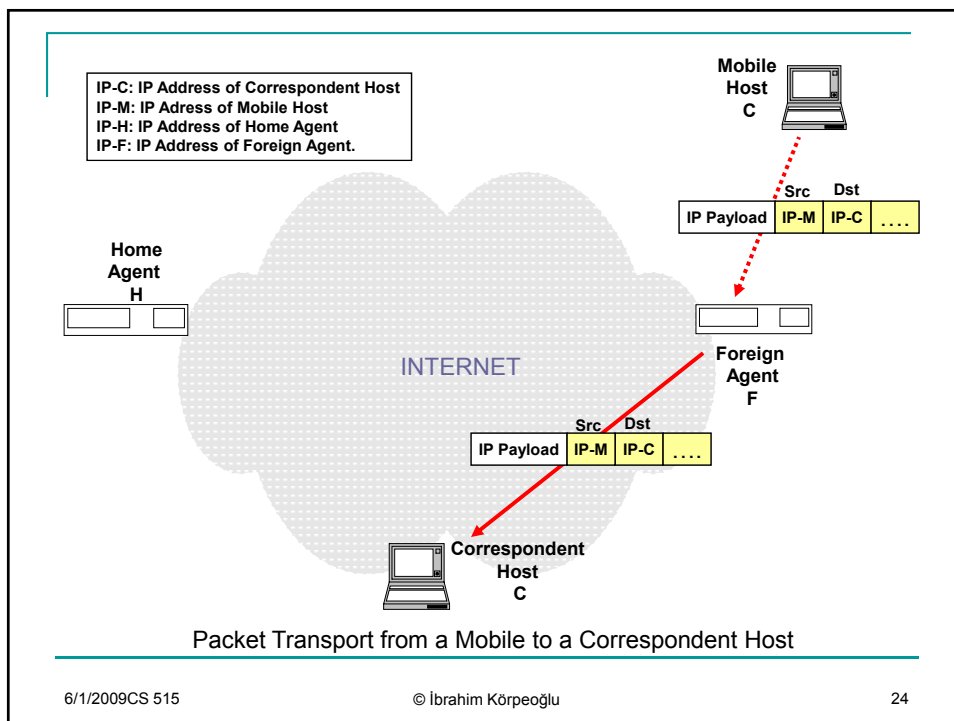
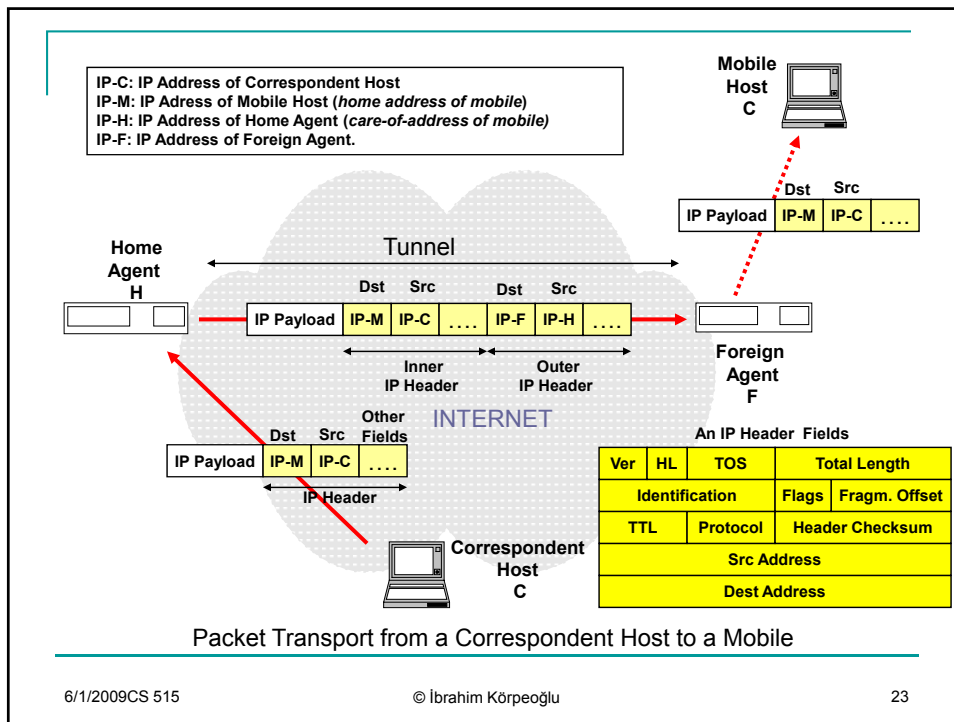


## Example

- A correspondent host C wants to send an IP packet to a mobile host M.
  - It generated the IP packet so that the IP packet has **destination address** equal to mobile's home address
  - The IP packet is send to the **mobile's home address**
  - Routers forward the packet **using normal Internet routing mechanisms** to the home network of the mobile.
  - Assume mobile is away from home network and currently is located in a foreign network. Hence **mobile will not be able to receive** (capture) the packet that is sent to the mobile's home network.
  - A home agent located in the mobile's home network will **intercept** the packet aimed for mobile
    - This interception is done with the help of **proxy ARPing**.
  - Home agent will know the whereabouts of the mobile, if the mobile has **registered** with the home agent previously.

## Example – continued.

- **Home agent will encapsulate** the IP packet using IP-IP encapsulation (tunneling) method and will send the encapsulated IP packet to the new location (care-of-address) of the mobile. The new location is the foreign network that the mobile currently resides in.
- The **encapsulated IP** packet will be transported to the care-of-address of the mobile using **normal Internet routing mechanisms**.
  - Care-of-address can be the **IP address of a foreign agent** or **the new IP address of the mobile** at the new location obtained via methods like DHCP, etc. In this case the foreign agent could be co-located at the mobile host.
- The holder of the care-of-address (a foreign agent) will receive the encapsulated IP datagram, will strip off the outer header (**decapsulate**) and will forward the original IP packet to the mobile host.
- The mobile host will receive the packet as it is coming from a correspondent host directly without going through the home agent (if foreign agent functionality is not co-located at the mobile host).



## Mobile IP Functions

- **Agent Discovery – using extension to ICMP**
  - When a mobile node moves into a new subnetwork (or network), it has to discover the foreign agent in that network
    - For this, mobile agents (home and foreign) advertise their presence periodically using ICMP messages.
- **Registration – using UDP**
  - When a mobile moves to a new network and obtains a new care-of-address there, it has to register that address with the home agent (binding), so that home agent knows where to forward the packets aimed for mobile.
    - Registration should be secure
- **Tunneling**
  - When packet aimed for mobile are intercepted by home agent, they are forward to the current location (care-of-address) of the mobile using a mechanism called Tunneling
    - There are various forms of tunneling: IP-IP, Minimum Encapsulation, GRE, etc.

## Mobile Agent Discovery

- How a mobile node discovers the home and foreign agents when it travels?
- Agents periodically broadcast their presence (advertisement) on a link ( a wireless link – 802.11, or a wired link – ethernet)
  - These broadcasts are **agent advertisement messages**.
- A mobile node receiving the advertisement understand from the IP addresses included in the advertisement:
  - Whether it is in the home network or not?
  - Whether it has moved to new location or not.
- This understanding is at the IP level
  - (A mobile already knows that it has moved at the physical link level if has moved).

## Mobile Agent Discovery

- An agent advertisement message is an **ICMP router advertisement message** with special extension.
- Original router discovery protocol (ICMP) is specified by RFC 1256
- The special extension is called Mobility Agent Extension.

- No Authentication is required!! – Why?
- A mobile node may also solicit a mobile agent discovery message
- Why?
  - Allow detection of mobility agents
  - Lists one or more care-of-address
  - Informs mobile node of special features of that mobility agent

6/1/2009 5:15

© Ibrahim Korpeoglu

27

## Router Discovery Protocols - background

- Original router discovery protocol (ICMP) is specified by RFC 1256

- **Type:** 9
- **Code:** 0
- **Checksum:**
- **Num addr:** the number of router addresses advertised in this message
- **Addr entry size:** the number of 32-bit words of info for each router address (typically 2)
- **Lifetime:** the maximum number of seconds that the router addresses may be considered valid
- **Router address(i):**  $i=1..num\ addr$ , the sending router's IP addresses on the interface from which this message is sent
- **Preference level(i):**  $i=1..num\ addr$ , the preferability of each corresponding router address as a default router address relative to other router addresses on the same subnet

0		8		16		31	
Type	Code			Checksum			
Num addr	Addr entry size			Lifetime			
Router address (1)							
Preference level (1)							
.							
.							

Router Advertisements (From RFC 1256)

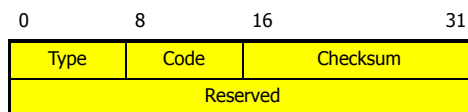
6/1/2009

Dr. Ashraf S. Hasan Mahmoud

28

## Router Discovery Protocols - background

- Router solicitation – when a host needs a timely information
- **Type:** 10
- **Code:** 0
- **Checksum:**
- **Reserved:** sent as 0 – ignored on reception



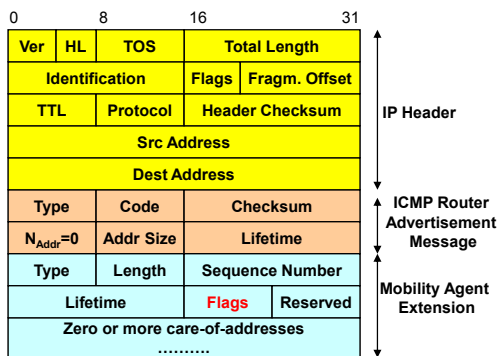
Router Solicitations (From RFC 1256)

6/1/2009

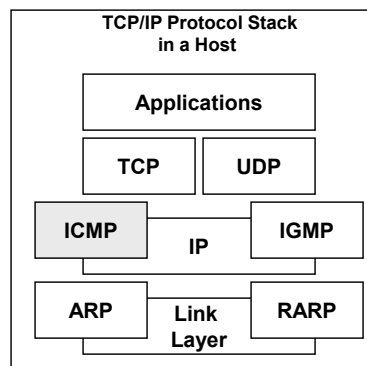
Dr. Ashraf S. Hasan Mahmoud

29

## Agent Advertisement Message



**FLAGS**  
 R: Registration required (with the foreign agent)  
 B: Foreign agent is busy  
 H: The agent is home agent.  
 F: The agent is foreign agent  
 M: Minimum encapsulation  
 G: GRE encapsulation  
 V: Van Jacobson Header Compression



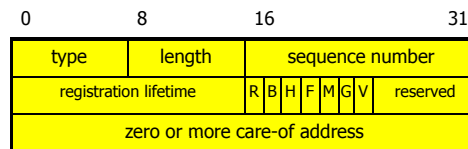
6/1/2009CS 515

© Ibrahim Körpeoğlu

30

## Mobility Agent Advertisement Extensions

- **Type:** 16
- **Length:** (6+4\*N), where N is the # of care-of addresses advertised
- **Sequence number:** the count of agent advertisement messages sent since the agent was initialized
- **Registration lifetime:** the longest lifetime (measured in seconds) that this agent is willing to access in any registration request; 65535 indicates infinity
- **R, B, H, F, M, G, V:** see previous slide
- **Care-of address:** The advertised foreign agent care-of address provided by this foreign agent. An agent advertisement is required to include at least one care-of address if the F bit is set.



Mobility Agent Advertisement Extension

## Registration

Once the mobile node obtains its care-of-address it has to **REGISTER** with the home mobile agent

- After a **mobile** detects at the IP (ICMP) layer that it has moved to a new location, it starts **registration procedure with the home agent**.
  - The aim of the registration is to let the home agent know mobile's current care-of-address. Mobile obtains this care-of-address either from the foreign agent or from a server like DHCP server.
- Registration procedure consists of sending a **Registration Request** Message from mobile to home agent and a **Registration Reply** Message from home agent to mobile
- Registration messages has to go through Foreign agent.
  - Foreign Agent just forwards these registration messages back and forth
  - Foreign agent is a passive entity in registration. .
- Registration messages sent over UDP to port number 434.



## Registration Objectives

ALWAYS

- Request forwarding services when visiting a foreign network
- Inform their home agent of their current COA
- Renew a binding that is due to expire
- De-register when they return home

OPTIONAL

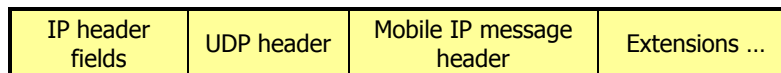
- Discover the address of the home agent if the mobile node is not configured with this info
- Select certain alternative tunneling protocols (minimal encapsulations or GRE) - Required of the use of Van Jacobson header compression
- Maintain multiple simultaneous registration so that a copy of each datagram will be tunneled to each active COA
- De-register certain COAs while retaining others

6/1/2009

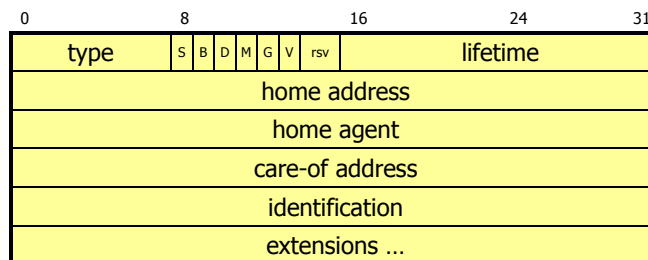
Dr. Ashraf S. Hasan Mahmoud

33

## Registration Packet



General Mobile IP Registration Message



Registration request packet format

6/1/2009

Dr. Ashraf S. Hasan Mahmoud

34

# Registration Request

0	8	16	31
Type	Flags	Lifetime	
Home address			
Home agent			
Care-of-address			
Identification			
Extensions .....			

Registration Request Format



**Type:** Type of the Mobile IP Message:  
1 – Registration Request.

**Lifetime:** Number of seconds registration is valid.

**Home address:** The home IP address of the mobile

**Home agent:** The IP address of the home agent.

**Care-of-address:** The current IP address of the mobile – this is then end of the tunnel.

**Identification:** Used for replay protection.

**Extensions:** Security extensions can be added to protect from malicious people.

**Flags:**

**S:** Simultaneous binding (retain previous binding).

**B:** Broadcast – Home agent will tunnel broadcast datagrams to the mobile

**D:** Mobile node is using a *collocated* care-of-address – that means there is no foreign agent and mobile node will decapsulate the packets itself.

**M:** Mobile node requests the home agent to encapsulate the packets using Minimal Encapsulation

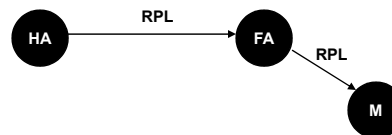
**G:** Mobile node requests the home agent to encapsulate the packets using GRE Encapsulation

IP Header	UDP Header	Mobile IP Message	Extensions
-----------	------------	-------------------	------------

# Registration Reply

0	8	16	31
Type	Code	Lifetime	
Home address			
Home agent			
Identification			
Extensions .....			

Registration Reply Format



**Type:** 3 – Registration Reply

**Code:** Indicates the result of registration

Some code values:

0 registration accepted

66 insufficient resources at foreign agent

70 poorly formed request

130 insufficient resources at home agent

131 mobile node failed authentication

**Lifetime:** The granted life time by home agent for registration

**Identification:** depends on the identification in the request

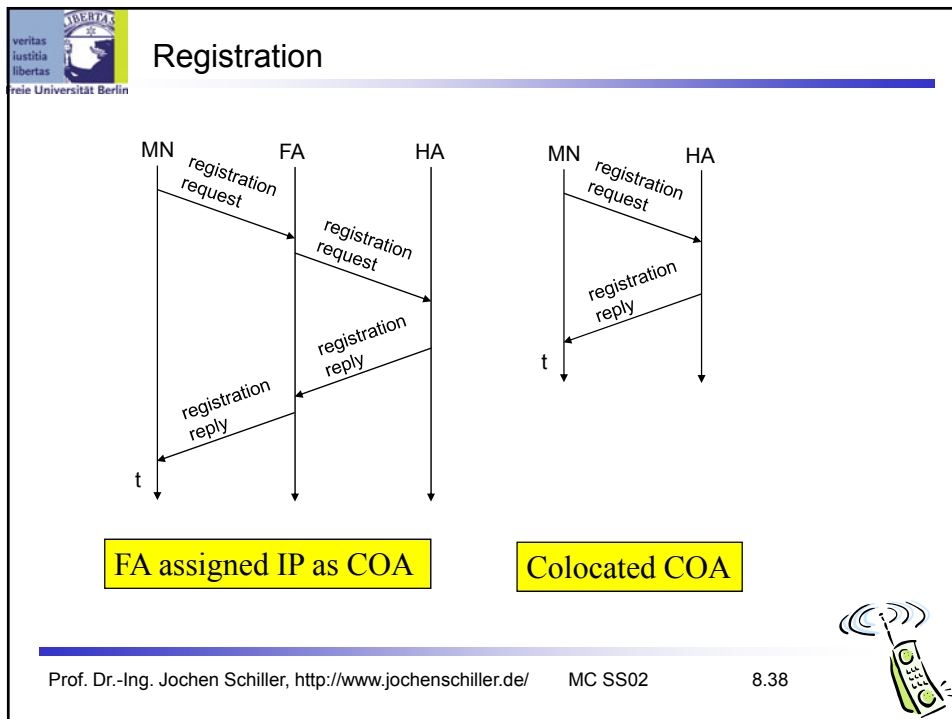
# Care-of-Address Types

- Normal Care-of-address
  - The care-of-address that mobile obtains at a new location is the IP address of a foreign agent serving at that new location.
    - Registration and communication has to go through foreign agent
- Collocated care-of-address
  - There is no separate foreign agent present at the new location
  - Mobile obtains an IP at the new location through some standard mechanisms like DHCP.
  - This IP address is called collocated IP address.
  - The foreign agent functionality is executed at the mobile node itself.
    - The mobile node decapsulates the tunneled packets coming from home agent.
  - Registration and communication is done directly between mobile and home agent.

6/1/2009CS 515

© Ibrahim Körpeoğlu

37



## Securing the registration procedure

- Security problem
  - Fraudulent registrations should be detected.
    - A bad person can send registration packets to home agent as if the packets are coming from a legitimate mobile user.
    - In this way, the bad user can redirect the traffic destined to mobile node to itself and obtain the packets.
    - Hence we need authentication
- There are three authentication extensions defined for Mobile IP
  - The mobile-home authentication extension
  - The mobile-foreign authentication extension
  - The foreign-home authentication extension.

## ***Authentication Overview***

- Mobility Security Association = SPI + IP
  - Security Parameter Index (SPI)
  - For mobile node, IP = home address not COA

## Securing the registration procedure

	0	8	16	31
Type	Length	SPI		
SPI....continued		Authenticator		
Authenticator.....				

Mobile IP Authentication Extension  
Added to the Registration Request  
Message

Type: 32 – Mobile-Home authentication extension  
33 – Mobile-Foreign authentication extension  
34 – Foreign-Home authentication extension  
SPI: Security Parameter Index. Defines the security  
context (algorithm, mode, key) to compute  
the authenticator.

Authenticator: variable length.

What are the potential dangers?  
What are “replay” attacks?

### Default Authentication Algorithm:

Keyed-MD5 in prefix-suffix mode  
128 bit authenticator: message digest of the registration message.  
Computed over:  
*shared secret key,*  
*spi index,*  
*protected fields of registration message,*  
*shared secret again.*

### Example 1: (section 4.11 of book)

Mobile node IP home address	129.34.78.5
Mobile node's home agent	129.34.78.254
Foreign agent's wireless address	137.0.0.11
Foreign agent coa	9.2.20.11
DHCP-allocated coa	9.2.43.94
Mobile node's source port	1094
Foreign agent's source port	1105
coa registration lifetime	60,000 sec
Home agent granted lifetime	35,000 sec

## **Example 1: (section 4.11 of book)- 2**

### **Agent Advertisement**

IP header fields	ICMP header	Router Adv. fields	Mobile Service Extension
S = 137.0.0.11 D = 255.255.255.255 F = 1	Type = 9 Code 16	...	Lifetime = 60,000 COA = 9.2.20.11

### **Mobile → Foreign Agent**

IP header fields	UDP header	Mobile IP msg fields	Authentication Ext.
S = 129.34.78.5 D = 137.0.0.11 TTL = 1	S = 1094 D = 434	Type = 1 Lifetime = 60,000 COA = 9.2.20.11 HA = 129.34.78.254 MA = 129.34.78.5	SPI = 302

6/1/2009

Dr. Ashraf S. Hasan Mahmoud

43

## **Example 1: (section 4.11 of book)- 3**

### **Foreign Agent → Home**

IP header fields	UDP header	Mobile IP msg fields	Authentication Ext.
S = 9.2.20.11 D = 129.34.78.254 TTL = 64	S = 1105 D = 434	Type = 1 Lifetime = 60,000 COA = 9.2.20.11 HA = 129.34.78.254 MA = 129.34.78.5	SPI = 302

### **Home → Foreign Agent**

IP header fields	UDP header	Mobile IP msg fields	Authentication Ext.
S = 129.34.78.254 D = 9.2.20.11 TTL = 64	S = 434 D = 1105	Type = 3 Lifetime = 35,000 HA = 129.34.78.254 MA = 129.34.78.5	SPI = 303

6/1/2009

Dr. Ashraf S. Hasan Mahmoud

44

## **Example 1: (section 4.11 of book)- 4**

### **Foreign Agent → Mobile**

IP header fields	UDP header	Mobile IP msg fields	Authentication Ext.
S = 137.0.0.11 D = 129.34.78.5 TTL = 1	S = 434 D = 1094	Type = 3 Lifetime = 35,000 HA = 129.34.78.254 MA = 129.34.78.5	SPI = 303

6/1/2009

Dr. Ashraf S. Hasan Mahmoud

45

## **Example 2: (section 4.11 of book)**

Mobile node IP home address	129.34.78.5
Mobile node's home agent	129.34.78.254
DHCP-allocated coa	9.2.43.94
Mobile node's source port	1094
coa registration lifetime	60,000 sec
Home agent granted lifetime	35,000 sec

Mobile enters a foreign network that contains no foreign agents. The mobile obtains an address from a DHCP server for use as a co-located care-of address. The mobile support minimal encapsulation and GRE.

6/1/2009

Dr. Ashraf S. Hasan Mahmoud

46

## **Example 2: (section 4.11 of book)- 2**

### **Mobile → Home Registration Request**

IP header fields	UDP header	Mobile IP msg fields	Authentication Ext.
S = 129.34.78.5 D = 129.34.78.254 TTL = 64	S = 1094 D = 434	Type = 1 Lifetime = 665535 COA = 9.2.43.94 HA = 129.34.78.254 MA = 129.34.78.5 D.M.G.B = 1,1,1,1	SPI = 302

### **Home → Mobile Registration Reply**

IP header fields	UDP header	Mobile IP msg fields	Authentication Ext.
S = 129.34.78.254 D = 129.34.78.5 TTL = 64	S = 434 D = 1094	Type = 3 Lifetime = 35000 COA = 9.2.43.94 HA = 129.34.78.254 MA = 129.34.78.5	SPI = 303

6/1/2009

Dr. Ashraf S. Hasan Mahmoud

47

## **Example 3: (section 4.11 of book)**

Mobile returns home and wishes to de-register all of care-off addresses with its home agent. The care-off address fields are the same as the mobile node's home address, and the requested (and granted) lifetimes are 0.

6/1/2009

Dr. Ashraf S. Hasan Mahmoud

48



## **Example 3: (section 4.11 of book)- 2**

### **Agent Advertisement**

IP header fields	ICMP header	Router Adv. fields	Mobile Service Extension
S = 129.34.78.254 D = 255.255.255.255 H = 1	Type = 9 Code 16	...	... no COAs ... Lifetime = 35000

### **Mobile → Home Agent**

IP header fields	UDP header	Mobile IP msg fields	Authentication Ext.
S = 129.34.78.5 D = 129.34.78.254 TTL = 1	S = 1094 D = 434	Type = 1 Lifetime = 0 COA = 129.34.78.5 HA = 129.34.78.254 MA = 129.34.78.5	SPI = 302

6/1/2009

Dr. Ashraf S. Hasan Mahmoud

49

## **Example 3: (section 4.11 of book)- 2**

### **Home → Mobile**

IP header fields	UDP header	Mobile IP msg fields	Authentication Ext.
S = 129.34.78.254 D = 129.34.78.5 TTL = 1	S = 434 D = 1094	Type = 3 Lifetime = 0 COA = 129.34.78.5 HA = 129.34.78.254 MA = 129.34.78.5	SPI = 303

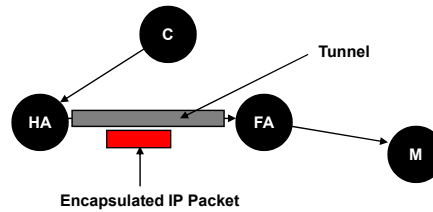
6/1/2009

Dr. Ashraf S. Hasan Mahmoud

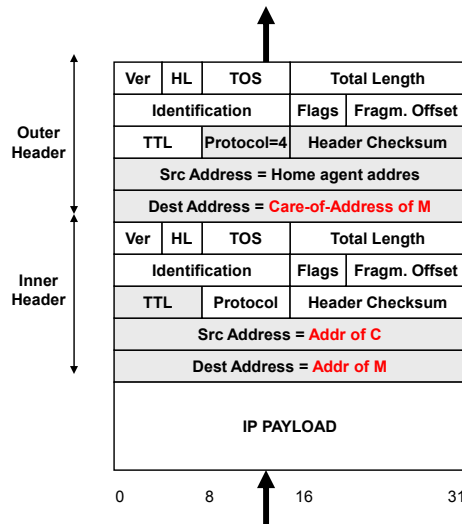
50

# Routing and Tunneling

- When a correspondent host sends an IP packet to a mobile (to its home address), packet is routed first to home agent of mobile through normal routing.
- Home agent intercepts the packet and encapsulates it and tunnels it to the care-of-address (tunnel exit point) of the mobile.
  - The encapsulated packet is delivered to the care-of-address using **normal routing**.
- There are various encapsulation methods:
  - IP-IP Encapsulation
  - Minimal Encapsulation
  - GRE (Generic Routing Encapsulation) Encapsulation.



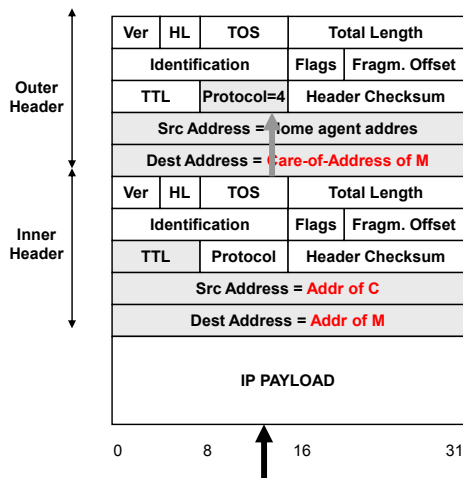
# IP-IP Encapsulation at Home Agent



Home agent encapsulated the IP Packet inside an other IP Header and Sends it to the care-of-address of mobile

An IP packet is received at the Home agent from a correspondent host for a mobile host.

# IP-IP Decapsulation at the Care-of-Address

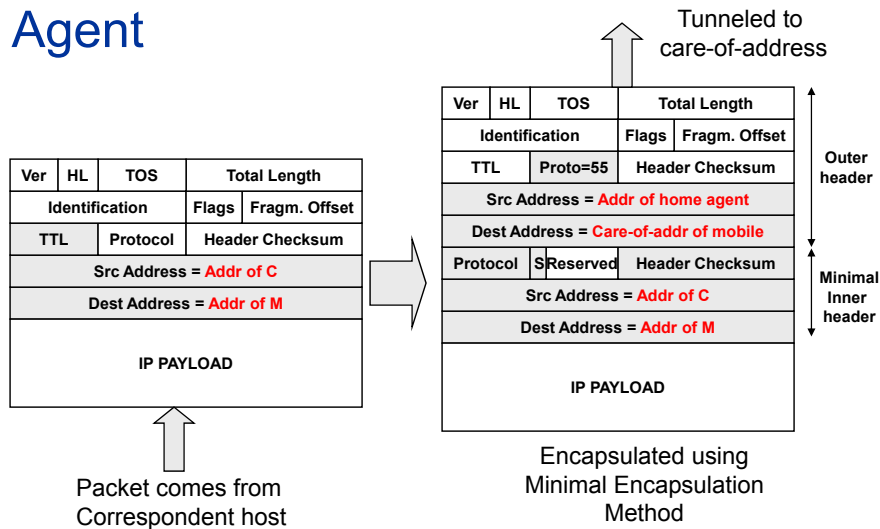


An encapsulated IP packet is received at the foreign agent (or at the mobile itself for a collocated care-of-address).

Receiver understands that the packet is IP-IP encapsulated by looking to the protocol field (which is 4).

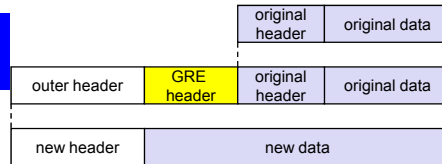
Receiver forwards (not routes) the decapsulated IP packet to the mobile node using **link-level mechanisms!**

# Minimal Encapsulation at Home Agent



# Generic Routing Encapsulation

GRE = A protocol for encapsulation of an arbitrary network layer protocol over another arbitrary network layer protocol



## RFC 1701

ver.	IHL	DS (TOS)	length
IP identification		flags	fragment offset
TTL	GRE	IP checksum	
IP address of HA			
Care-of address COA			
checksum (optional)	offset (optional)	key (optional)	
sequence number (optional)			
routing (optional)			
ver.	IHL	DS (TOS)	length
IP identification		flags	fragment offset
TTL	lay. 4 prot.	IP checksum	
IP address of CN			
IP address of MN			
TCP/UDP/ ... payload			

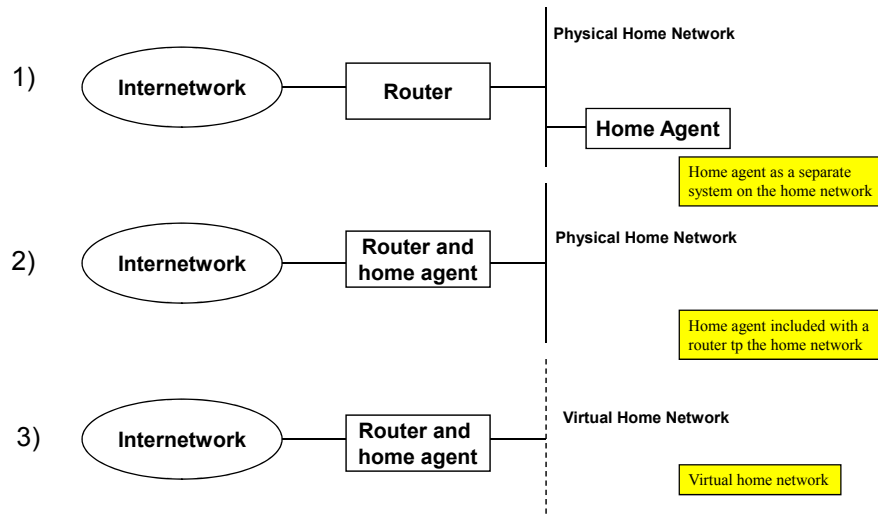
## RFC 2784

C	reserved0	ver.	protocol
checksum (optional)		reserved1 (=0)	

More details about GRE @:  
 - RFC 2784 (<http://www.faqs.org/rfcs/rfc2784.html>)  
 - <http://www.networksorcery.com/enp/protocol/gre.htm>,

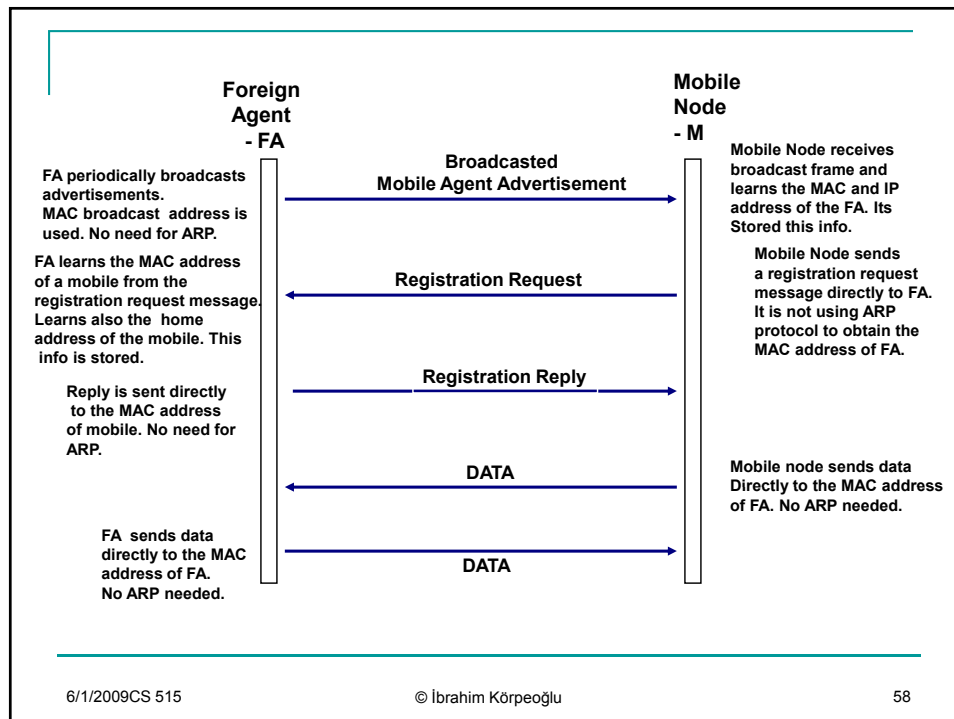


# Home Network Configurations

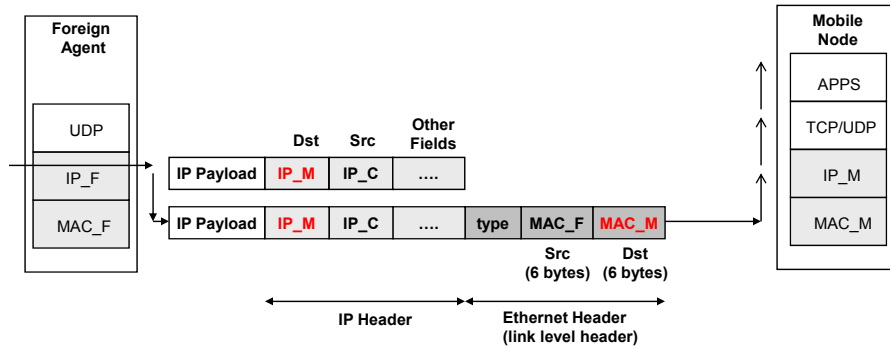


## Sending packets between mobile and foreign agent

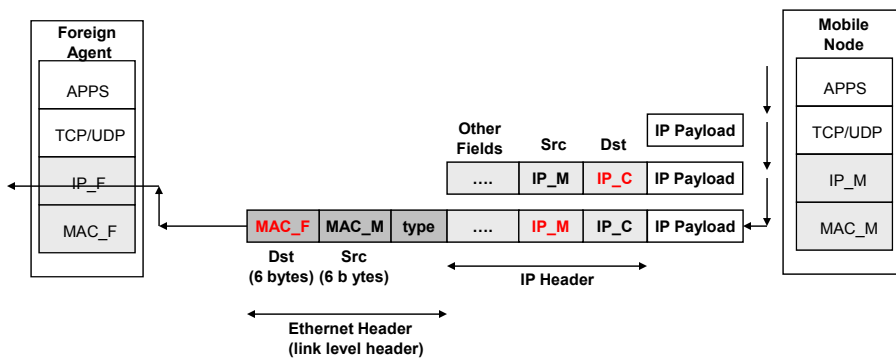
- When a mobile moves to a new location, a foreign should be broadcasting (IP and link layer broadcast) advertisements on the link (sub-network).
- Mobile will be able to receive this broadcast message and will learn:
  - The IP address of the foreign agent (this will be the care-of-address of the mobile most of the time).
  - The hardware (MAC or link-level address) of the foreign agent.
- When mobile sends a registration packet through this foreign agent, the foreign agent will learn:
  - The home address of the mobile
  - The hardware (MAC or link level) address of the mobile.
    - The registration packet will be sent directly to the foreign agent by using the MAC address of the foreign agent (No need to do ARP request).



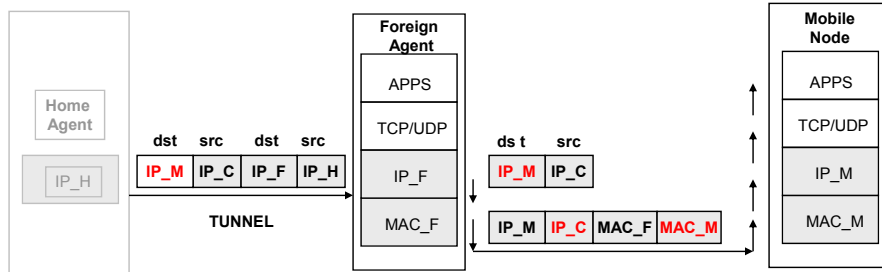
## Sending Data from Foreign Agent to Mobile



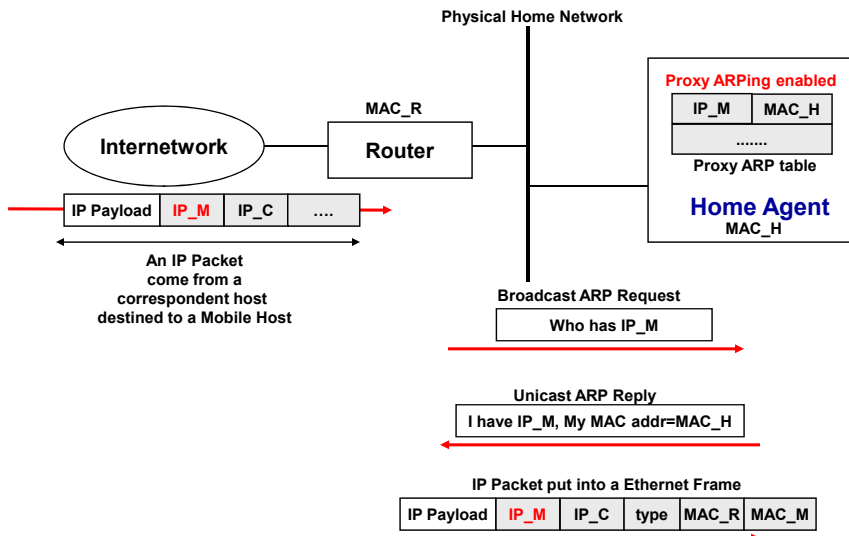
## Sending Data from Mobile to Foreign Agent



# Decapsulation again



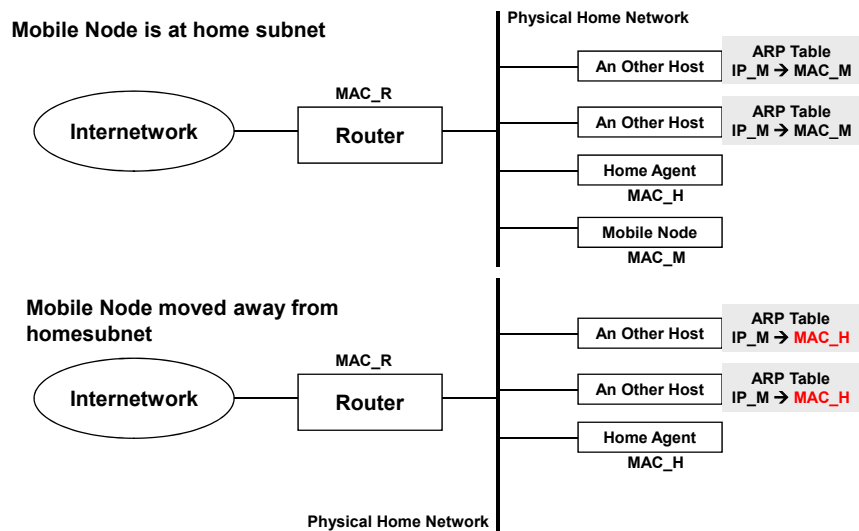
# How to attract packets at the Home network



## Proxy ARPing

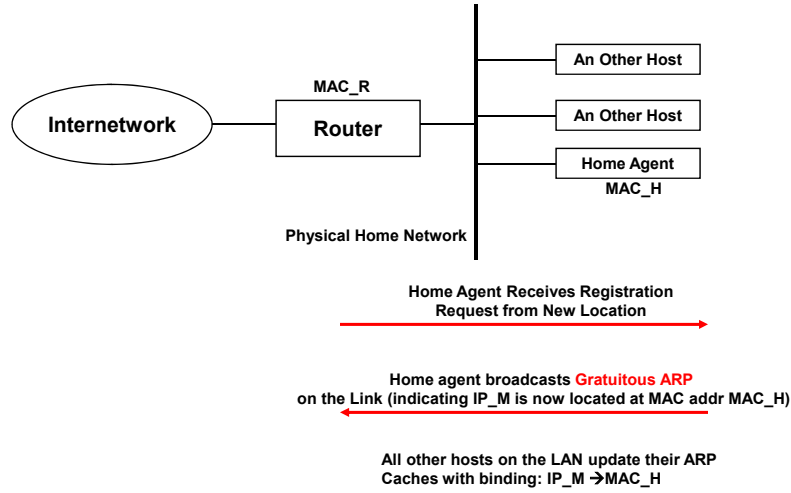
- The packet comes to the last router that the home subnetwork is connected to.
- The router will try to resolve the IP address of Mobile (IP\_M) into the corresponding MAC layer address (Hardware address).
- For this purpose, it will broadcast an ARP request packet
- Since the mobile is not at home subnet, it will not be able to answer ARP request.
- Home agent will answer instead of the Mobile node. In order to do this, home agent should be configured to do proxy ARPing.
- Home agent replies to the ARP request with an ARP reply, including its MAC address (MAC\_H) as the MAC level address corresponding to the IP address of the Mobile.
- The router, upon receiving the ARP reply, will send the IP packet to the MAC address of the home agent.
- In this way, the home agent attracts the IP packets that are destined to the mobile node.

## Gratuitous ARP Functionality



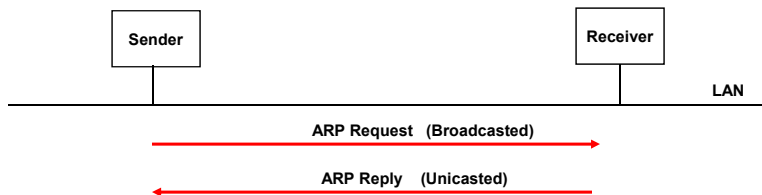
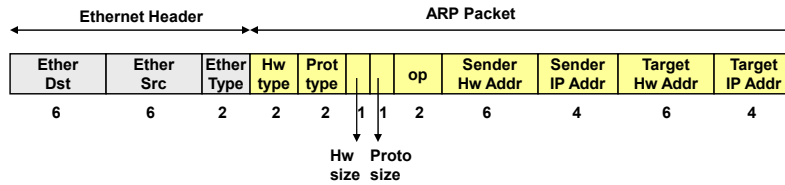


# Gratuitous ARP Operation

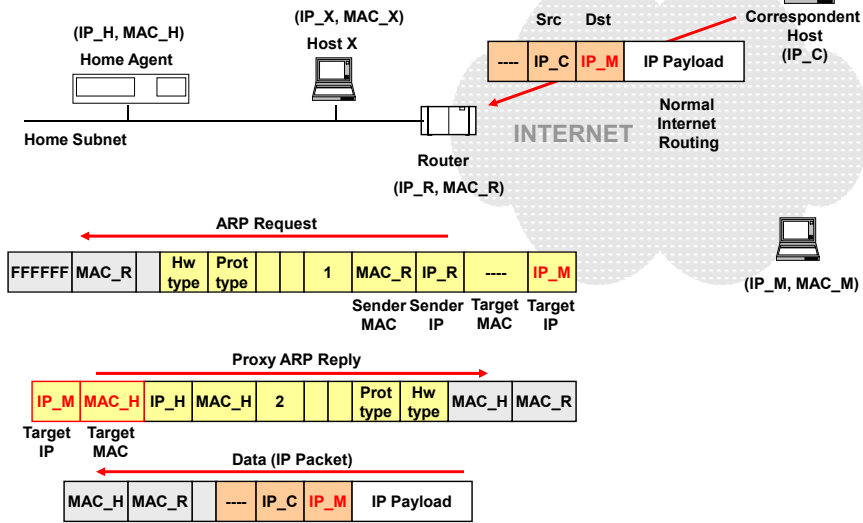


# ARP Packet Format

Ether Type: 0x8006 ARP protocol  
 Op Field: 1 – ARP Request  
 2 – ARP Reply



# Example: Proxy ARP

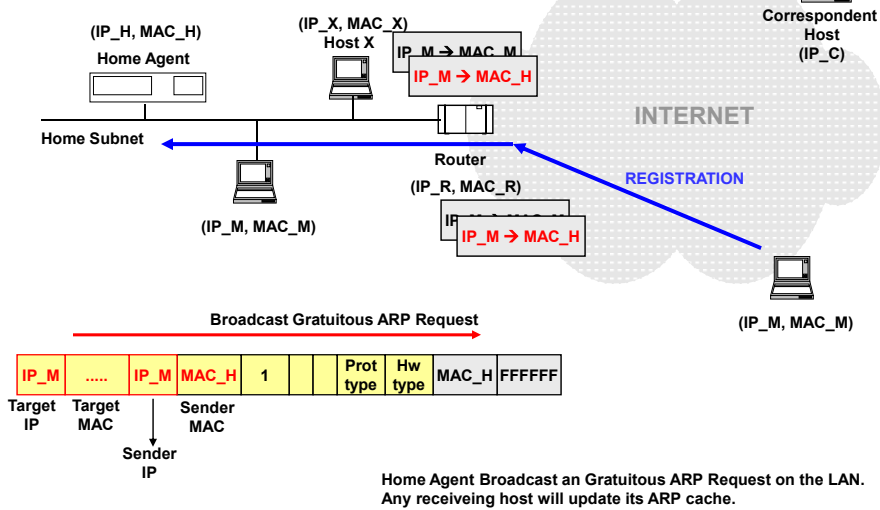


6/1/2009CS 515

© Ibrahim Körpeoğlu

67

# Example: Gratuitous ARP



6/1/2009CS 515

© Ibrahim Körpeoğlu

68

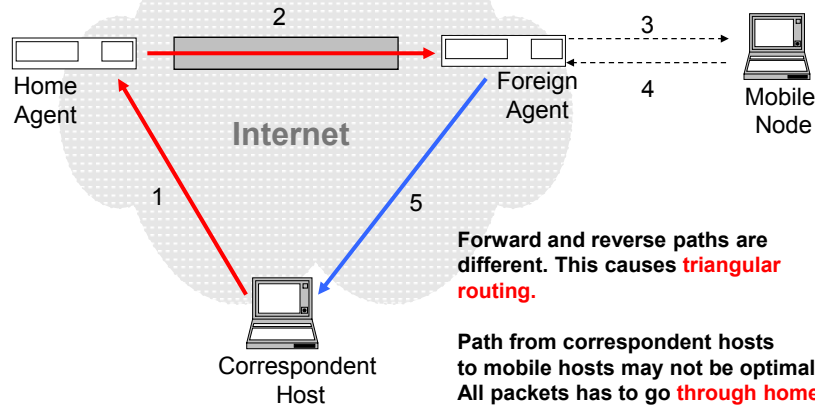
# Route Optimization in Mobile IP

6/1/2009

Dr. Ashraf S. Hasan Mahmoudibrahim  
Körpeoğlu

69

## Triangular Routing



6/1/2009CS 515

© Ibrahim Körpeoğlu

70

## Solution Approach

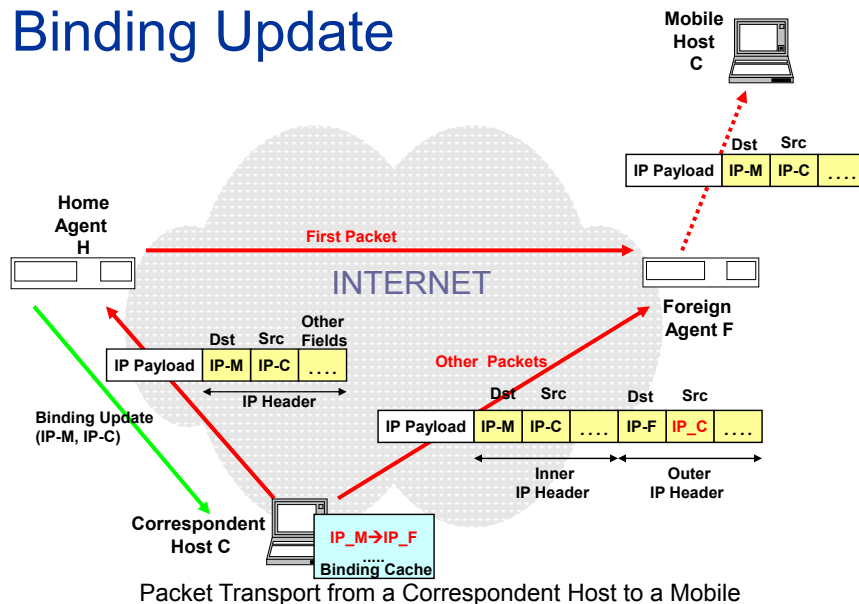
If the COA is a colocated address, the CN sends directly to the mobile host (no FA intervention)  
Else  
The en/de-capsulation are used and the tunnel ends at the FA

- Let the correspondent hosts know the current mobility binding or just binding (home address → care-of-address mapping) for mobile hosts.
  - They will **store this binding**.
  - They will use this binding to **directly send the packets** to the current location of the mobile.
  - They will again use encapsulation since the care-of-address may not be always colocated at the mobile node (foreign agent should decapsulate).
  - The **encapsulated packets** will go to the care-of-address directly without going through the home agent.
  - Correspondent hosts should support the binding protocol: Need for **modification at correspondent hosts!**.

## Binding Update

- How does a correspondent host will learn the current binding for the mobile node?
  - Let the mobile node inform the correspondent host!
    - For example when it receives a packet from a correspondent host
  - Let the home agent inform the correspondent host.
    - This is the method chosen, since it is **easier to establish security association** between a home agent and a correspondent host (Binding update should be secure so the malicious users can not send binding updates to the correspondent hosts without **authenticating** themselves).

## Binding Update



6/1/2009CS 515

© Ibrahim Körpeoğlu

73

## Binding Warning/Request

- A correspondent host may request a binding Update message from Home agent.
  - Correspondent host sends a **Binding Request** message and waits for a Binding Update Message.
- A mobile node may warn a Home agent (or some other agent) to send a **Binding Update** message to a particular host (a correspondent host or to some other host).
  - Mobile node sends a **Binding Warning** message.
  - Binding warning message include the host IP address (called target address field) to where an Update will be sent.
- A host receiving a **Binding Update** message should send back a **Binding Acknowledgement** message.
  - The sender of Binding Update may retransmit Binding Update if it did not received a Binding Acknowledgement message. The retransmission should occur after a backoff time.
- All binding messages are **sent over UDP**.

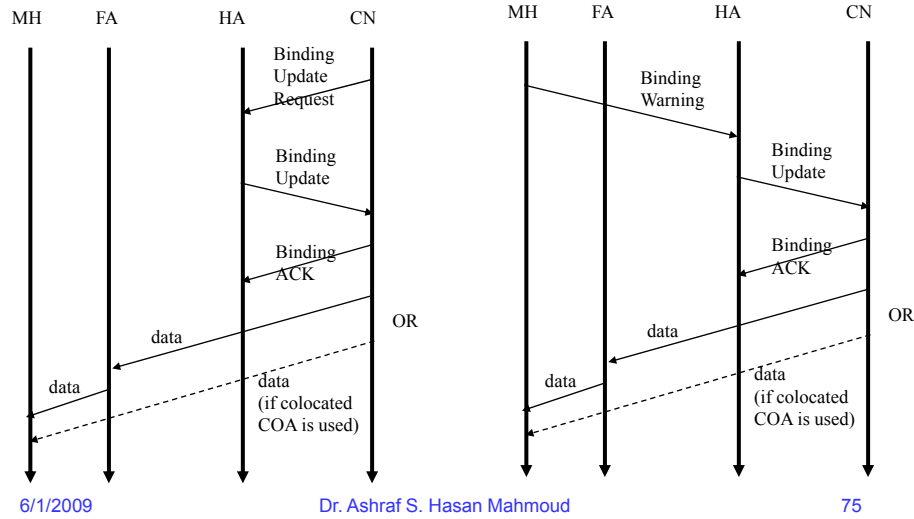
6/1/2009CS 515

© Ibrahim Körpeoğlu

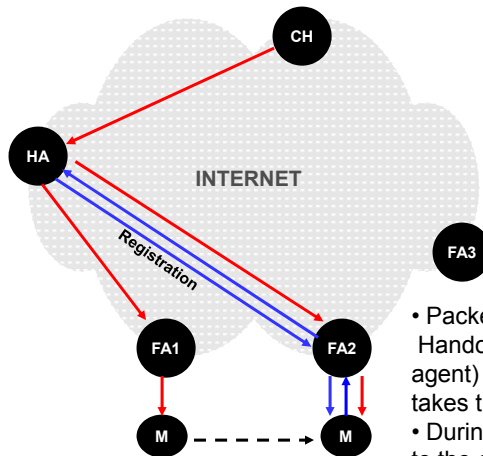
74

- Questions:
1. Why should CN continue to do IP encapsulation?
  2. What are the modifications at the CN required for this Binding update method to work?

## Binding Update/Request/Warning

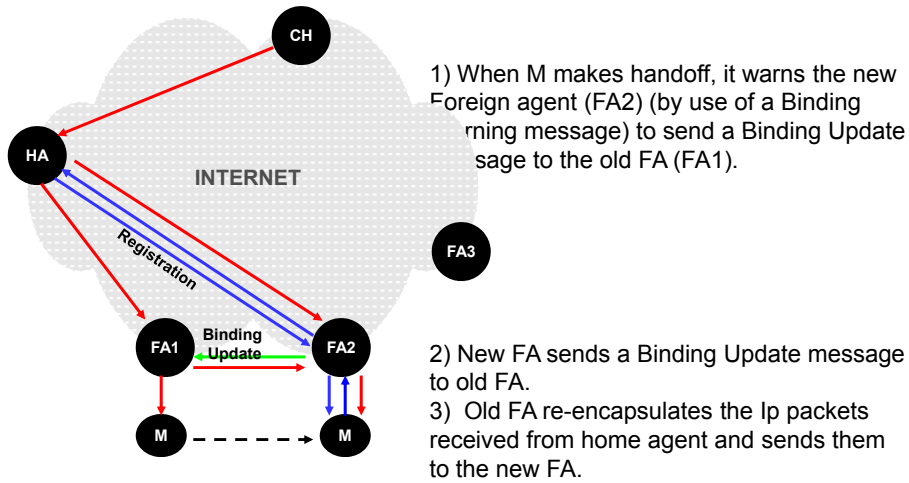


## Smooth Handoffs



- Packets may be dropped during handoffs. Handoff to a new base station (or foreign agent) and registration with home agent takes time.
- During this time, packets will be forwarded to the old base station (FA), where the mobile node moved away from.

## Smooth Handoffs



6/1/2009CS 515

© Ibrahim Körpeoğlu

77

## Supporting Fast Handoffs in Mobile IP

6/1/2009

Dr. Ashraf S. Hasan MahmoudIbrahim  
Körpeoğlu

78

## Fast Handoffs

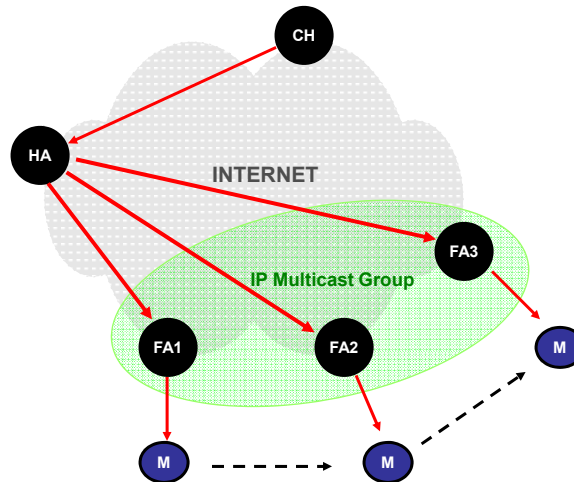
- For highly mobile users, handoffs will be too frequent. Implications of this:
  - Handoffs should be very fast in order to minimize packet delays and packet losses.
  - Registration will be too frequent:
    - Registration causes delay
    - Registration causes extra signaling (control) traffic in the wireless link and infrastructure.
- Two solution approaches to support fast handoffs:
  - Use of IP **multicasting**
  - Use of **hierarchical foreign agents**.

## Use of IP Multicasting

- A collection of foreign agents in the vicinity of each other join to a multicast group. The group will have a multicast IP address.
- Mobile node will use this multicast IP address as the care-of-address.
- The home agent will send the encapsulated packets for the mobile to this multicast IP address.
- Foreign agents in the multicast group will **buffer the received encapsulated IP packets** for a while before discarding
  - In this way, when a mobile handoffs from one FA to an other FA (in the same multicast group), it will be able to recover the packets transmitted during handoff from the new FA.



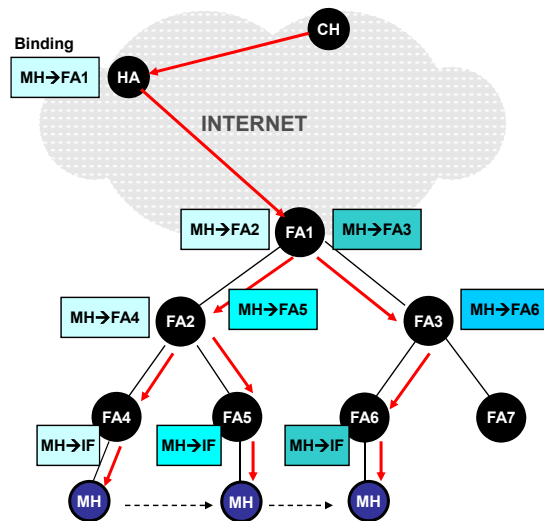
## Use of IP Multicasting



## Hierarchical Foreign Agents

- Uses a hierarchy of foreign agents between mobile node and home agent.
- **Aims is to localize handoffs and registration.**
- The hierarchy could be consisting of for example:
  - Base stations (access points) at the lowest level – leaf.
  - Intermediate routers between base stations and campus edge routers in a campus.
  - Campus edge router at the highest level (root) of the foreign agent hierarchy.

## Hierarchical Foreign Agents



6/1/2009CS 515

© Ibrahim Körpeoğlu

83

## Hierarchical Foreign Agents

- The following functions of Mobile IP is enhanced:
  - Agent Advertisements
  - Registration
  - Data Forwarding

6/1/2009CS 515

© Ibrahim Körpeoğlu

84

# Agent Advertisements

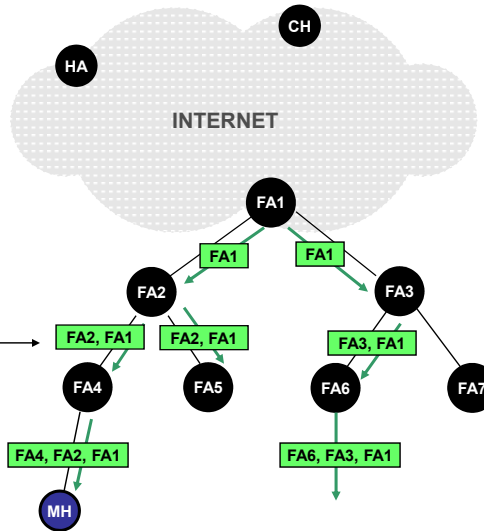
Mobility Agent Extension to ICMP Router Advertisement

Type	Length	Sequence Number
Lifetime	Flags	Reserved
Zero or more care-of-addresses		
.....		

Agent Advertisement message  
Care-of-Address field content

In a message, FAx denotes the IP address of Foreign Agent X.

ICMP extension  
-I bit (flag) – indicates a hierarchy of COAs



6/1/2009CS 515

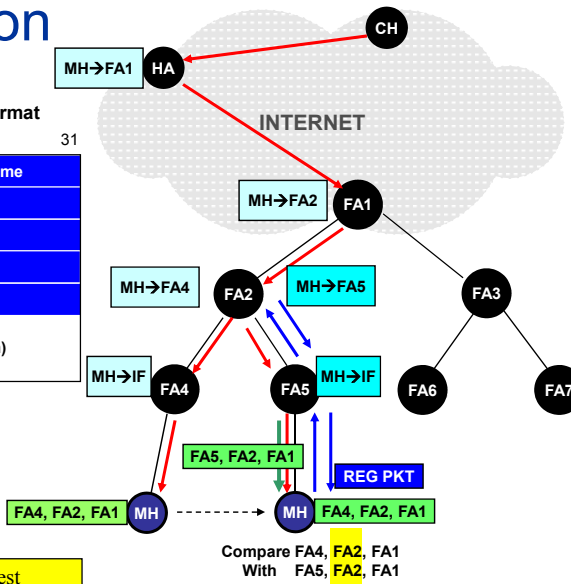
© Ibrahim Körpeoğlu

85

# Registration

Registration Request Format

Type	Flags	Lifetime
Home address= <b>MH</b>		
Home agent= <b>FA2</b>		
Care-of-address= <b>FA2</b>		
Identification		
Extensions (Authentication Extension)		
.....		



REGIONAL Registration Request  
- Sequence of tunnels  
- Home agent: closest common ancestor

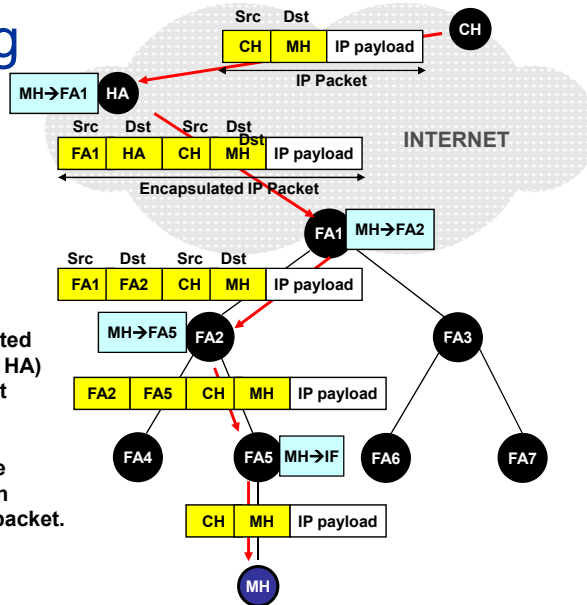
© Ibrahim Körpeoğlu

86

# Forwarding

Each FA takes an encapsulated packet from previous FA (or HA) and **recapsulates** the packet to be sent to the next FA.

If an FA is the **final FA** on the way to the mobile node, then it **does not recapsulate** the packet.



---

# BACKUP SLIDES

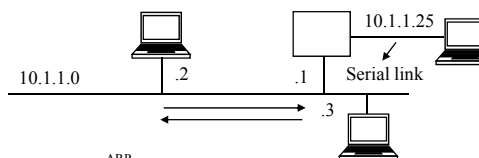
# ARP

	6	6	2	2	2	1	1	2	6	4	6	4
Ethernet DA	Ethernet SA	Frame Type	Hard type	Prot type	Hard size	Prot size	Op	Sender Ethernet Add	Sender IP Add	Target Ethernet Add	Target IP Add	

Ethernet DA: 255.255.255.255  
 Ethernet SA:  
 Sender Ethernet Add:  
 Sender IP Add:  
 Target Ethernet Add:  
 Target IP Add:  
 Frame Type:

0x0800 IP  
 0x0806 ARP  
 0x8035 RARP

Hardware Type: 1 Ethernet  
 Protocol Type: 0x0800 IP  
 Hardware size: 6 Ethernet MAC address length  
 Protocol size: 4 IP address length  
 OP: 1 ARP REQ  
       2 ARP REP  
       3 RARP REQ  
       4 RARP REP



**ARP**  
 10.1.1.2 broadcasts ARP REQ towards 10.1.1.3  
 10.1.1.3 sends ARP REP to 10.1.1.2

**ARP Proxy**  
 10.1.1.2 broadcasts ARP REQ for 10.1.1.25  
 The router 10.1.1.1 does proxy ARP for the candidate 10.1.1.25, and returns its own ethernet MAC address.

**Gratuitous ARP**  
 10.1.1.2 broadcasts ARP REQ for 10.1.1.2  
 All nodes on the subnet updates their ARP cache with the new Target ethernet address

**ARP Cache**  
 Expires after 20 minutes in BSD

**Reverse ARP**  
 Diskless systems use RARP to get its IP address from RARP server on the network during bootstrap time

6/1/2009

By Prof. M. Jaseemuddin @ <http://www.ee.ryerson.ca/~jaseem/>

89