

KING FAHD UNIVERSITY OF PETROLEUM & MINERALS
ELECTRICAL ENGINEERING DEPARTMENT

Dr. Ibrahim O. Habiballah

EE-306

Key Solution

Quiz 3

Sec.: 6

I.D.:

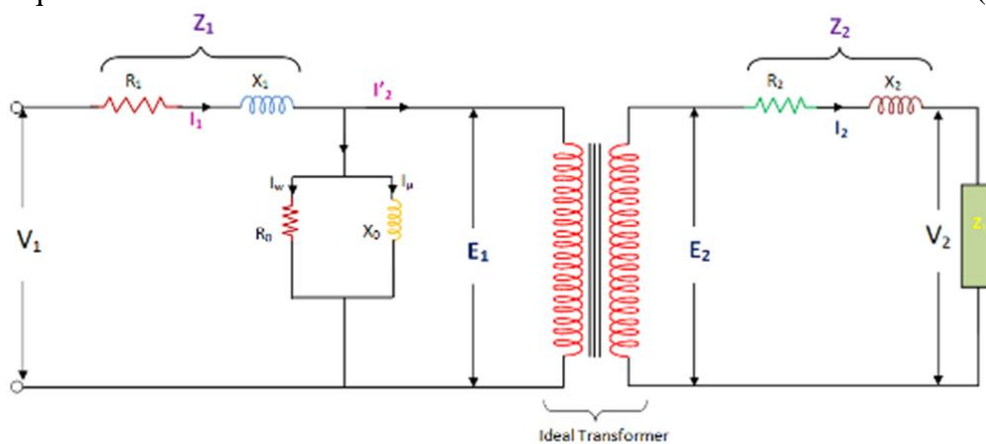
Ser#:

Name:

Q.1 For a non-ideal transformer connected to a resistive load, (3-points)

- a. The power factor of the primary is unity.
- b. The power factor of the primary is inductive.
- c. The power factor of the primary is capacitive.

Q.2 The equivalent circuit of a non-ideal transformer shown below is for (3-points)



- a. the exact model referred to the primary side.
- b. the approximate model with excitation branch referred to the primary side.
- c. the approximate model without excitation branch referred to primary side.
- d. Non of the above

Q.3 The A transformer has copper loss at full-load = 1000-W. The copper loss at 70 % of full-load is (4-points)

- a. 300-W
- b. 490-W
- c. 700-W