

KING FAHD UNIVERSITY OF PETROLEUM & MINERALS
ELECTRICAL ENGINEERING DEPARTMENT

Dr. Ibrahim O. Habiballah

EE-306

Key Solution

Quiz 6 Sec.: I.D.: Ser#: Name:

Circle the correct answer.

1) Polyphase induction machines are also known as asynchronous machines. (2 Marks)

- a. True.
- b. False.**

2) Armature and field windings in induction machines are 3-phase AC windings. (2 Marks)

- a. True.
- b. False.**

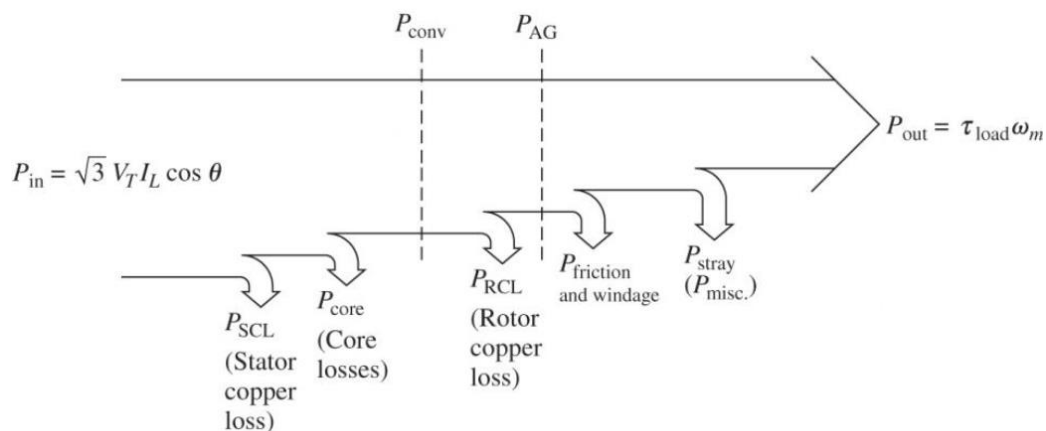
3) Squirrel cage rotor in polyphase IM is used in applications where starting torque can be changed. (2 Marks)

- a. True.
- b. False.**

4) Breakdown torque in 3-phase IM take place when the slip is larger than one. (2 Marks)

- a. True.
- b. False.**

5) Power Flow Diagram shown below is for 3-phase induction motor. (2 Marks)



- a. True.
- b. False.**