

## EE 201 Assignment # 3

Dr. H. M. Masoudi

Use Multisim Software to calculate the voltage  $v_o$  in the Op-Amp circuit shown below, if  $v_s$  is equal 1 V.

*Hint: The Op-Amp element can be found in the Analog Devices section (Fifth button from the top of the components bar). Use OPAMP3\_Virtual.*

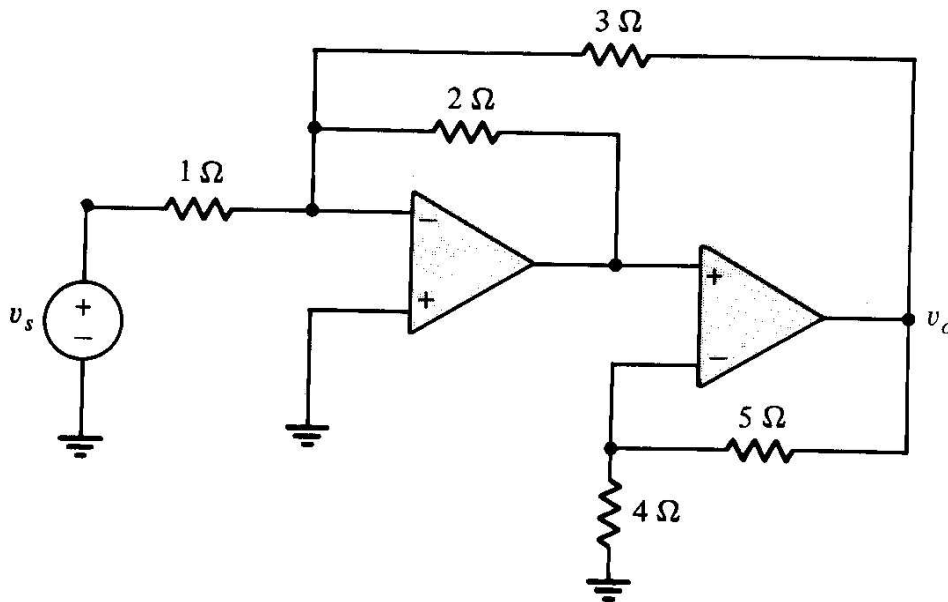


FIG. P3.4.4