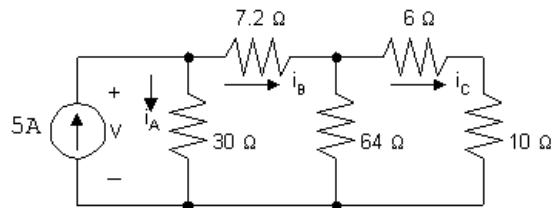


EE 202-HW 2, Due Monday, October 1st, 2012

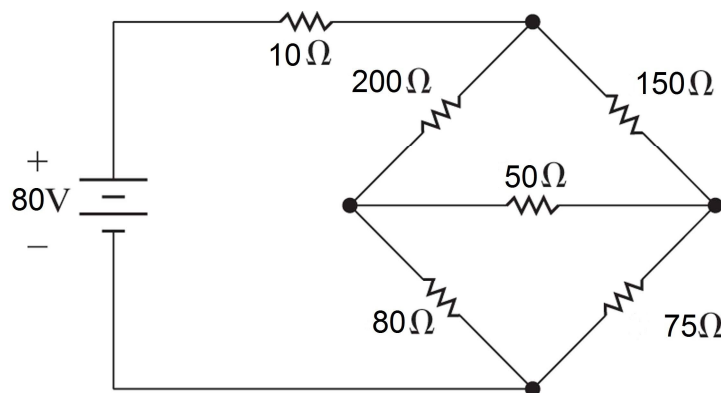
Prepared by: Dr. Samir H. Abdul-Jauwad

Problem 1:



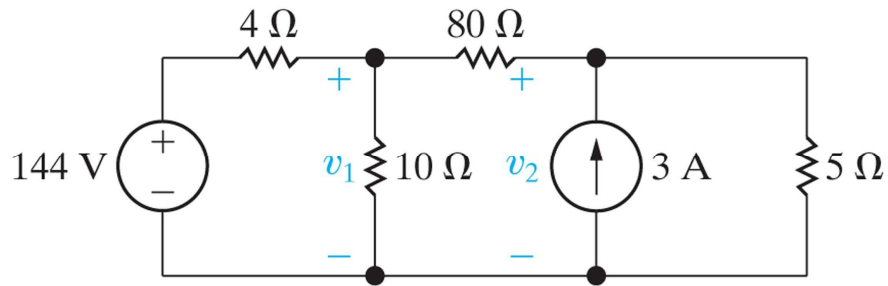
- Find the value of the resistance seen by the current source.
- Find the power delivered by the current source.
- Find the power dissipated by the 10 Ohm resistor.

Problem 2:



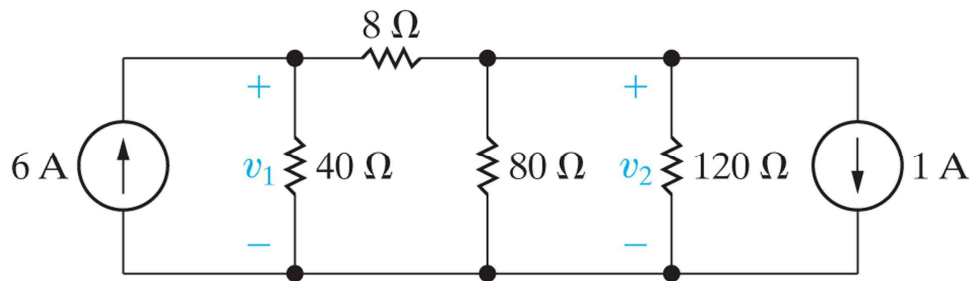
Using Mesh Analysis, find the total power dissipated by the resistors.

Problem 3



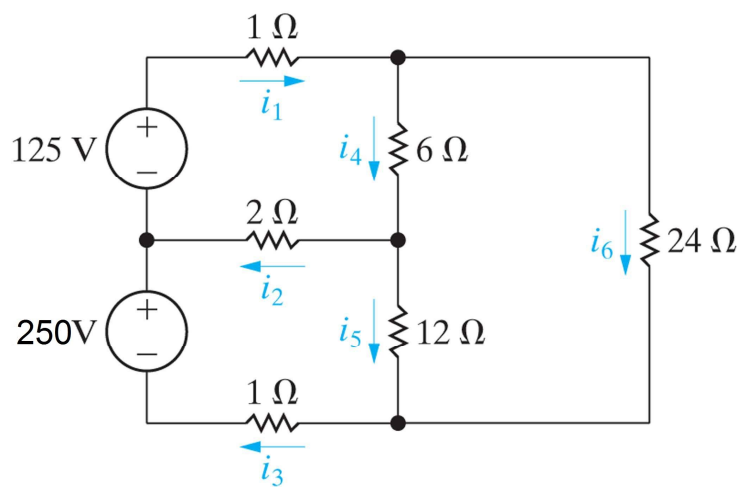
Use Nodal Analysis and source transformation to find v_1 and v_2 .

Problem 4



Use Nodal Analysis to find v_1 and v_2 .

Problem 5



Find all currents using mesh analysis