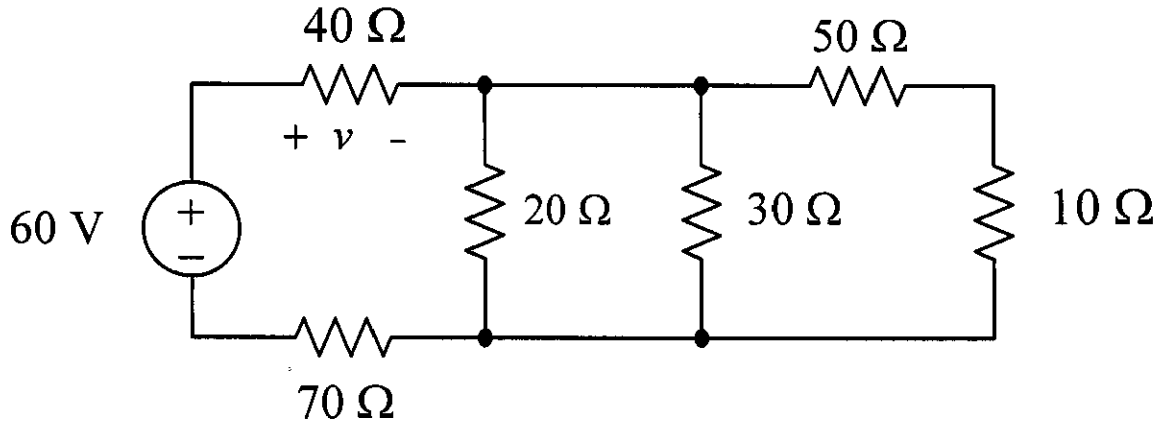


EE 207-05 – Winter 2012(112)  
Quiz 1

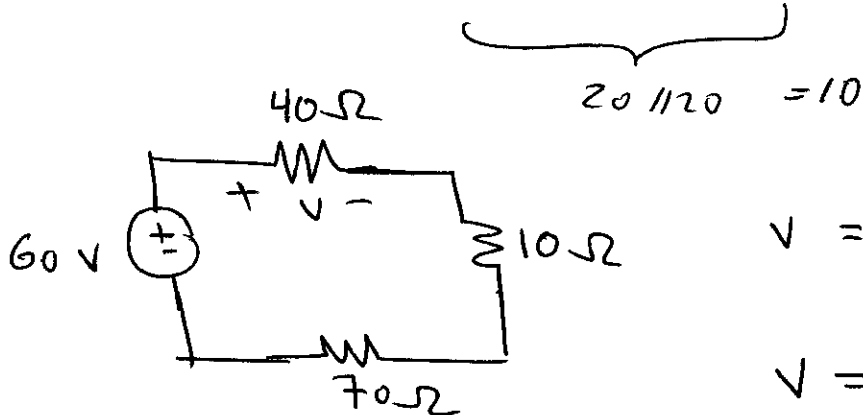
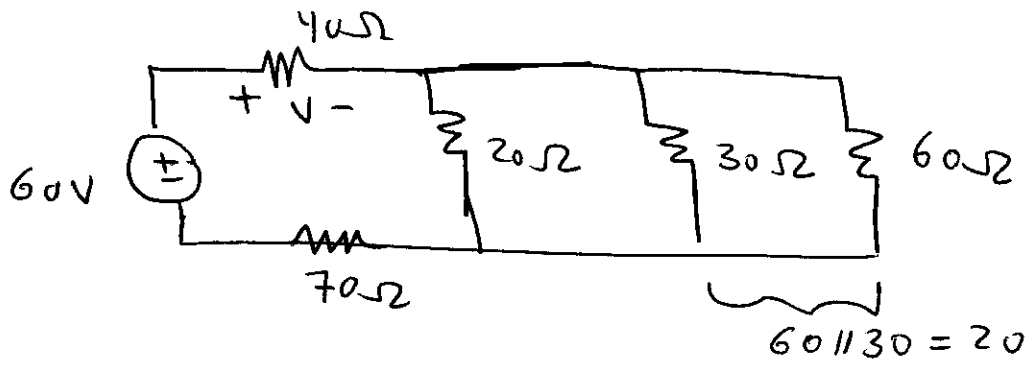
SER	ID	NAME <b>KEY</b>
-----	----	-----------------



For the circuit shown above, using the voltage division method find the voltage across the  $40\ \Omega$ ,  $v$  ?

Solution

Combining Resistors



$$v = \frac{40}{40 + 10 + 70} \cdot 60$$

$$v = 20\text{ V}$$