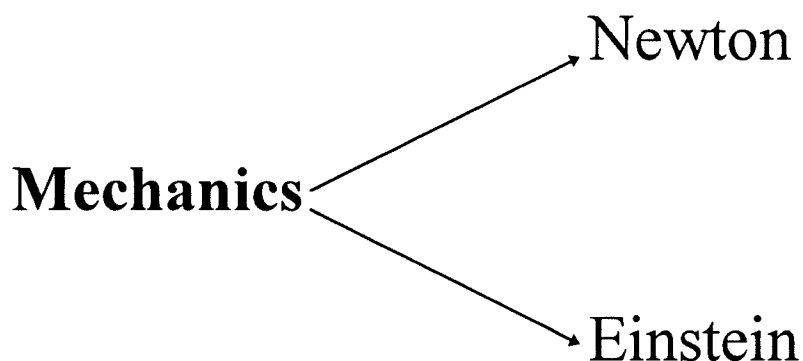


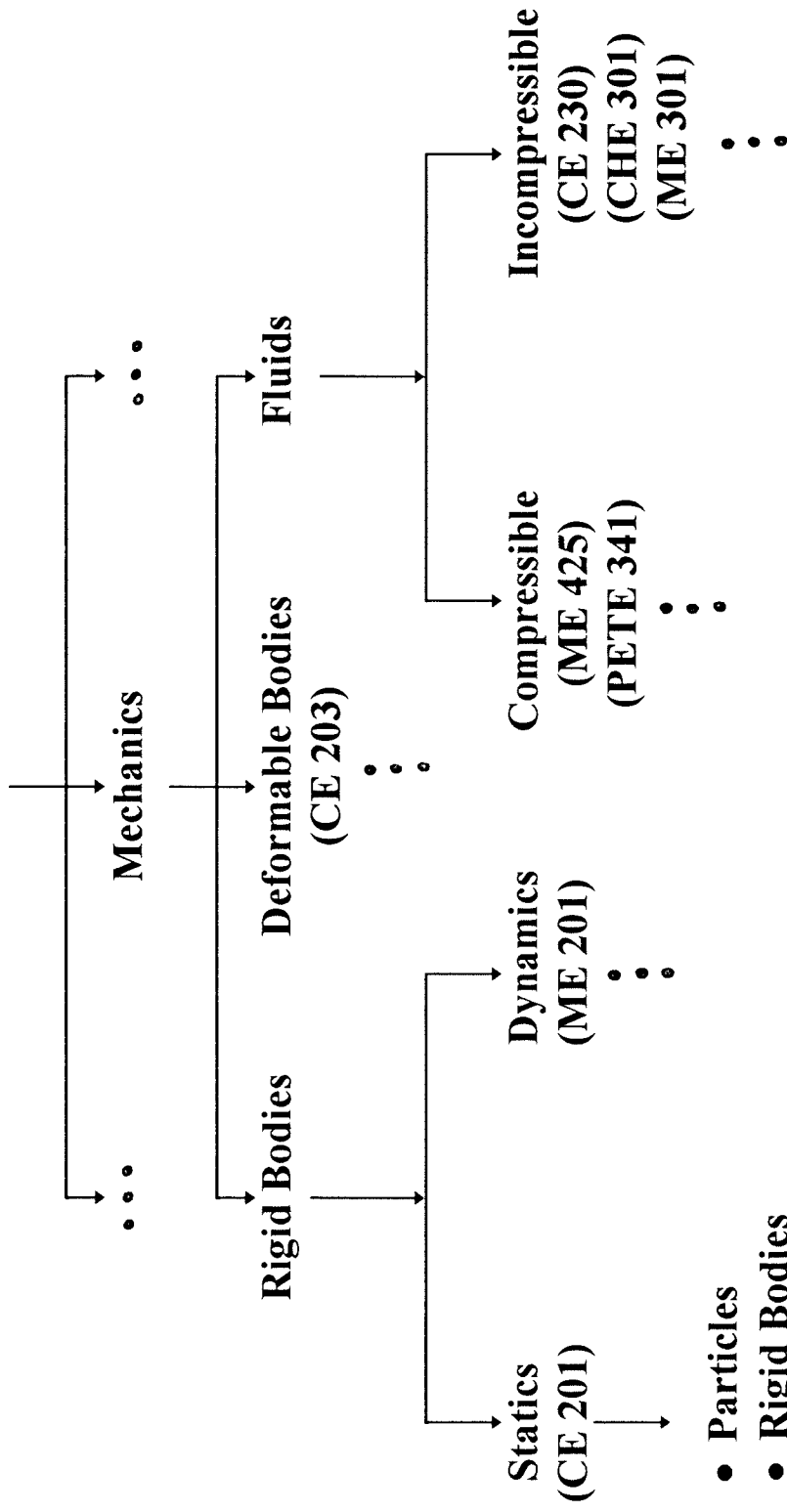
Mechanics:

The science which describes and predicts the conditions of rest or motion of bodies under the action of forces.

Mechanics = Applied Science (neither empirical nor abstract [pure] ; it is in-between.)



Science



- * Structural mechanics
- * Mechanics of Materials * ←
- * Strength of materials * ←
- * Solid mechanics
- * Mechanics of deformable bodies
- * Engineering mechanics of Solids
- ⋮
- etc.

The "titles" above are (almost) synonyms, but the most common names for this subject are

Mechanics of materials
and
Strength of materials

→ Mechanics of materials "may" be defined as the branch of mechanics that studies the relationships between the external loads applied to a (deformable) body and the intensity of the internal forces acting within the body.

* The definition above can be rephrased in different ways.