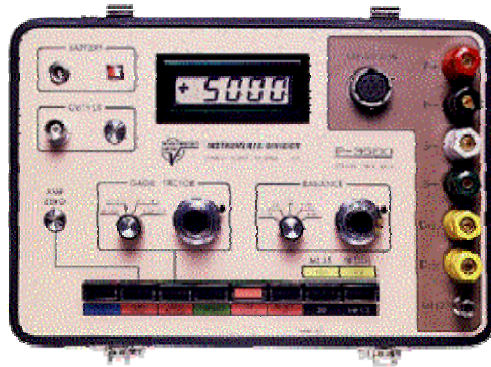


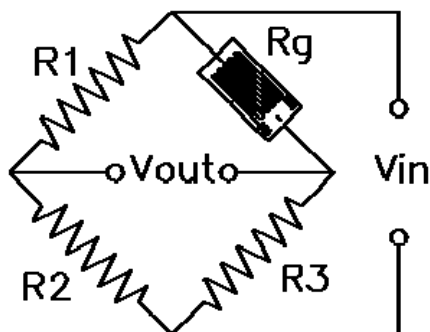
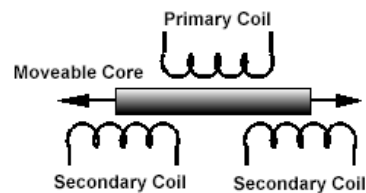
**King Fahd University of Petroleum and Minerals**  
UNIVERSITY DIPLOMA PROGRAM  
ELECTRONIC EQUIPMENT MAINTENANCE



**EET - 027**  
**ELECTRONICS**  
**INSTRUMENTATION**

**LAB MANUAL**

**Term-052**



Lab Instructor  
**MUHAMMAD AJMAL KHAN**  
Lecturer  
Electrical Engineering Department

## TABLE OF CONTENTS

- Experiment # 1:** Study and Identification of Various Sensors
- Experiment # 2:** Verify Ohm's Law and Balanced Bridge Circuit
- Experiment # 3:** Wheatstone Bridge Circuit and Measurement of Resistance using Wheatstone Bridge equipment
- Experiment # 4:** Material Behavior
- Experiment # 5:** Thermocouple Voltage Measurement
- Experiment # 6:** Strain Gauge Application and Measurement of Unknown Load
- Experiment # 7:** Strain Gauge Measurement using Strain Indicator
- Experiment # 8:** Strain Gauge Measurement by Applying Displacement using Strain Indicator
- Experiment # 9:** Linear Variable Differential Transformer Measurements
- Experiment # 10:** X-Y Recorder
- Experiment # 11:** Event Counting using Slotted Opto Switch
- Experiment # 12:** PC-Based Data Logging