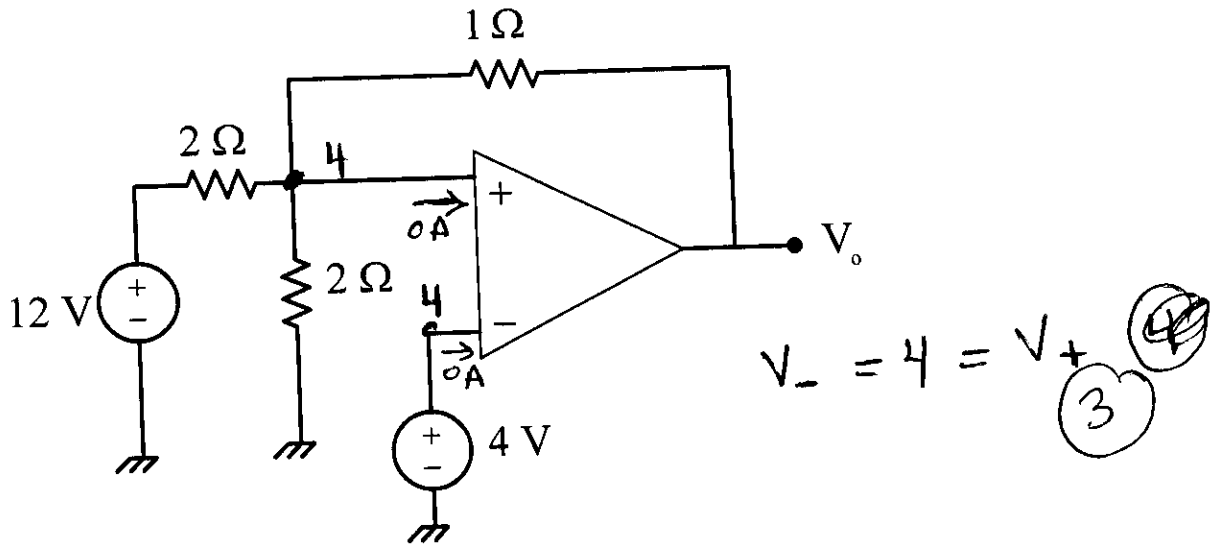


EE 201-06 – Winter 2012(112)
Quiz 4

SER	ID	NAME	KEY
-----	----	------	-----



For the OP-AMP circuit shown above, find V_o ?

kel at (+) terminal,

$$\frac{12 - 4}{2} = \frac{4}{2} + \frac{4 - V_o}{1} \quad (5)$$

$$4 = 2 + 4 - V_o$$

$$\Rightarrow \boxed{V_o = 2V} \quad (2)$$