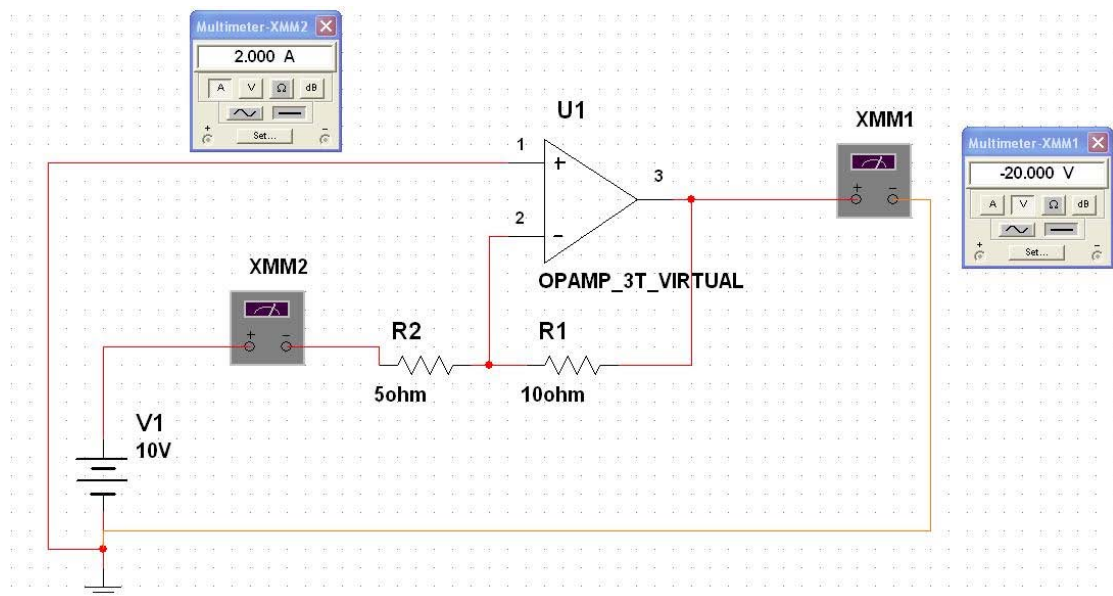
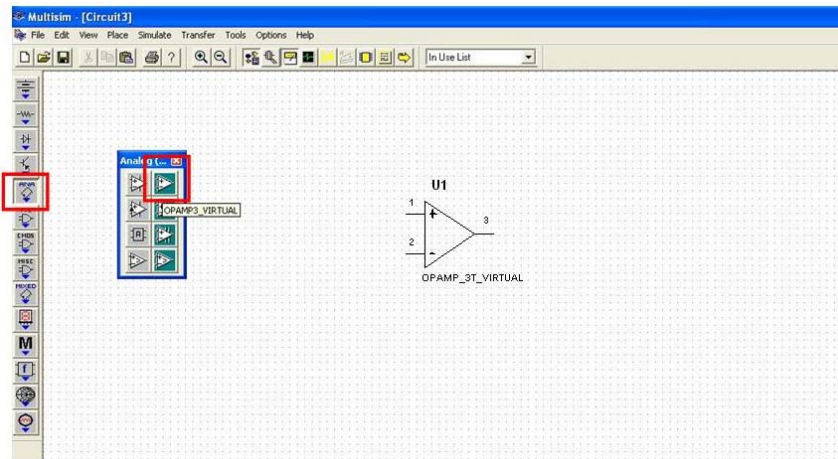


EE 201 Fall 2011(112)
Project 1
Dr. Adil S. Balghonaim

You can use Multisim to simulate OP-Amp circuit as follows:



Assignment

Using Multisim , simulate the followings Assigment problems from Nilsson Book

- (1) Assessment problem 5.3 (a) (page 175)
- (2) Assessment problem 5.4 (a) (page 176)