

The Karnaugh Map

COE 202

Digital Logic Design

Dr. Muhamed Mudawar

King Fahd University of Petroleum and Minerals

Presentation Outline

- ❖ Boolean Function Minimization
- ❖ The Karnaugh Map (K-Map)
- ❖ Two, Three, and Four-Variable K-Maps
- ❖ Prime and Essential Prime Implicants
- ❖ Minimal Sum-of-Products and Product-of-Sums
- ❖ Don't Cares
- ❖ Five and Six-Variable K-Maps
- ❖ Multiple Outputs

Boolean Function Minimization

- ❖ Complexity of a Boolean function is directly related to the complexity of the algebraic expression
- ❖ The truth table of a function is unique
- ❖ However, the algebraic expression is not unique
- ❖ Boolean function can be simplified by algebraic manipulation
- ❖ However, algebraic manipulation depends on experience
- ❖ Algebraic manipulation does not guarantee that the simplified Boolean expression is minimal

Example: Sum of Minterms

Truth Table

x	y	z	f	Minterm
0	0	0	0	
0	0	1	1	$m_1 = x'y'z$
0	1	0	1	$m_2 = x'yz'$
0	1	1	1	$m_3 = x'yz$
1	0	0	0	
1	0	1	1	$m_5 = xy'z$
1	1	0	0	
1	1	1	1	$m_7 = xyz$

Focus on the '1' entries

$$f = m_1 + m_2 + m_3 + m_5 + m_7$$

$$f = \sum (1, 2, 3, 5, 7)$$

$$f = x'y'z + x'yz' + x'yz + xy'z + xyz$$

❖ Sum-of-Minterms has 15 literals → Can be simplified

Algebraic Manipulation

❖ **Simplify:** $f = x'y'z + x'yz' + x'yz + xy'z + xyz$ (15 literals)

$$f = x'y'z + x'yz' + x'yz + xy'z + xyz \quad \text{(Sum-of-Minterms)}$$

$$f = x'y'z + x'yz + x'yz' + xy'z + xyz \quad \text{Reorder}$$

$$f = x'z(y' + y) + x'yz' + xz(y' + y) \quad \text{Distributive } \cdot \text{ over } +$$

$$f = x'z + x'yz' + xz \quad \text{Simplify (7 literals)}$$

$$f = x'z + xz + x'yz' \quad \text{Reorder}$$

$$f = (x' + x)z + x'yz' \quad \text{Distributive } \cdot \text{ over } +$$

$$f = z + x'yz' \quad \text{Simplify (4 literals)}$$

$$f = (z + x'y)(z + z') \quad \text{Distributive } + \text{ over } \cdot$$

$$f = z + x'y \quad \text{Simplify (3 literals)}$$

Drawback of Algebraic Manipulation

- ❖ No clear steps in the manipulation process
 - ✧ Not clear which terms should be grouped together
 - ✧ Not clear which property of Boolean algebra should be used next
- ❖ Does not always guarantee a minimal expression
 - ✧ Simplified expression may or may not be minimal
 - ✧ Different steps might lead to different non-minimal expressions
- ❖ However, the goal is to minimize a Boolean function
- ❖ Minimize the **number of literals** in the Boolean expression
 - ✧ The **literal count** is a good measure of the **cost** of logic implementation
 - ✧ Proportional to the number of transistors in the circuit implementation

Karnaugh Map

- ❖ Called also K-map for short
- ❖ The Karnaugh map is a diagram made up of squares
- ❖ It is a reorganized version of the truth table
- ❖ Each square in the Karnaugh map represents a minterm
- ❖ Adjacent squares differ in the value of one variable
- ❖ Simplified expressions can be derived from the Karnaugh map
 - ✧ By recognizing patterns of squares
- ❖ Simplified sum-of-products expression (AND-OR circuits)
- ❖ Simplified product-of-sums expression (OR-AND circuits)

Next . . .

- ❖ Boolean Function Minimization
- ❖ The Karnaugh Map (K-Map)
- ❖ Two, Three, and Four-Variable K-Maps
- ❖ Prime and Essential Prime Implicants
- ❖ Minimal Sum-of-Products and Product-of-Sums
- ❖ Don't Cares
- ❖ Five and Six-Variable K-Maps
- ❖ Multiple Outputs

Two-Variable Karnaugh Map

- ❖ Minterms m_0 and m_1 are adjacent (also, m_2 and m_3)
 - ✧ They differ in the value of variable y
- ❖ Minterms m_0 and m_2 are adjacent (also, m_1 and m_3)
 - ✧ They differ in the value of variable x

Two-variable K-map

	y	0	1
x	0	m_0	m_1
1		m_2	m_3

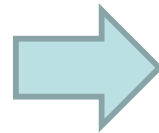
	y	0	1
x	0	$x' y'$	$x' y$
1		$x y'$	$x y$

From a Truth Table to Karnaugh Map

- ❖ Given a truth table, construct the corresponding K-map
- ❖ Copy the function values from the truth table into the K-map
- ❖ Make sure to copy each value into the proper K-map square

Truth Table

x	y	f
0	0	1
0	1	0
1	0	1
1	1	1



K-map

		y	
		0	1
x	0	1	0
	1	1	1

K-Map Function Minimization

❖ Two adjacent cells containing 1's can be combined

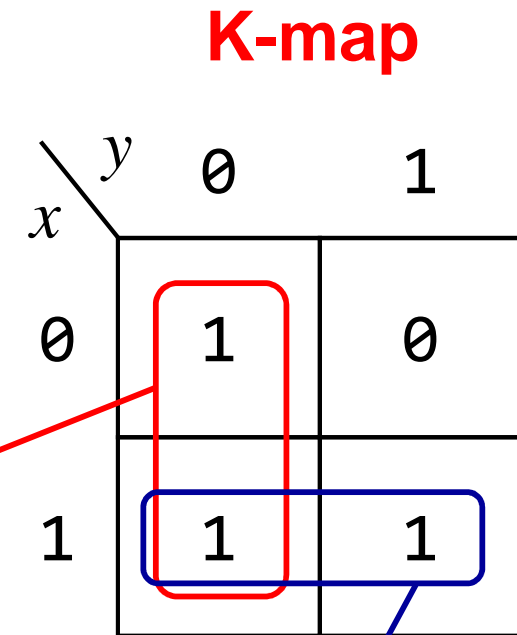
❖ $f = m_0 + m_2 + m_3$

❖ $f = x'y' + xy' + xy$ (6 literals)

❖ $m_0 + m_2 = x'y' + xy' = (x' + x)y' = y'$

❖ $m_2 + m_3 = xy' + xy = x(y' + y) = x$

❖ Therefore, f can be simplified as: $f = x + y'$ (2 literals)



Three-Variable Karnaugh Map

- ❖ Have eight squares (for the 8 minterms), numbered 0 to 7
- ❖ The last two columns are not in numeric order: 11, 10
 - ✧ Remember the numbering of the squares in the K-map
- ❖ Each square is adjacent to three other squares
- ❖ Minterms in adjacent squares can always be combined
 - ✧ This is the key idea that makes the K-map work
- ❖ Labeling of rows and columns is also useful

		yz			
		00	01	11	10
x	0	m_0	m_1	m_3	m_2
	1	m_4	m_5	m_7	m_6

		yz			
		00	01	11	10
x	x' 0	$x'y'z'$	$x'y'z$	$x'yz$	$x'yz'$
	x 1	$xy'z'$	$xy'z$	xyz	xyz'
		z'	z	z'	

Simplifying a Three-Variable Function

Simplify the Boolean function: $f(x, y, z) = \sum(3, 4, 5, 7)$

$$f = x'yz + xy'z' + xy'z + xyz \quad (12 \text{ literals})$$

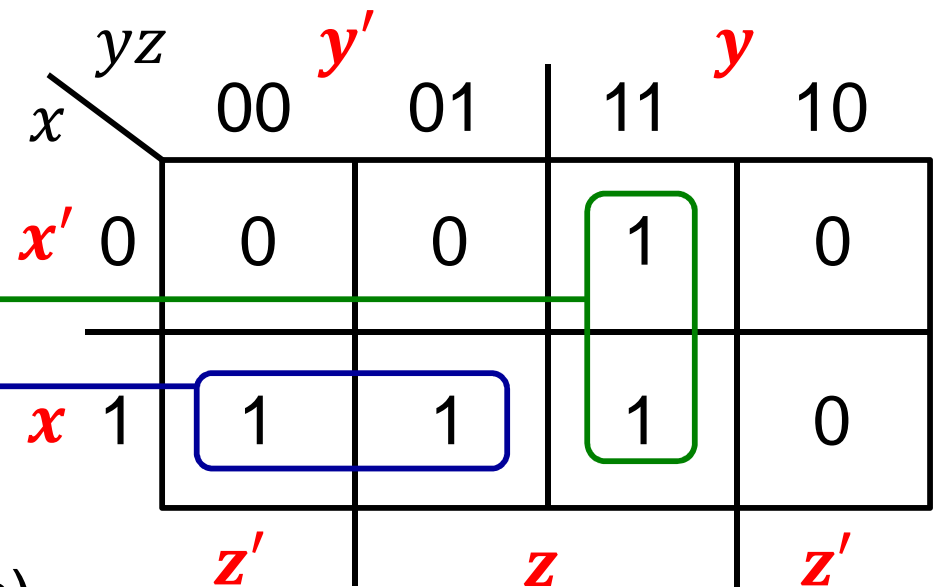
1. Mark '1' all the K-map squares that represent function f

2. Find possible adjacent squares

$$x'yz + xyz = (x' + x)yz = yz$$

$$xy'z' + xy'z = xy'(z' + z) = xy'$$

Therefore, $f = xy' + yz$ (4 literals)



Simplifying a Three-Variable Function (2)

Here is a second example: $f(x, y, z) = \sum(3, 4, 6, 7)$

$$f = x'yz + xy'z' + xyz' + xyz \quad (12 \text{ literals})$$

Learn the locations of the 8 indices based on the variable order

$$x'yz + xyz = (x' + x)yz = yz$$

Corner squares can be combined

$$xy'z' + xyz' = xz'(y' + y) = xz'$$

Therefore, $f = xz' + yz$ (4 literals)

x	yz	00	01	11	10
x'	0	0	0	1	0
x	1	1	0	1	1

Combining Squares on a 3-Variable K-Map

- ❖ By combining squares, we reduce number of literals in a product term, thereby reducing the cost
- ❖ On a 3-variable K-Map:
 - ✧ One square represents a minterm with 3 variables
 - ✧ Two adjacent squares represent a term with 2 variables
 - ✧ Four adjacent squares represent a term with 1 variable
 - ✧ Eight adjacent square is the constant '1' (no variables)

Example of Combining Squares

❖ Consider the Boolean function: $f(x, y, z) = \sum(2, 3, 5, 6, 7)$

❖ $f = x'yz' + x'yz + xy'z + xyz' + xyz$

❖ The four minterms that form the 2x2 red square are reduced to the term y

❖ The two minterms that form the blue rectangle are reduced to the term xz

❖ Therefore: $f = y + xz$

		y'		y	
	yz	00	01	11	10
x'	0	0	0	1	1
x	1	0	1	1	1
		z'	z	z'	

$$\begin{aligned}
 &x'yz + x'yz' + xyz + xyz' \\
 &= x'y(z + z') + xy(z + z') \\
 &= x'y + xy = (x' + x)y = y
 \end{aligned}$$

Minimal Sum-of-Products Expression

Consider the function: $f(x, y, z) = \sum(0, 1, 2, 4, 6, 7)$

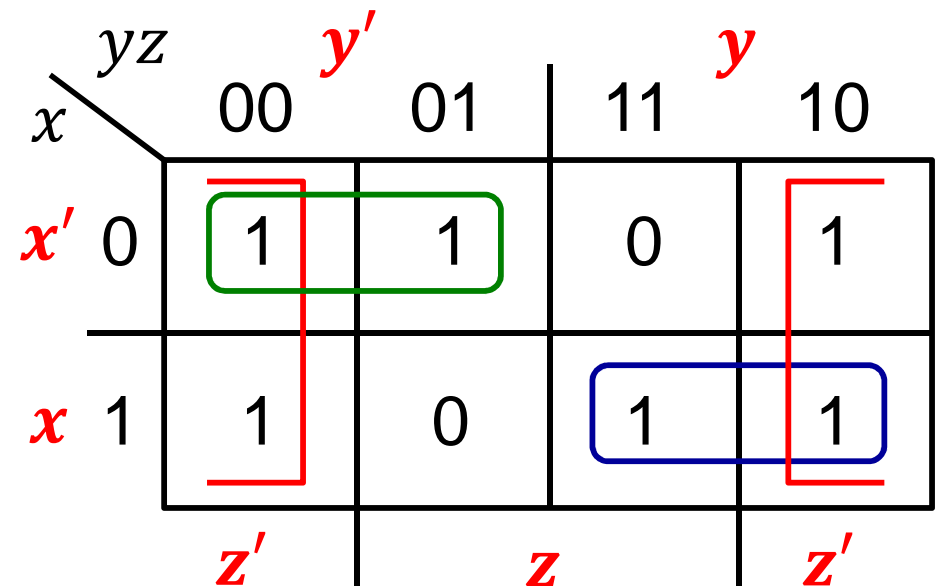
Find a minimal sum-of-products (SOP) expression

Solution:

Red block: term = z'

Green block: term = $x'y'$

Blue block: term = xy



Minimal sum-of-products: $f = z' + x'y' + xy$ (5 literals)

Four-Variable Karnaugh Map

4 variables → 16 squares

Remember the numbering of the squares in the K-map

Each square is adjacent to four other squares

$m_0 = w'x'y'z'$	$m_1 = w'x'y'z$
$m_2 = w'x'yz'$	$m_3 = w'x'yz$
$m_4 = w'xy'z'$	$m_5 = w'xy'z$
$m_6 = w'xyz'$	$m_7 = w'xyz$
$m_8 = wx'y'z'$	$m_9 = wx'y'z$
$m_{10} = wx'yz'$	$m_{11} = wx'yz$
$m_{12} = wxy'z'$	$m_{13} = wxy'z$
$m_{14} = wxyz'$	$m_{15} = wxyz$

Notice the order of Rows 11 and 10 and the order of columns 11 and 10

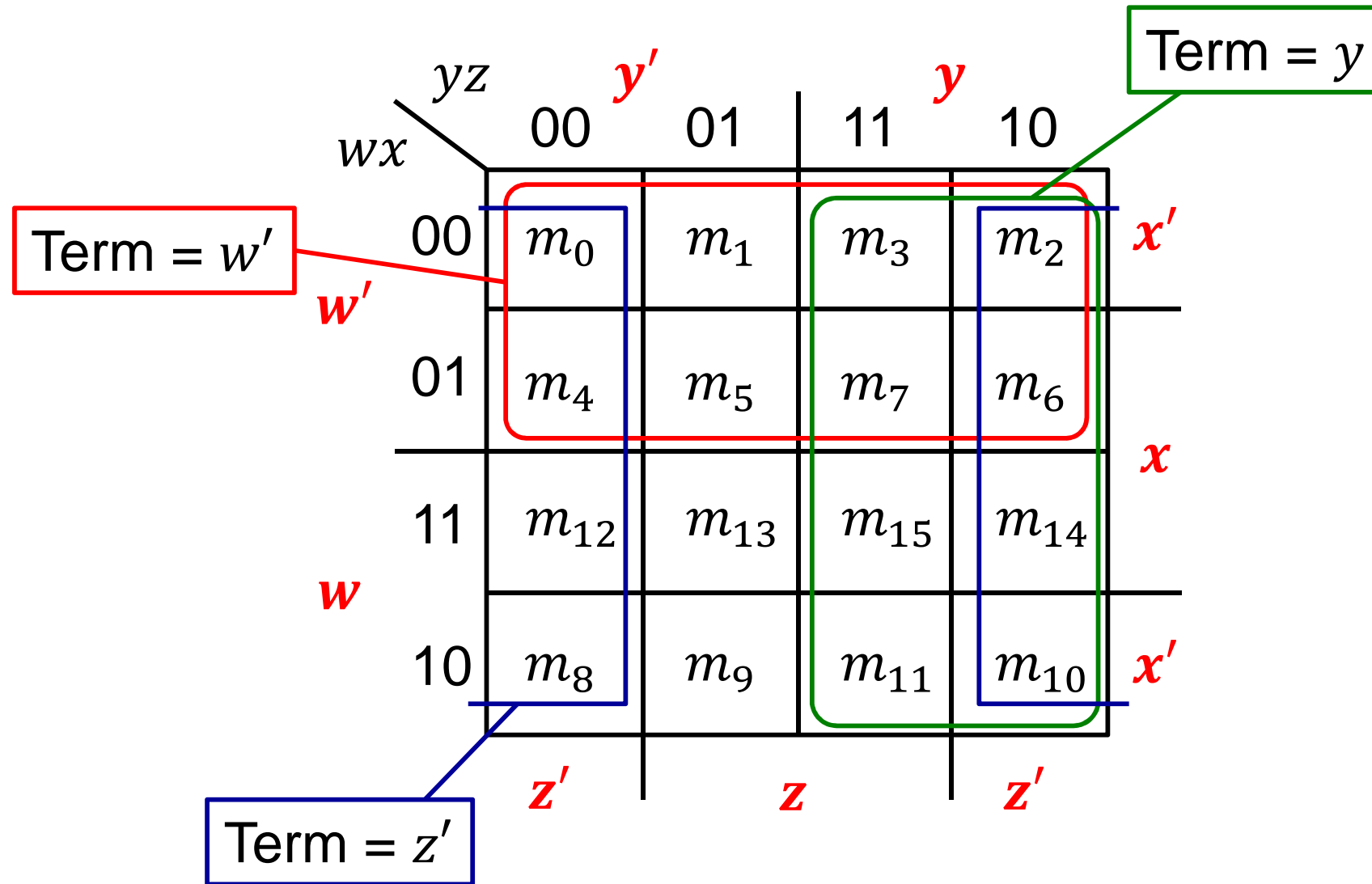
		yz				
		00 y'	01	11 y	10	
wx	00 w'	m_0	m_1	m_3	m_2	x'
	01	m_4	m_5	m_7	m_6	
w	11	m_{12}	m_{13}	m_{15}	m_{14}	x
	10	m_8	m_9	m_{11}	m_{10}	x'
		z'	z	z'		

Combining Squares on a 4-Variable K-Map

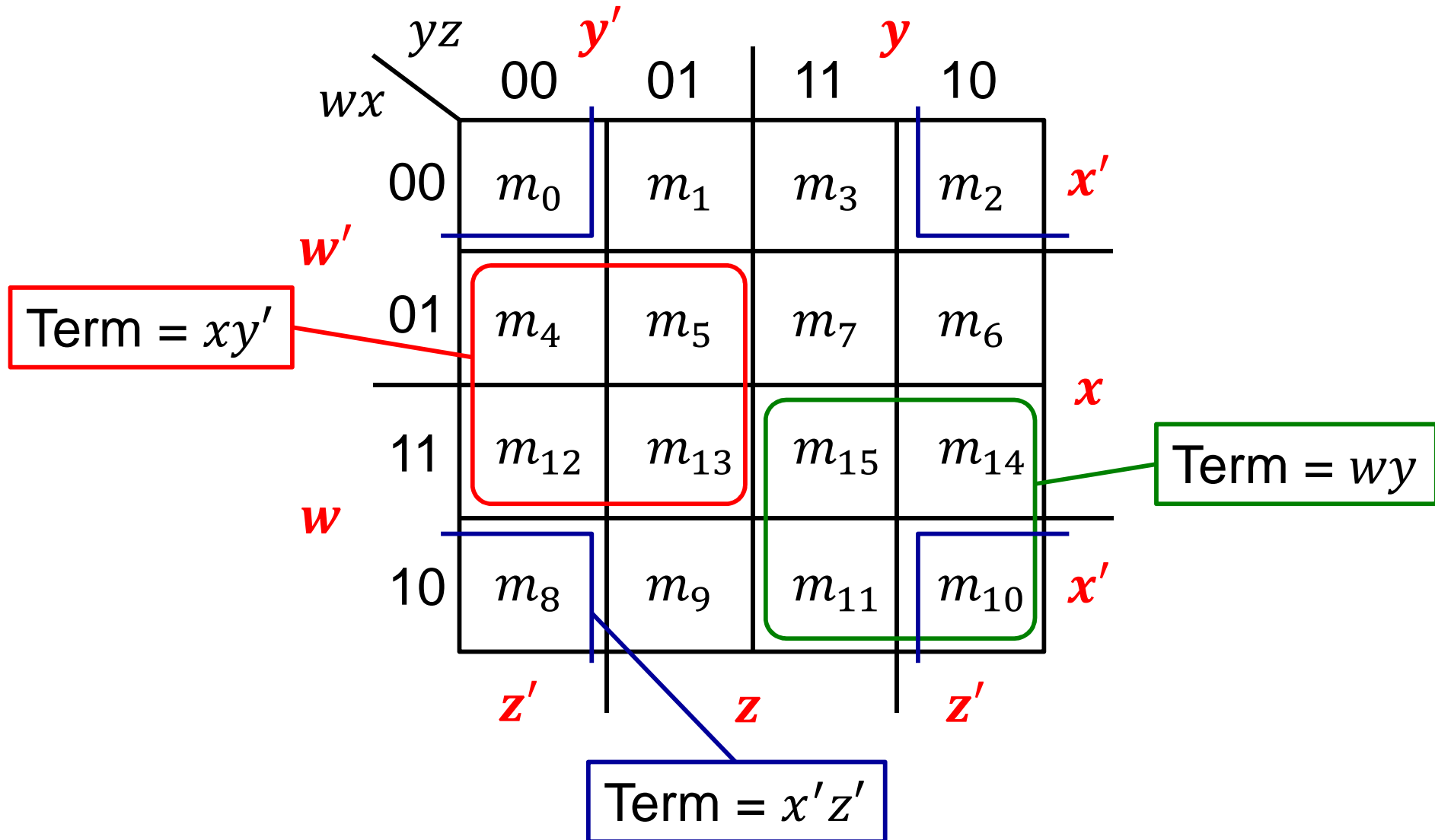
❖ On a 4-variable K-Map:

- ✧ One square represents a minterm with 4 variables
- ✧ Two adjacent squares represent a term with 3 variables
- ✧ Four adjacent squares represent a term with 2 variables
- ✧ Eight adjacent squares represent a term with 1 variable
- ✧ Combining all 16 squares is the constant '1' (no variables)

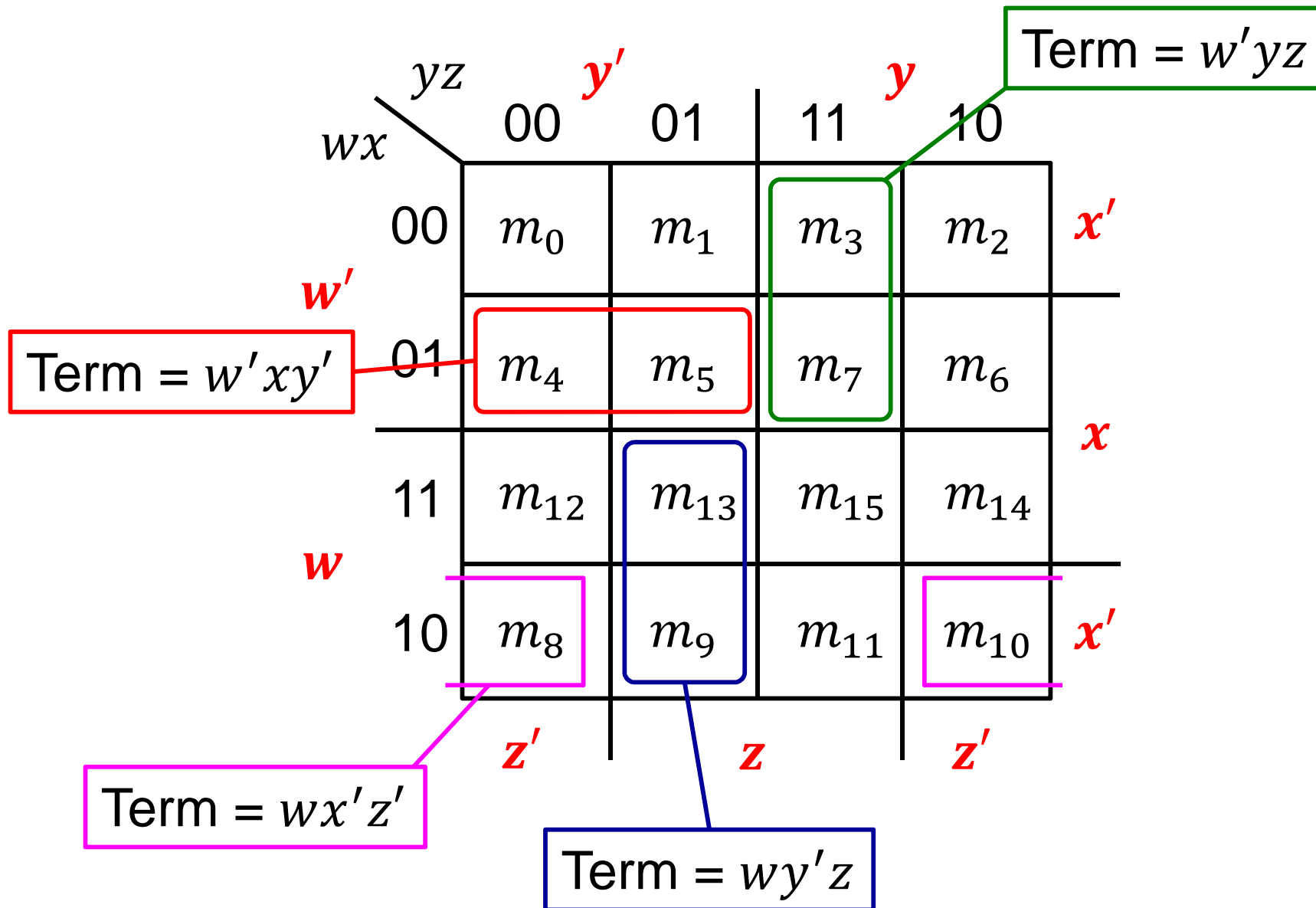
Combining Eight Squares



Combining Four Squares



Combining Two Squares



Simplifying a 4-Variable Function

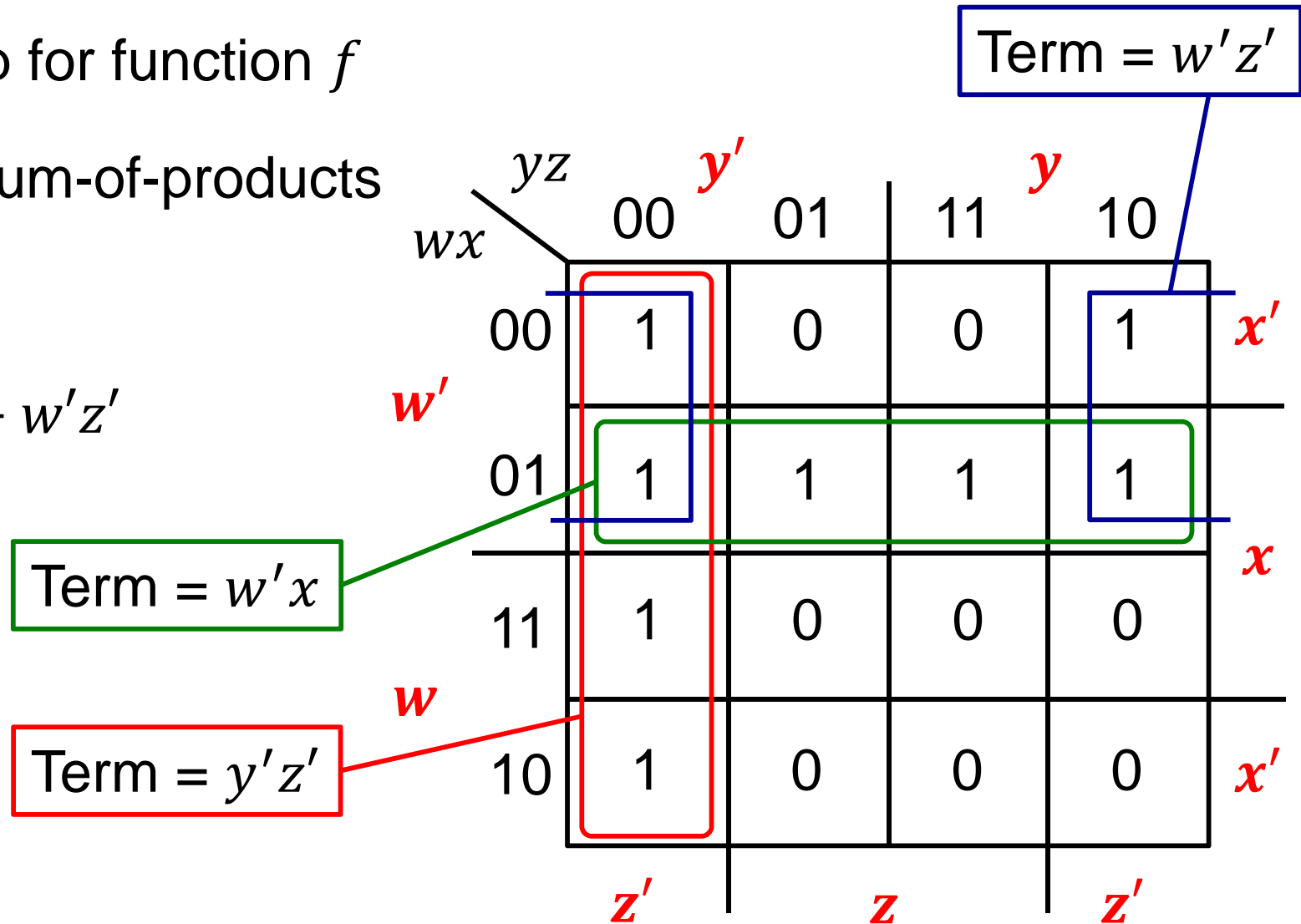
Given $f(w, x, y, z) = \sum(0, 2, 4, 5, 6, 7, 8, 12)$

Draw the K-map for function f

Minimize f as sum-of-products

Solution:

$$f = w'x + y'z' + w'z'$$



Next . . .

- ❖ Boolean Function Minimization
- ❖ The Karnaugh Map (K-Map)
- ❖ Two, Three, and Four-Variable K-Maps
- ❖ Prime and Essential Prime Implicants
- ❖ Minimal Sum-of-Products and Product-of-Sums
- ❖ Don't Cares
- ❖ Five and Six-Variable K-Maps
- ❖ Multiple Outputs

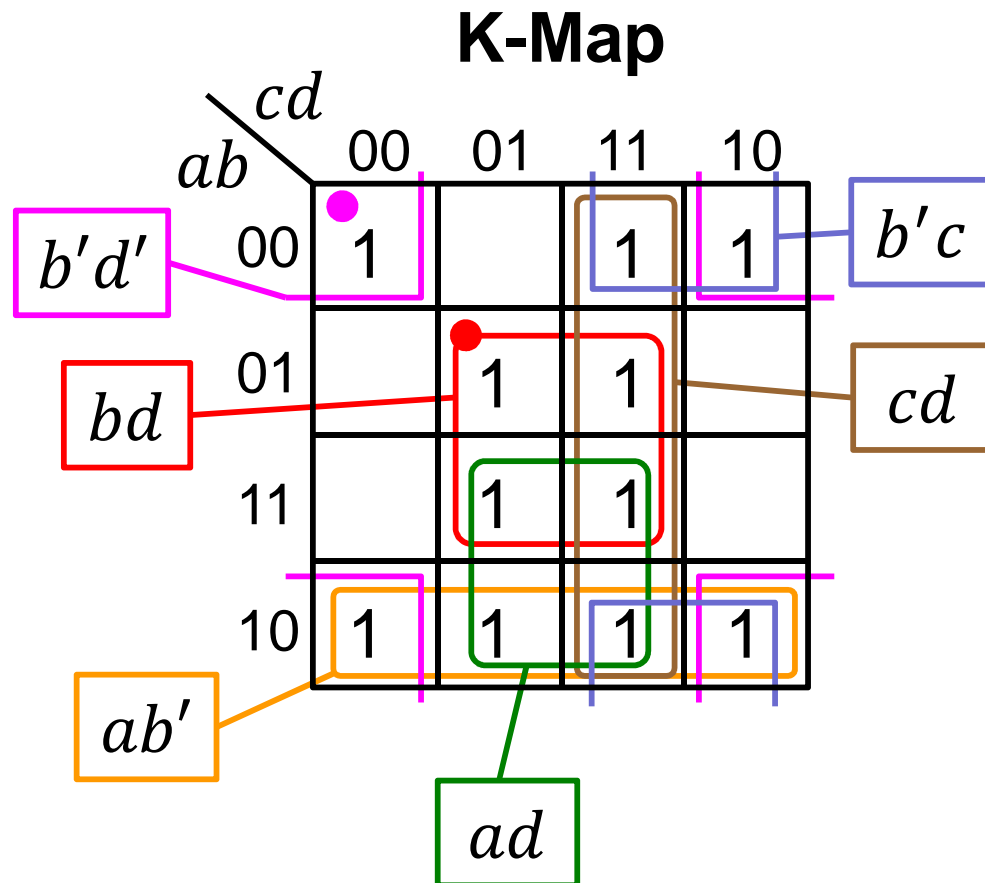
Prime Implicants

- ❖ **Prime Implicant:** a product term obtained by combining the **maximum number of adjacent squares** in the K-map
- ❖ The number of combined squares must be a **power of 2**
- ❖ **Essential Prime Implicant:** is a prime implicant that covers at least one minterm not covered by the other prime implicants
- ❖ The prime implicants and essential prime implicants can be determined by inspecting the K-map

Example of Prime Implicants

Find all the prime implicants and essential prime implicants for:

$$f(a, b, c, d) = \sum(0, 2, 3, 5, 7, 8, 9, 10, 11, 13, 15)$$



Six Prime Implicants

$bd, b'd', ab', ad, cd, b'c$

Only Two Prime

Implicants are essential

bd and $b'd'$

Simplification Procedure Using the K-Map

1. Find all the essential prime implicants

- ✧ Covering maximum number (power of 2) of 1's in the K-map
- ✧ Mark the minterm(s) that make the prime implicants essential

2. Add prime implicants to cover the function

- ✧ Choose a minimal subset of prime implicants that cover all remaining 1's
- ✧ Make sure to cover all 1's not covered by the essential prime implicants
- ✧ Minimize the overlap among the additional prime implicants

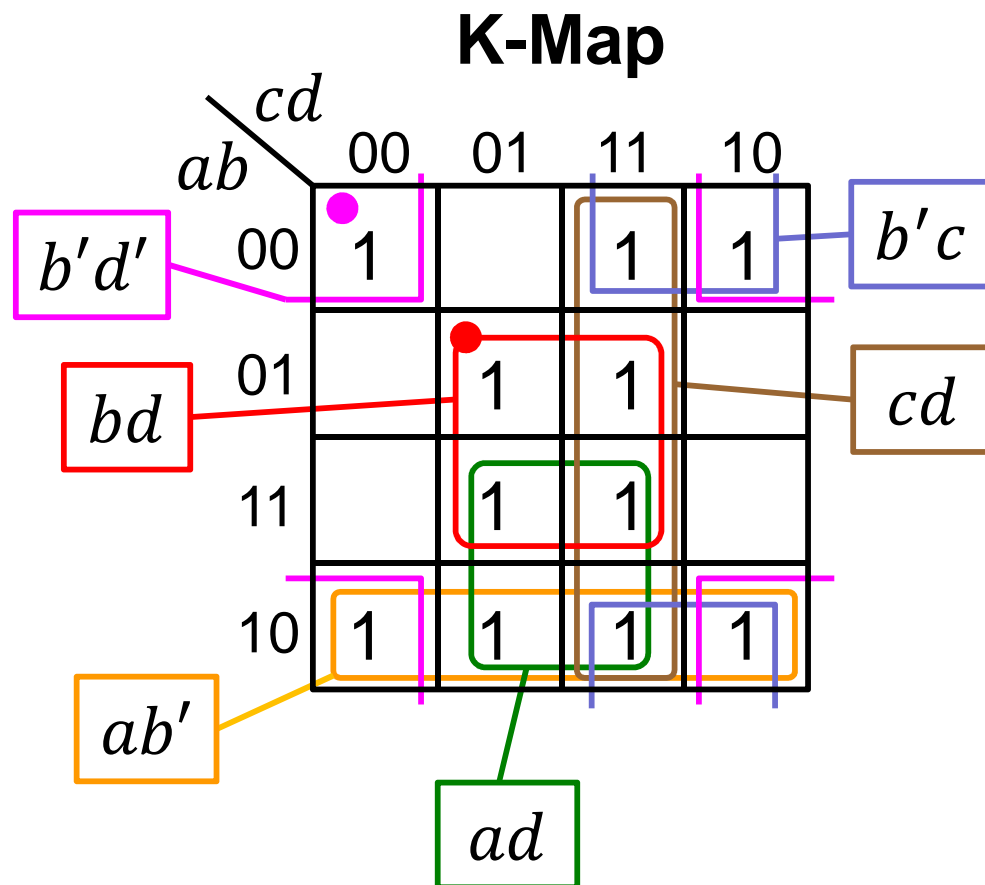
❖ Sometimes, a function has multiple simplified expressions

- ✧ You may be asked to list all the simplified sum-of-product expressions

Obtaining All Minimal SOP Expressions

Consider again: $f(a, b, c, d) = \sum(0, 2, 3, 5, 7, 8, 9, 10, 11, 13, 15)$

Obtain all minimal sum-of-products (SOP) expressions



Two essential Prime
Implicants: bd and $b'd'$

Four possible solutions:

$$f = bd + b'd' + cd + ad$$

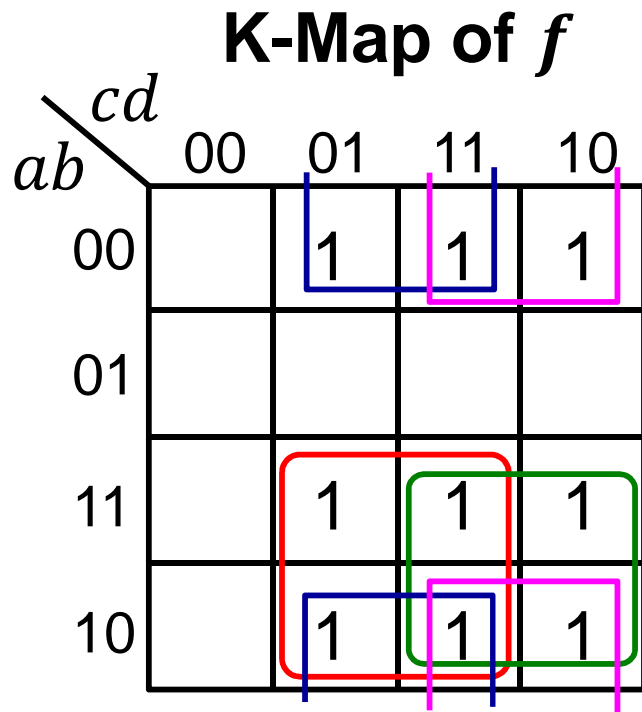
$$f = bd + b'd' + cd + ab'$$

$$f = bd + b'd' + b'c + ab'$$

$$f = bd + b'd' + b'c + ad$$

Product-of-Sums (POS) Simplification

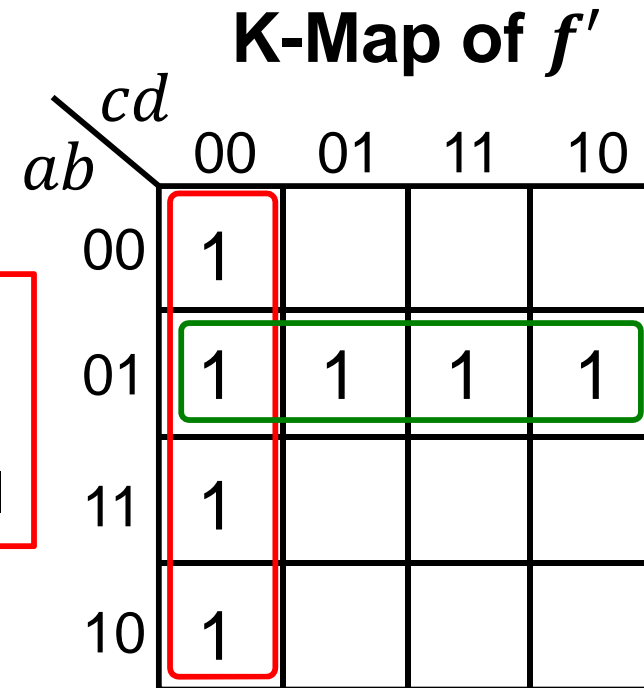
- ❖ All previous examples were expressed in Sum-of-Products form
- ❖ With a minor modification, the Product-of-Sums can be obtained
- ❖ Example: $f(a, b, c, d) = \sum(1, 2, 3, 9, 10, 11, 13, 14, 15)$



$$f = ad + ac + b'd + b'c$$

Minimal Sum-of-Products = 8 literals

All prime implicants are essential



$$f' = c'd' + a'b$$

$$f = (c + d)(a + b')$$

Minimal Product-of-Sums = 4 literals

Product-of-Sums Simplification Procedure

1. Draw the K-map for the function f
 - ✧ Obtain a minimal Sum-of-Products (SOP) expression for f
2. Draw the K-map for f' , replacing the 0's of f with 1's in f'
3. Obtain a minimal Sum-of-Products (SOP) expression for f'
4. Use DeMorgan's theorem to obtain $f = (f')'$
 - ✧ The result is a minimal Product-of-Sums (POS) expression for f
5. Compare the cost of the minimal SOP and POS expressions
 - ✧ Count the number of literals to find which expression is minimal

Next . . .

- ❖ Boolean Function Minimization
- ❖ The Karnaugh Map (K-Map)
- ❖ Two, Three, and Four-Variable K-Maps
- ❖ Prime and Essential Prime Implicants
- ❖ Minimal Sum-of-Products and Product-of-Sums
- ❖ Don't Cares
- ❖ Five and Six-Variable K-Maps
- ❖ Multiple Outputs

Don't Cares

- ❖ Sometimes, a function table may contain entries for which:
 - ✧ The input values of the variables will never occur, or
 - ✧ The output value of the function is never used
- ❖ In this case, the output value of the function is not defined
- ❖ The output value of the function is called a **don't care**
- ❖ A don't care is an **X** value that appears in the function table
- ❖ The **X** value can be later chosen to be **0 or 1**
 - ✧ To minimize the function implementation

Example of a Function with Don't Cares

- ❖ Consider a function f defined over BCD inputs
- ❖ The function input is a BCD digit from 0 to 9
- ❖ The function output is 0 if the BCD input is 0 to 4
- ❖ The function output is 1 if the BCD input is 5 to 9
- ❖ The function output is X (don't care) if the input is 10 to 15 (not BCD)

$$❖ f = \underbrace{\sum_m(5, 6, 7, 8, 9)}_{\text{Minterms}} + \underbrace{\sum_d(10, 11, 12, 13, 14, 15)}_{\text{Don't Cares}}$$

Truth Table

a	b	c	d	f
0	0	0	0	0
0	0	0	1	0
0	0	1	0	0
0	0	1	1	0
0	1	0	0	0
0	1	0	1	1
0	1	1	0	1
0	1	1	1	1
1	0	0	0	1
1	0	0	1	1
1	0	1	0	X
1	0	1	1	X
1	1	0	0	X
1	1	0	1	X
1	1	1	0	X
1	1	1	1	X

Minimizing Functions with Don't Cares

Consider: $f = \sum_m(5, 6, 7, 8, 9) + \sum_d(10, 11, 12, 13, 14, 15)$

If the don't cares were treated as 0's we get:

$$f = a'bd + a'bc + ab'c' \quad (9 \text{ literals})$$

If the don't cares were treated as 1's we get:

$$f = a + bd + bc \quad (5 \text{ literals})$$

The don't care values can be selected to be either 0 or 1, to produce a minimal expression

K-Map of f

$ab \backslash cd$	00	01	11	10
00	0	0	0	0
01	0	1	1	1
11	X	X	X	X
10	1	1	X	X

Simplification Procedure with Don't Cares

1. Find all the essential prime implicants

- ✧ Covering maximum number (power of 2) of 1's and X's (don't cares)
- ✧ Mark the 1's that make the prime implicants essential

2. Add prime implicants to cover the function

- ✧ Choose a minimal subset of prime implicants that cover all remaining 1's
- ✧ Make sure to cover all 1's not covered by the essential prime implicants
- ✧ Minimize the overlap among the additional prime implicants
- ✧ You need not cover all the don't cares (some can remain uncovered)

❖ Sometimes, a function has multiple simplified expressions

Minimizing Functions with Don't Cares (2)

Simplify: $g = \sum_m(1, 3, 7, 11, 15) + \sum_d(0, 2, 5)$

Solution 1: $g = cd + a'b'$ (4 literals)

Solution 2: $g = cd + a'd$ (4 literals)

Prime
Implicant cd
is essential

K-Map of g

		cd			
		00	01	11	10
ab	00	X	1	1	X
	01	0	X	1	0
	11	0	0	1	0
	10	0	0	1	0

K-Map of g

		cd			
		00	01	11	10
ab	00	X	1	1	X
	01	0	X	1	0
	11	0	0	1	0
	10	0	0	1	0

Not all don't
cares need
be covered

Minimal Product-of-Sums with Don't Cares

Simplify: $g = \sum_m(1, 3, 7, 11, 15) + \sum_d(0, 2, 5)$

Obtain a product-of-sums minimal expression

Solution: $g' = \sum_m(4, 6, 8, 9, 10, 12, 13, 14) + \sum_d(0, 2, 5)$

Minimal $g' = d' + ac'$ (3 literals)

Minimal product-of-sums:

$g = d(a' + c)$ (3 literals)

The minimal sum-of-products expression for g had 4 literals

K-Map of g'

$ab \backslash cd$	00	01	11	10
00	X	0	0	X
01	1	X	0	1
11	1	1	0	1
10	1	1	0	1

Next . . .

- ❖ Boolean Function Minimization
- ❖ The Karnaugh Map (K-Map)
- ❖ Two, Three, and Four-Variable K-Maps
- ❖ Prime and Essential Prime Implicants
- ❖ Minimal Sum-of-Products and Product-of-Sums
- ❖ Don't Cares
- ❖ Five and Six-Variable K-Maps
- ❖ Multiple Outputs

Five-Variable Karnaugh Map

- ❖ Consists of $2^5 = 32$ squares, numbered 0 to 31
 - ✧ Remember the numbering of squares in the K-map
- ❖ Can be visualized as two layers of 16 squares each
- ❖ Top layer contains the squares of the first 16 minterms ($a = 0$)
- ❖ Bottom layer contains the squares of the last 16 minterms ($a = 1$)

$a = 0$

		de			
		00	01	11	10
bc	00	m_0	m_1	m_3	m_2
	01	m_4	m_5	m_7	m_6
	11	m_{12}	m_{13}	m_{15}	m_{14}
	10	m_8	m_9	m_{11}	m_{10}

$a = 1$

		de			
		00	01	11	10
bc	00	m_{16}	m_{17}	m_{19}	m_{18}
	01	m_{20}	m_{21}	m_{23}	m_{22}
	11	m_{28}	m_{29}	m_{31}	m_{30}
	10	m_{24}	m_{25}	m_{27}	m_{26}

Each square is adjacent to **5** other squares:
4 in the same layer and
1 in the other layer:
 m_0 is adjacent to m_{16}
 m_1 is adjacent to m_{17}
 m_4 is adjacent to m_{20} ...

Example of a Five-Variable K-Map

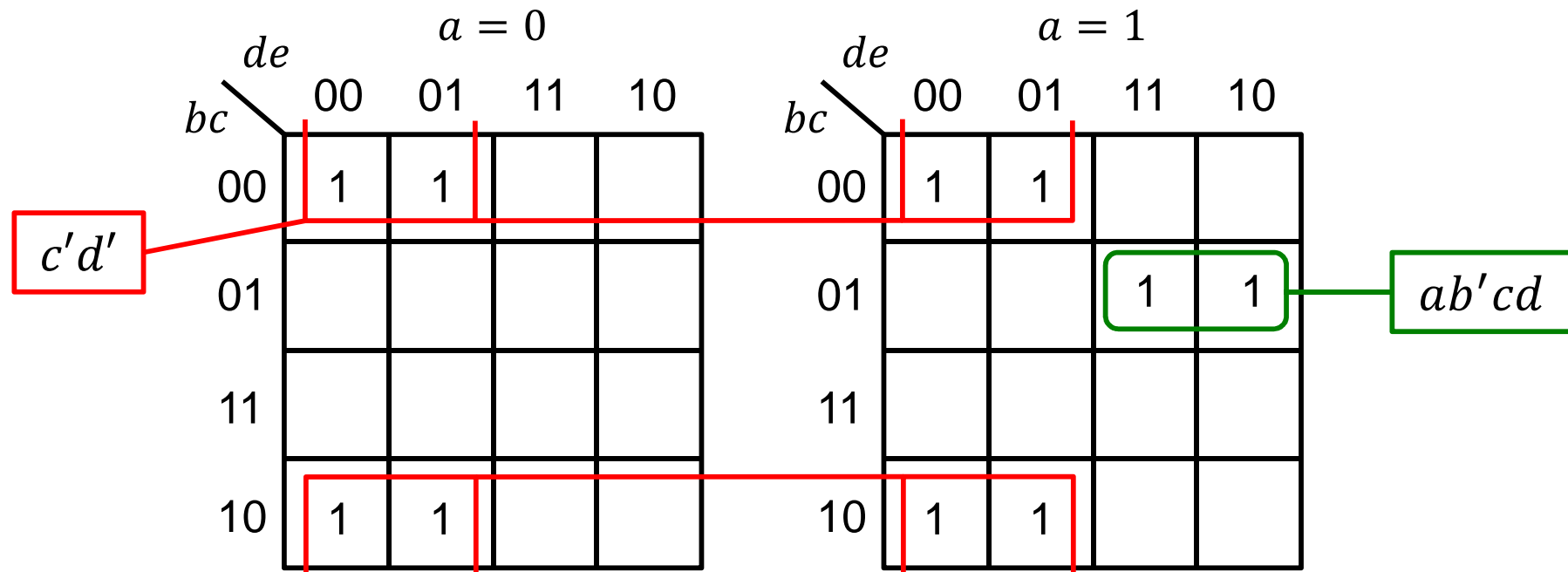
Given: $f(a, b, c, d, e) = \sum(0, 1, 8, 9, 16, 17, 22, 23, 24, 25)$

Draw the 5-Variable K-Map

Obtain a minimal Sum-of-Products expression for f

Solution: $f = c'd' + ab'cd$ (6 literals)

5-Variable K-Map



Five-Variable K-Map with Don't Cares

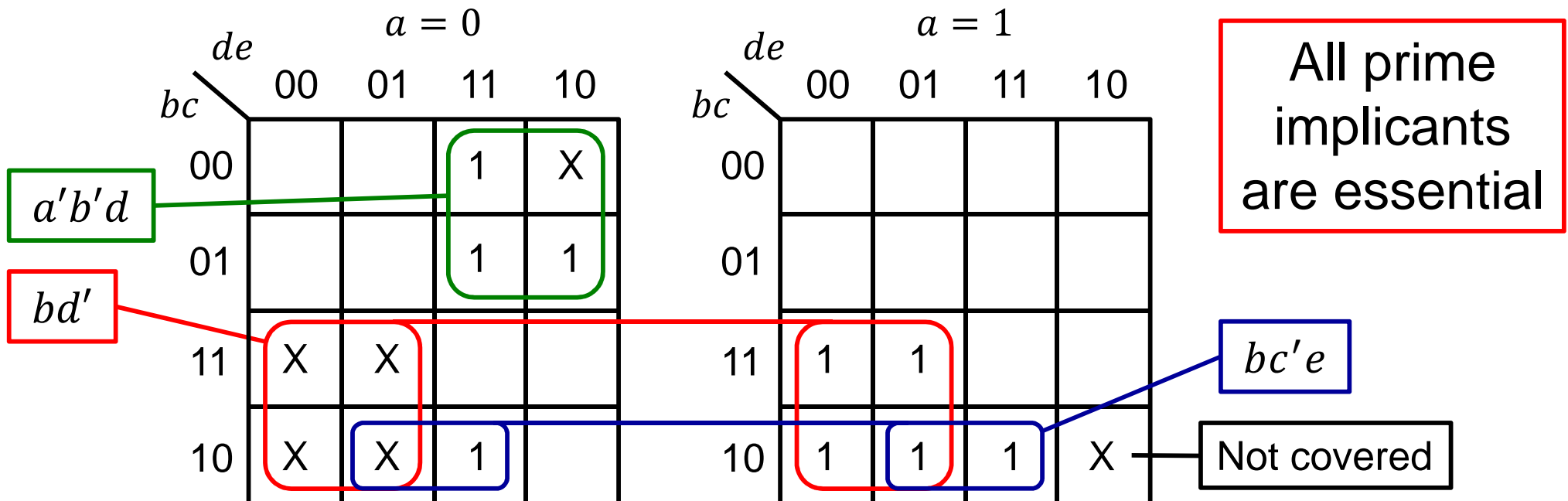
$$g(a, b, c, d, e) = \sum_m(3, 6, 7, 11, 24, 25, 27, 28, 29) + \sum_d(2, 8, 9, 12, 13, 26)$$

Draw the 5-Variable K-Map

Obtain a minimal Sum-of-Products expression for g

Solution: $g = bd' + a'b'd + bc'e$ (8 literals)

5-Variable K-Map



Six-Variable Karnaugh Map

- ❖ Consists of $2^6 = 64$ squares, numbered 0 to 63
- ❖ Can be visualized as four layers of 16 squares each
 - ✧ Four layers: $ab = 00, 01, 11, 10$ (Notice that layer 11 comes before 10)
- ❖ Each square is adjacent to 6 other squares:
 - ✧ 4 squares in the same layer and 2 squares in the above and below layers

		$ab = 00$				$ab = 01$				$ab = 11$				$ab = 10$			
		ef 00	01	11	10	00	01	11	10	00	01	11	10	00	01	11	10
cd	00	m_0	m_1	m_3	m_2	m_{16}	m_{17}	m_{19}	m_{18}	m_{48}	m_{49}	m_{51}	m_{50}	m_{32}	m_{33}	m_{35}	m_{34}
	01	m_4	m_5	m_7	m_6	m_{20}	m_{21}	m_{23}	m_{22}	m_{52}	m_{53}	m_{55}	m_{54}	m_{36}	m_{37}	m_{39}	m_{38}
	11	m_{12}	m_{13}	m_{15}	m_{14}	m_{28}	m_{29}	m_{31}	m_{30}	m_{60}	m_{61}	m_{63}	m_{62}	m_{44}	m_{45}	m_{47}	m_{46}
	10	m_8	m_9	m_{11}	m_{10}	m_{24}	m_{25}	m_{27}	m_{26}	m_{56}	m_{57}	m_{59}	m_{58}	m_{40}	m_{41}	m_{43}	m_{42}

Example of a Six-Variable K-Map

$$h(a, b, c, d, e, f) = \sum(2, 10, 11, 18, 21, 23, 29, 31, 34, 41, 50, 53, 55, 61, 63)$$

Draw the 6-Variable K-Map

Obtain a minimal Sum-of-Products expression for h

Solution: $h = c'd'ef' + bdf + a'b'cd'e + ab'cd'e'f$ (18 literals)

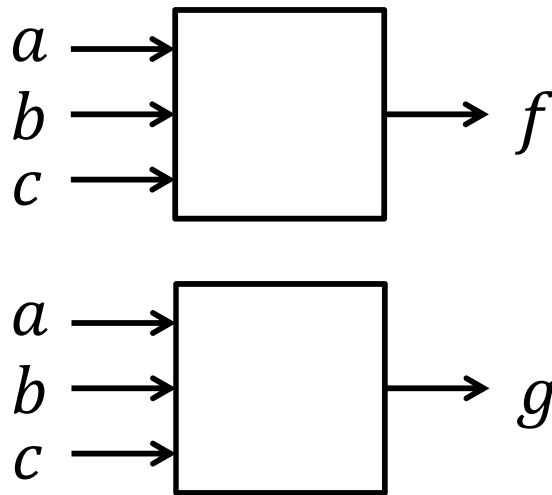
		$ab = 00$				$ab = 01$				$ab = 11$				$ab = 10$			
		$ef = 00$	$ef = 01$	$ef = 11$	$ef = 10$	$ef = 00$	$ef = 01$	$ef = 11$	$ef = 10$	$ef = 00$	$ef = 01$	$ef = 11$	$ef = 10$	$ef = 00$	$ef = 01$	$ef = 11$	$ef = 10$
cd	$cd = 00$	$c'd'ef'$ 1			1				1								1
	$cd = 01$					1	1			1	1						
	$cd = 11$					1	1			1	1						
	$cd = 10$			1	1									$ab'cd'e'f$ 1			

Next . . .

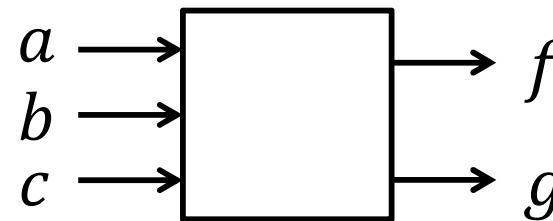
- ❖ Boolean Function Minimization
- ❖ The Karnaugh Map (K-Map)
- ❖ Two, Three, and Four-Variable K-Maps
- ❖ Prime and Essential Prime Implicants
- ❖ Minimal Sum-of-Products and Product-of-Sums
- ❖ Don't Cares
- ❖ Five and Six-Variable K-Maps
- ❖ **Multiple Outputs**

Multiple Outputs

- ❖ Suppose we have two functions: $f(a, b, c)$ and $g(a, b, c)$
- ❖ Same inputs: a, b, c , but two outputs: f and g
- ❖ We can minimize each function separately, or
- ❖ Minimize f and g as one circuit with two outputs
- ❖ The idea is to share terms (gates) among f and g



Two separate circuits



One circuit with
Two Outputs

Multiple Outputs: Example 1

Given: $f(a, b, c) = \sum(0, 2, 6, 7)$ and $g(a, b, c) = \sum(1, 3, 6, 7)$

Minimize each function separately

Minimize both functions as one circuit

K-Map of f

bc	00	01	11	10
a				
0	1	0	0	1
1	0	0	1	1

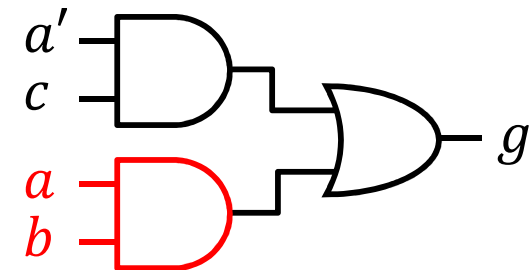
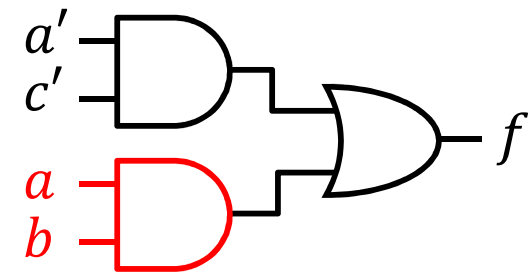
$$f = a'c' + ab$$

K-Map of g

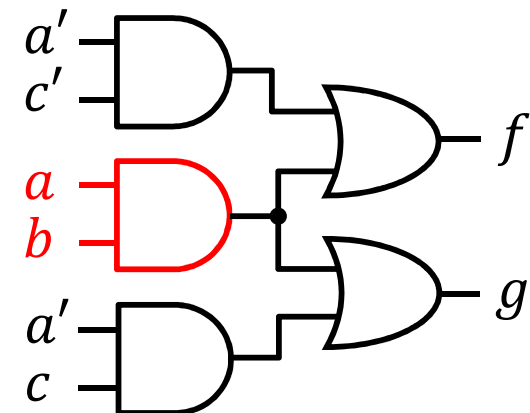
bc	00	01	11	10
a				
0	0	1	1	0
1	0	0	1	1

$$g = a'c + ab$$

Common
Term = ab



One circuit
per function



One circuit with
two Outputs

Multiple Outputs: Example 2

$$f(a, b, c, d) = \sum(3, 5, 7, 10, 11, 14, 15), \quad g(a, b, c, d) = \sum(1, 3, 5, 7, 10, 14)$$

Draw the K-map and write minimal SOP expressions of f and g

$$f = a'bd + ac + cd \qquad g = a'd + acd'$$

Extract the common terms of f and g

K-Map of f

cd	00	01	11	10
ab 00			1	
01		1	1	
11			1	1
10			1	1

K-Map of g

cd	00	01	11	10
ab 00		1	1	
01		1	1	
11				
10				1

Common Terms

$$T_1 = a'd \text{ and } T_2 = ac$$

Minimal f and g

$$f = T_1b + T_2 + cd$$

$$g = T_1 + T_2d'$$

Common Terms \rightarrow Shared Gates

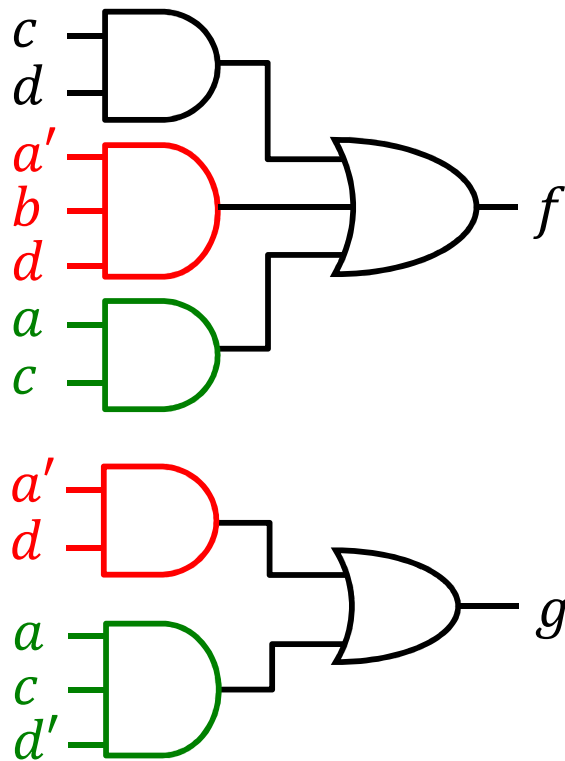
Minimal $f = a'bd + ac + cd$

Minimal $g = a'd + acd'$

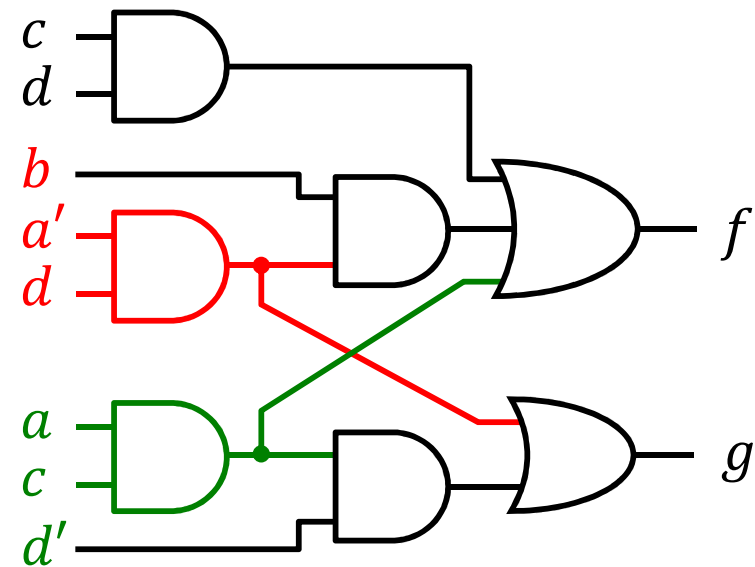
Let $T_1 = a'd$ and $T_2 = ac$ (shared by f and g)

Minimal $f = T_1b + T_2 + cd$,

Minimal $g = T_1 + T_2d'$



NO Shared Gates



One Circuit

Two Shared Gates