

Figure 1: Components of a neuron

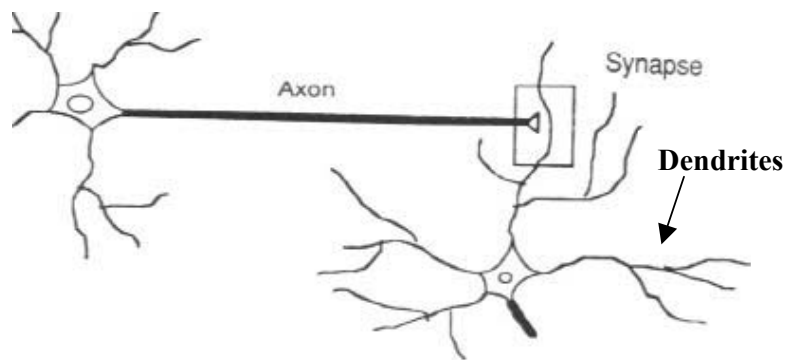


Figure 2: The synapse

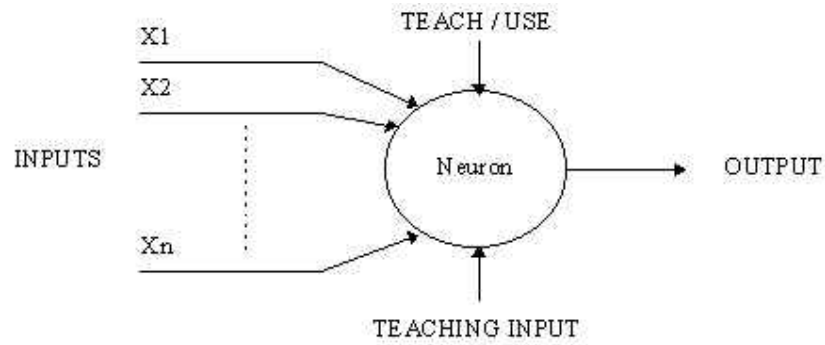


Figure 3: A simple neuron

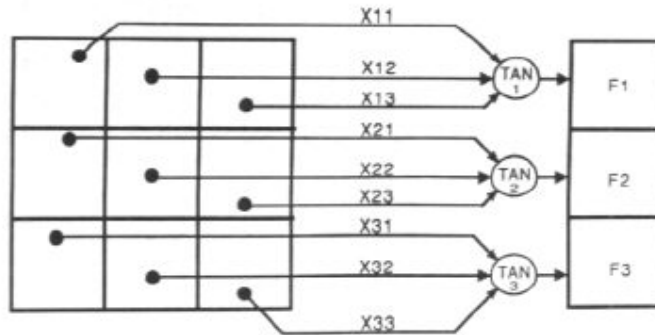


Figure 4: A feed-forward neural network

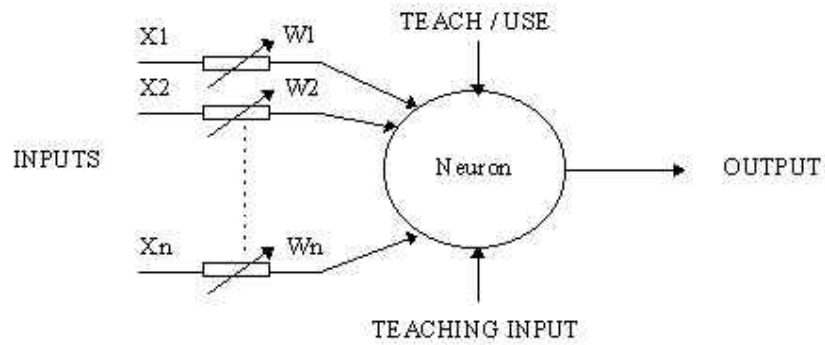


Figure 5: An MCP neuron

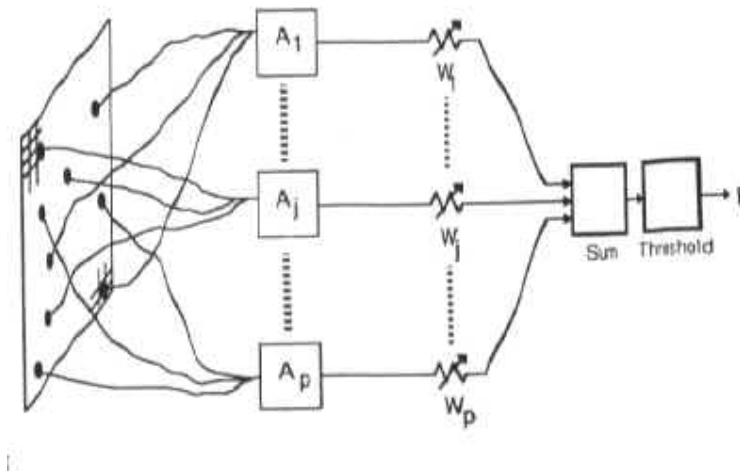


Figure 6: A perceptron

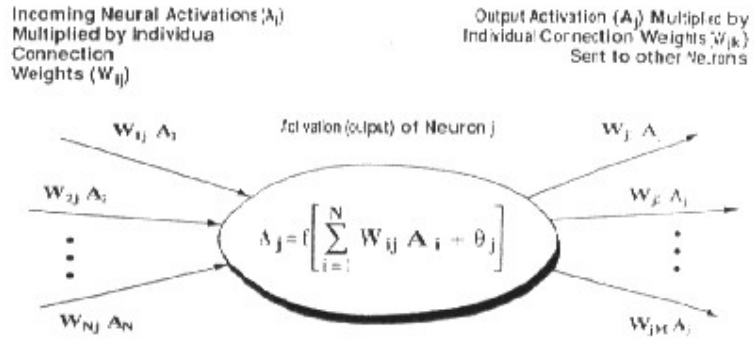


Figure 7: A learning rule for changing the values of the weights

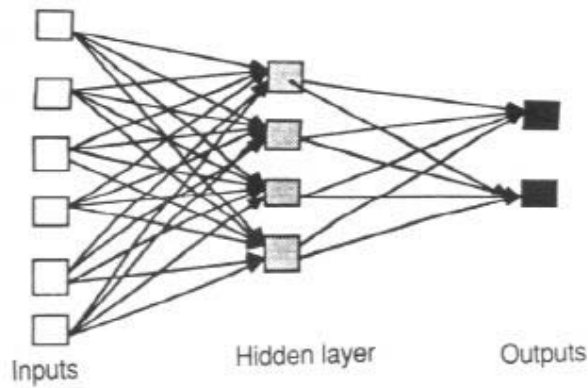


Figure 8: An example of a simple feed-forward system