

King Fahd University of Petroleum and Minerals

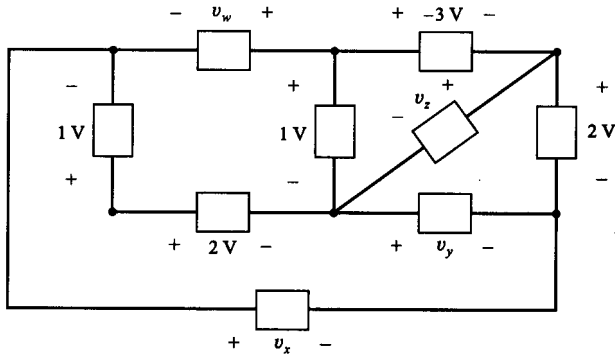
Electrical Engineering Department

EE 208: Electrical Systems (072)

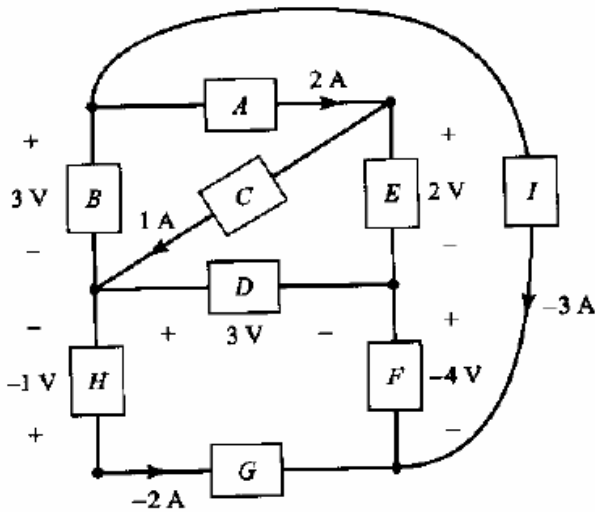
Instructor: Umar M. Johar

Home Work # 3

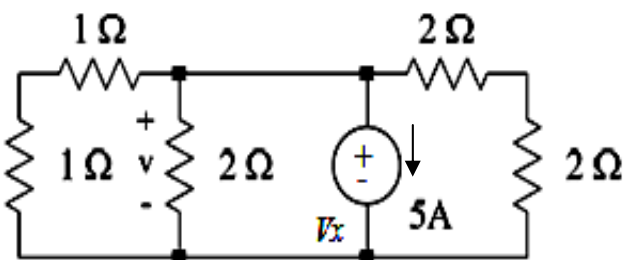
1. For the circuit shown below find the voltages v_x , v_y , v_z , and v_w .



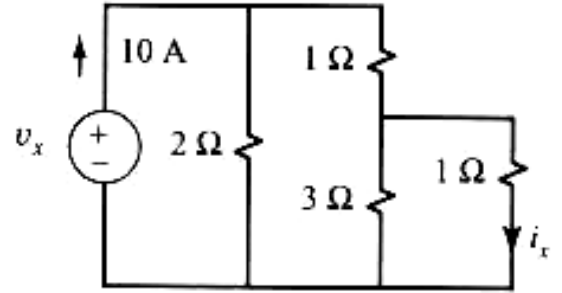
2. For the circuit shown, determine the power delivered to elements A, B, C, D, and E.



3. Determine the voltage V_x in the circuit shown below.



4. For the circuit shown below find the voltage v_x , and current i_x .



5. Given the circuit shown below, find the power absorbed by the 2.2k Ohm resistor.

