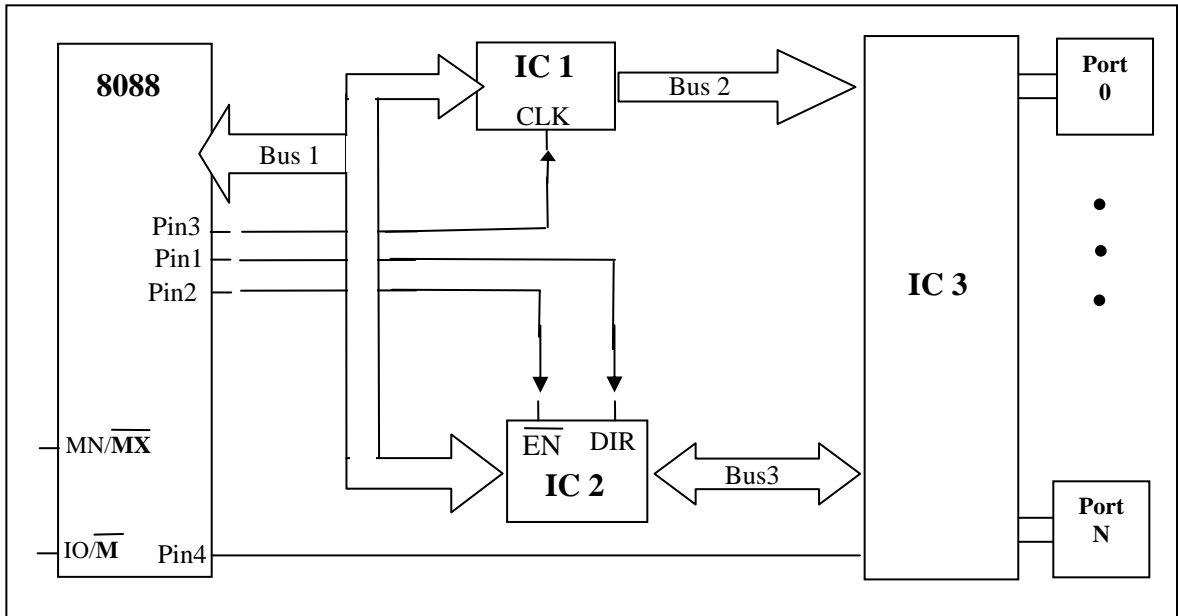


Short Quiz - 5
EE-390 1
Set A

Name: _____

ID No: _____

(1) In the given figure **8088** is performing a **Input-Output read** operation.
 Answer the following questions:



Write approximate steps required during the bus-cycle to complete this operation:
 (use proper names associated with Pin-1 to Pin-4, IC-1 to IC-3 and BUS-1 to 3)

Step 1: _____

Step 2: _____
