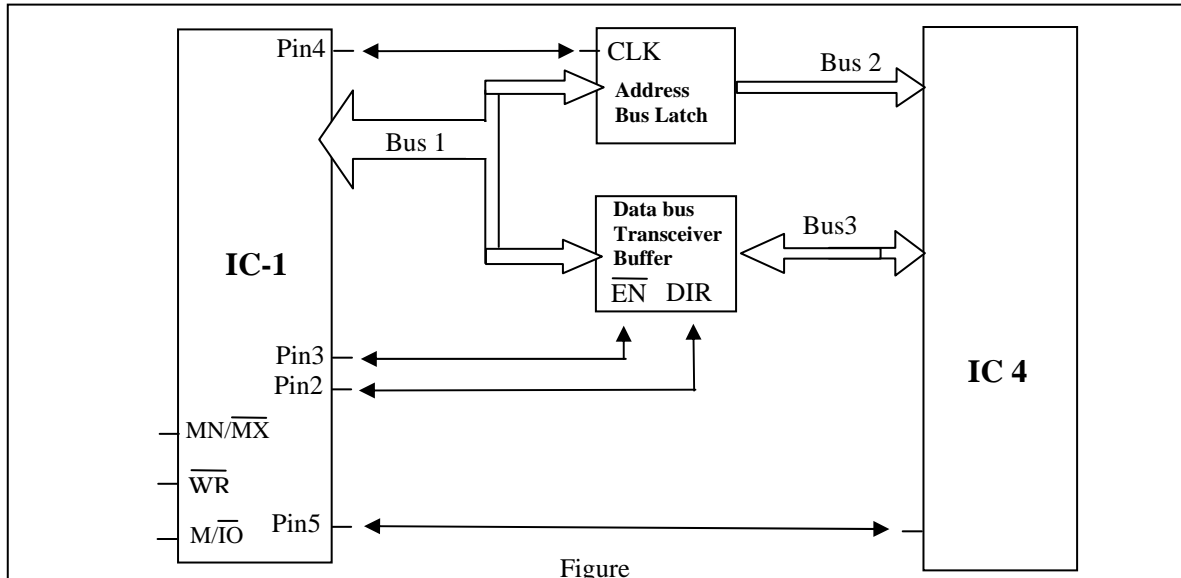


1(a). The pin connections of a MPU is given in figure below. For a memory read bus cycle, answer the following questions:



(i) Is BUS 2 address-bus or data bus: \_\_\_\_\_ ;

(ii) Write the approximate steps performed by CPU to complete above operation;

---



---



---



---



---



---



---



---



---



---

1(b). IN/OUT instruction is used in which I/O interface: \_\_\_\_\_