

Key

Quiz # 5

Name:

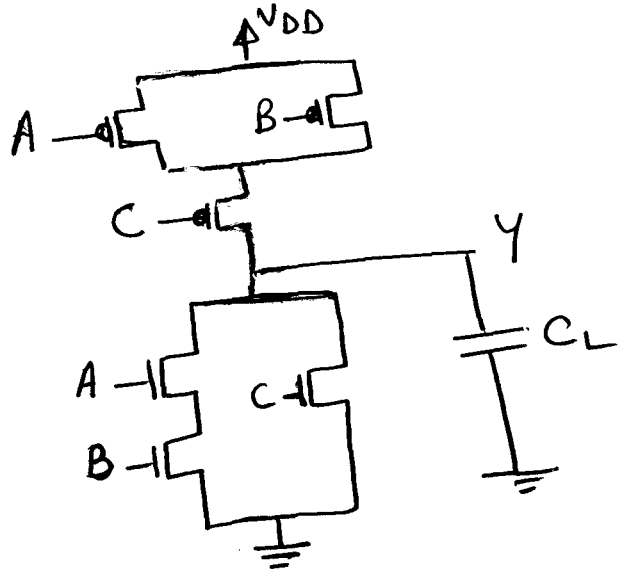
ID#

A) Design a CMOS logic circuit to implement the function: $Y = \overline{A \cdot B + C}$

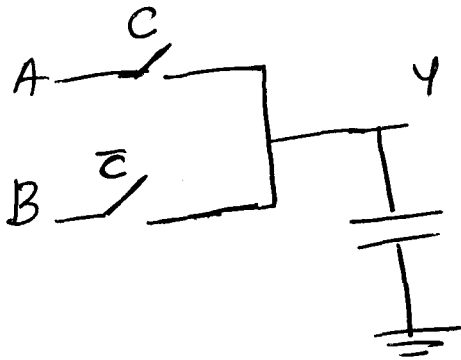
B) Design PTL circuit (transmission gate switch) to implement a 2-to-1 MUX:

$$Y = AC + B\bar{C}$$

A) $\bar{Y} = A \cdot B + C$



B)



Using transmission gate switch

