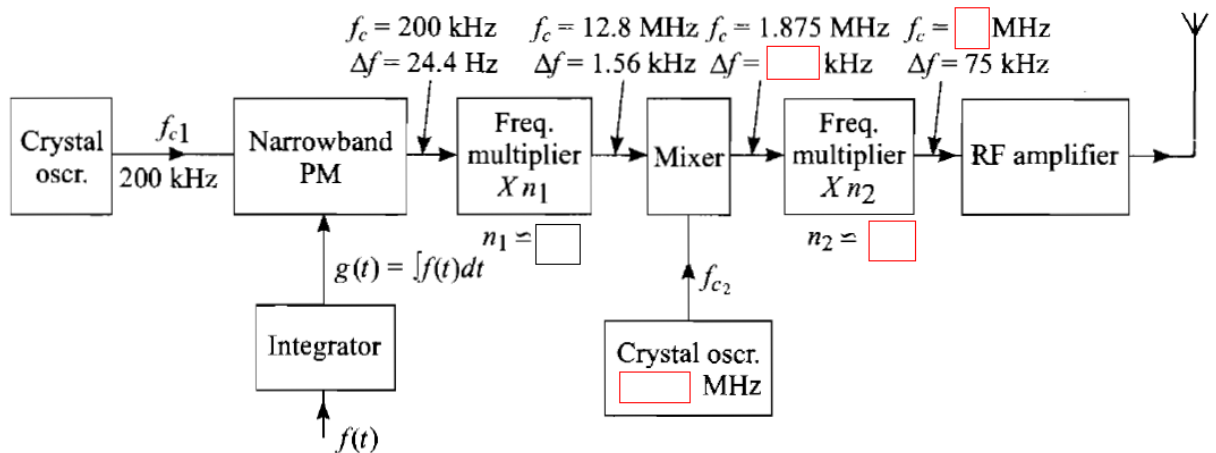


**Quiz 5: Armstrong FM Transmitter**

Name: **Key**

ver. 1.0

The following block diagram is for an Armstrong indirect FM transmitter. Find the missing five values ( $n_1, f_{c2}, \Delta f, n_2, f_c$ ). Show your steps



Final answer given below

