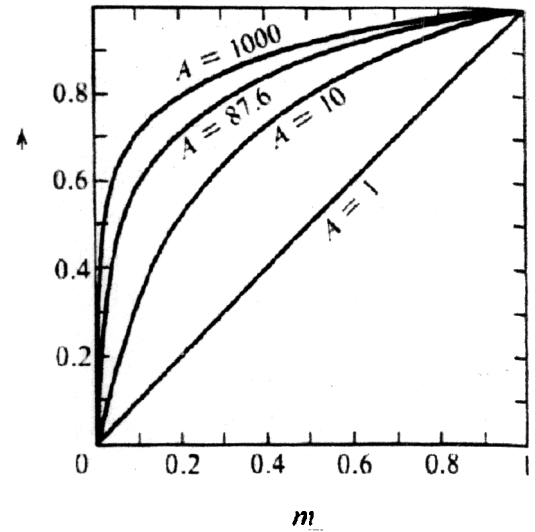


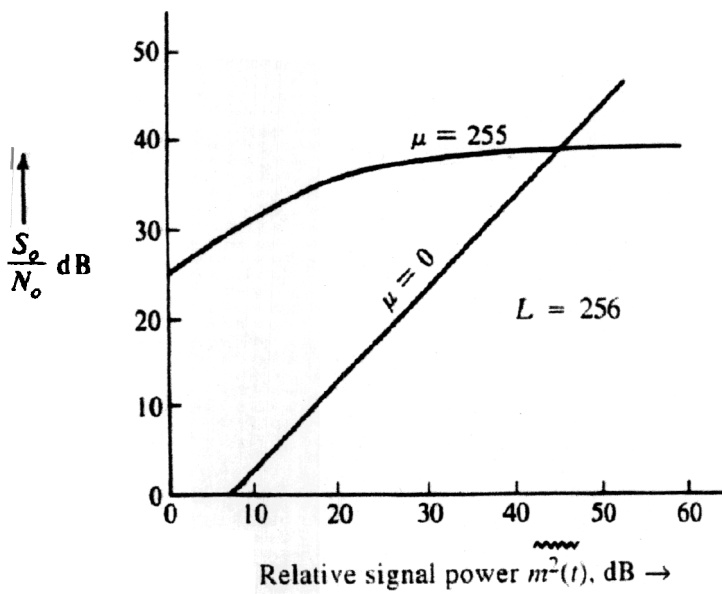
(a)



(b)

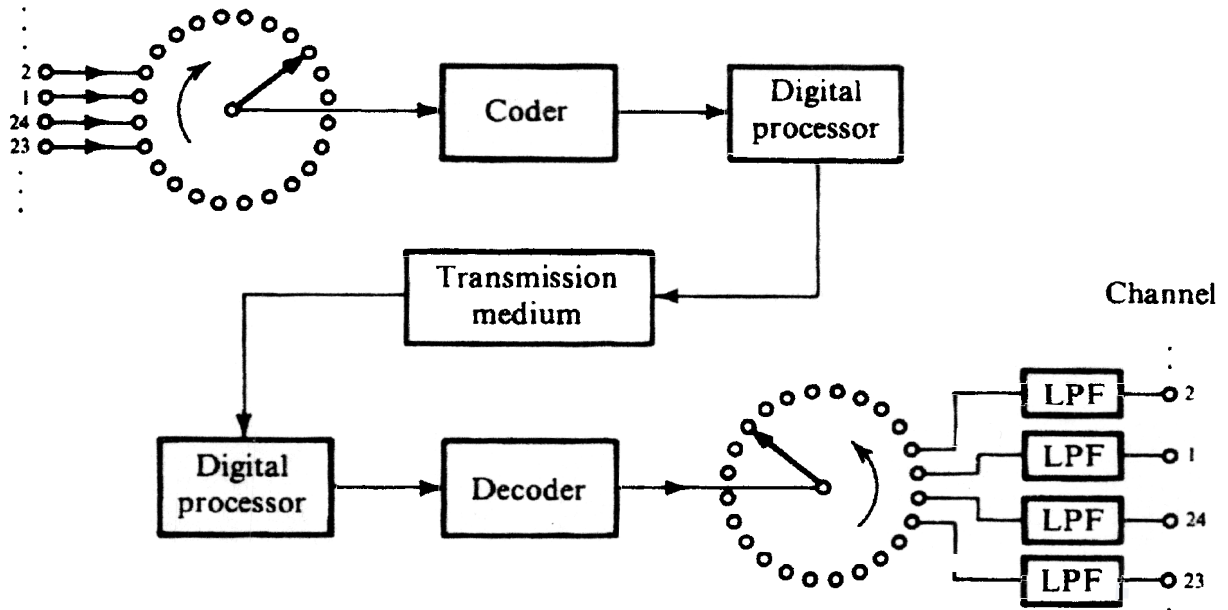
Figure 6.12 (a) μ -law characteristic. (b) A-law characteristic

Figure 6.13 Signal-to-quantization-noise ratio in PCM with and without compression.



Relative signal power $m^2(t)$, dB \rightarrow

Channel



(a)

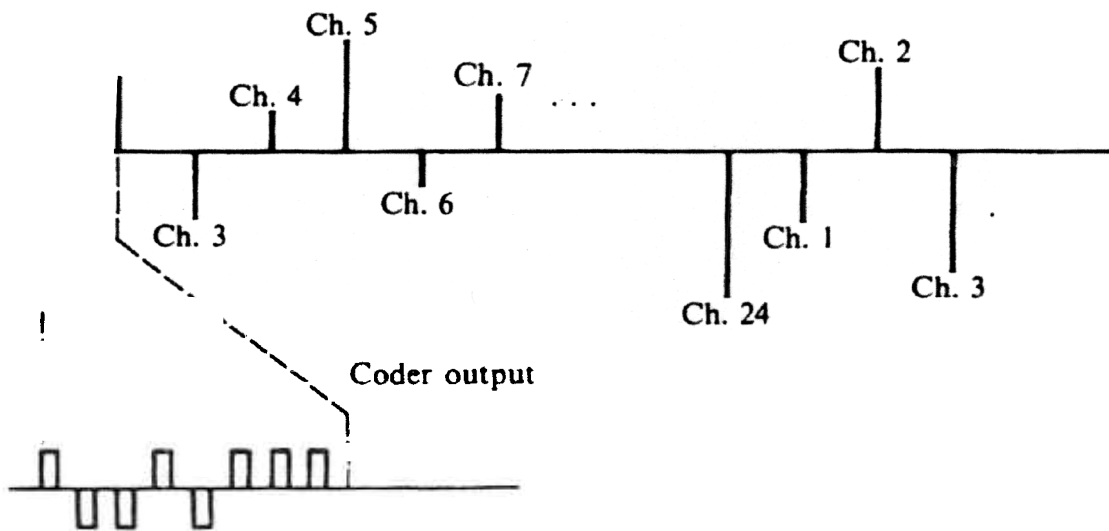


Figure 6.15 T1 carrier system

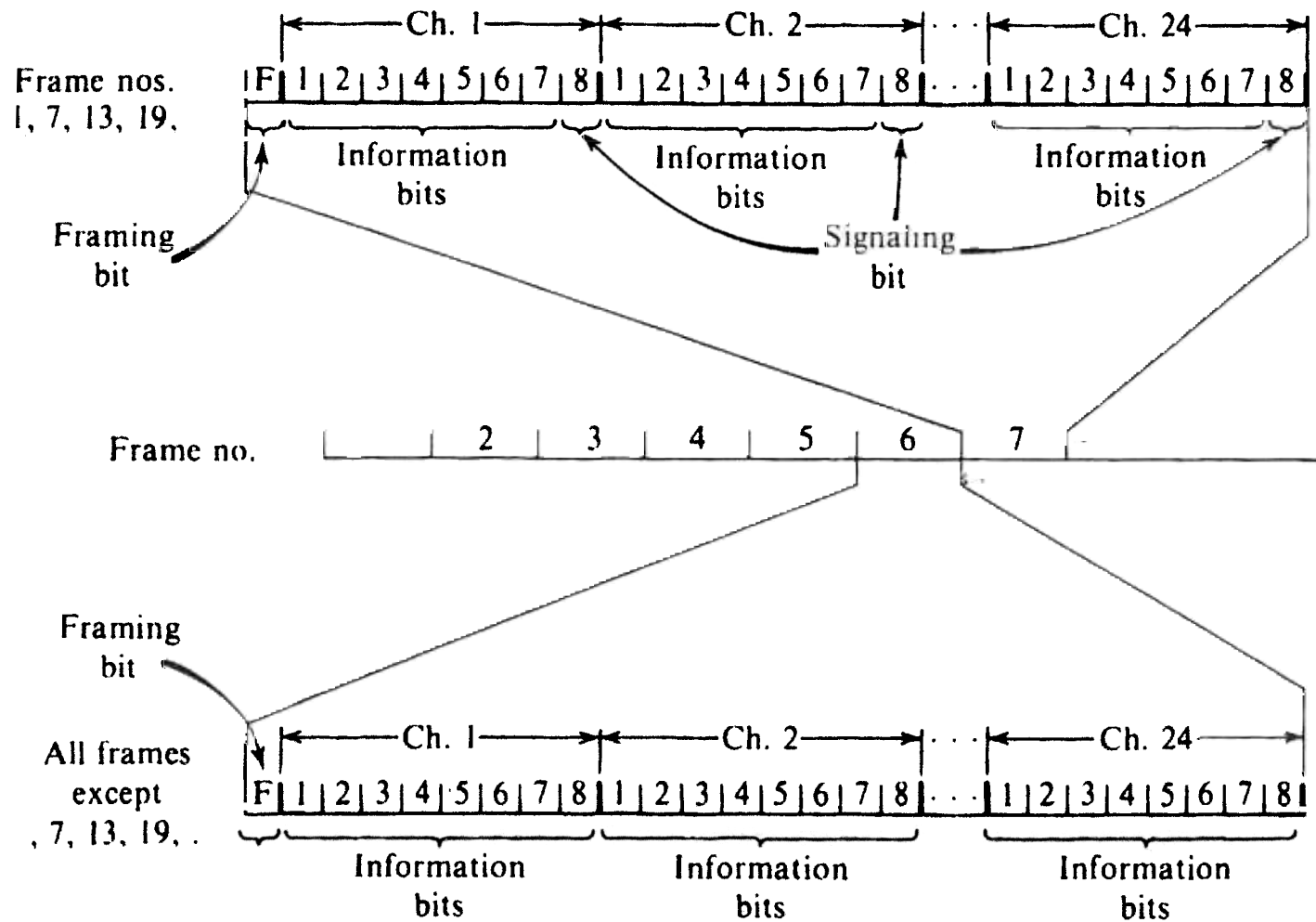


Figure 6.16 T1 system signaling format.