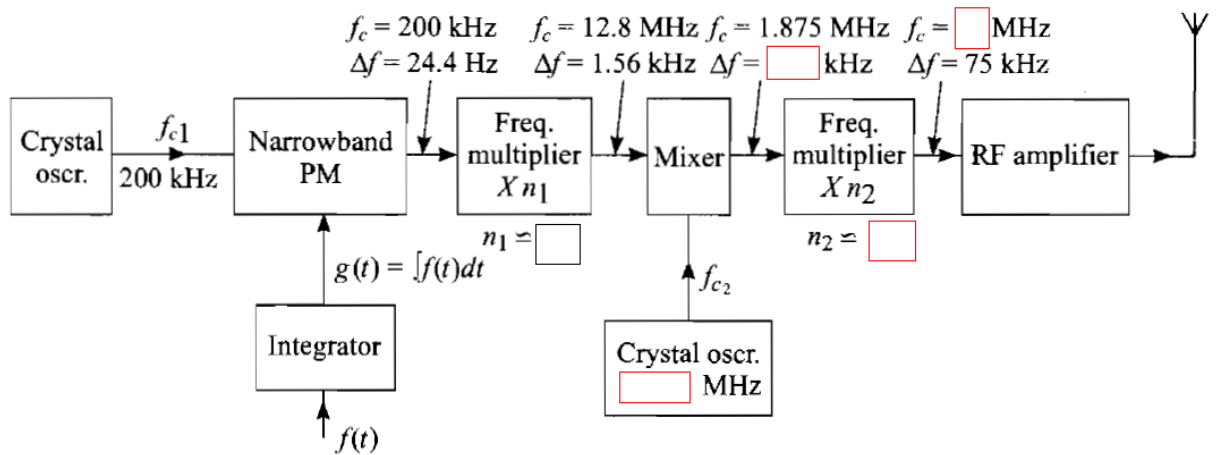


Quiz 5: Armstrong FM Transmitter

Name: **Key**

ver. 1.0

The following block diagram is for an Armstrong indirect FM transmitter. Find the missing five values ($n_1, f_{c2}, \Delta f, n_2, f_c$). Show your steps



Final answer given below

