

King Fahd University of Petroleum & Minerals

Electrical Engineering Department

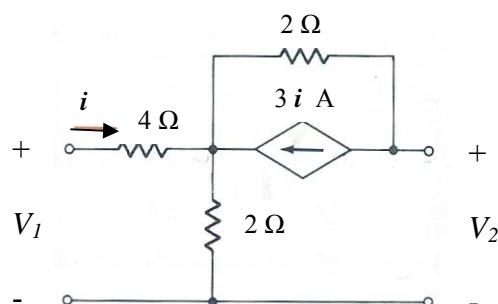
EE205: Electric Circuits II

Dr. Ali Muqaibel

HW 8: Two Port Networks

**Problem 1:**

Find the h parameters for the two port network given below. Do not forget to right the units for every parameter



h parameters

$$V_1 = h_{11}I_1 + h_{12}V_2$$
$$I_2 = h_{21}I_1 + h_{22}V_2$$

Good Luck, Dr. Ali Muqaibel