

بِسْمِ اللَّهِ الرَّحْمَنِ الرَّحِيمِ

King Fahd University of Petroleum and Minerals  
Department of Electrical Engineering

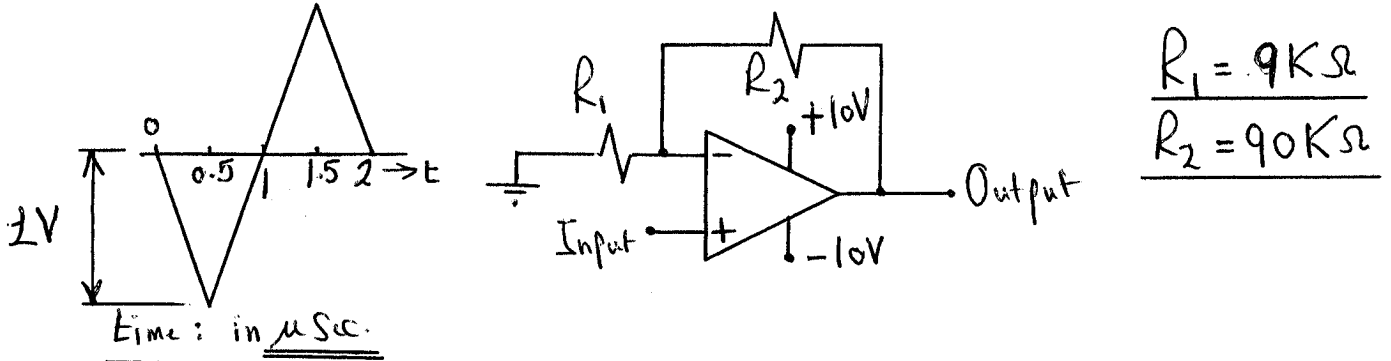
Semester II 2006/2007

Electronics II EE303

Quiz (2)

ATTEMPT ALL QUESTIONS  
TIME ALLOWED 10 MINUTES

Q1. Can the circuit shown in Fig. be used to amplify the input signal shown without distortion in the output? **YOU MUST JUSTIFY YOUR ANSWER.**



The amplifier has an offset voltage = 2 mV, biasing currents = 1 uA and 1.5 uA and slew-rate = 1.0V/1.0 usec.