

بِسْمِ اللَّهِ الرَّحْمَنِ الرَّحِيمِ

King Fahd University of Petroleum and Minerals
Department of Electrical Engineering

Semester I 2006/2007

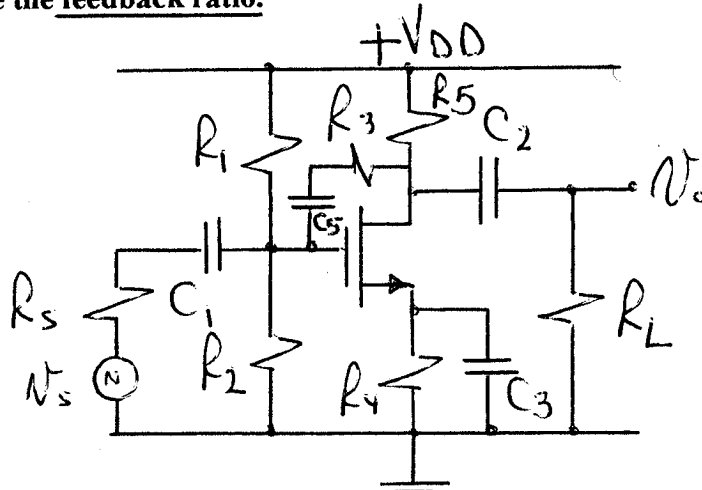
Electronic Circuits II (EE303)

Quiz (4)

ATTEMPT ALL QUESTIONS
TIME ALLOWED 15 MINUTES

Consider the circuit shown in figure and answer the following questions:

1. Identify the feedback configuration in the circuit.
2. Calculate the feedback ratio.



$$C_1 = C_2 = 10\mu\text{F}, R_5 = 100\Omega, R_1 = R_2 = 10\text{M}\Omega, R_3 = 5\text{K}, R_4 = 1\text{K},$$

$$C_3 = 100\mu\text{F}, R_3 = 100\text{K}\Omega, C_5 = 20\mu\text{F}, R_L = 10\text{K}.$$