

بسم الله الرحمن الرحيم

King Fahd University of Petroleum and Minerals
 Department of Electrical Engineering

Semester I 2005/2006

EE303 Electronics II

Major (2)

ATTEMPT ALL QUESTIONS
 TIME ALLOWED 50 Minutes

Q1. Assuming ideal operational amplifier, obtain an expression for the input impedance of the circuit shown in Fig. 1. Comment on your result showing what this circuit simulates.

Q2. The block diagram shown in Fig. 2 is a possible solution for designing an analog computer to solve differential equations. You are requested to design, using ideal operational amplifiers, the following:

1. a circuit that can perform the summation
2. a circuit that can perform the integration

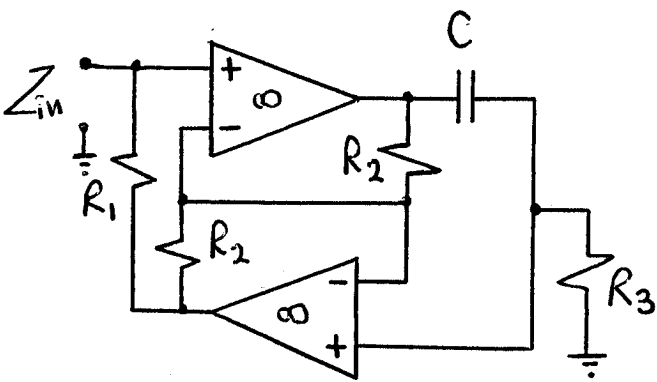


Fig-1

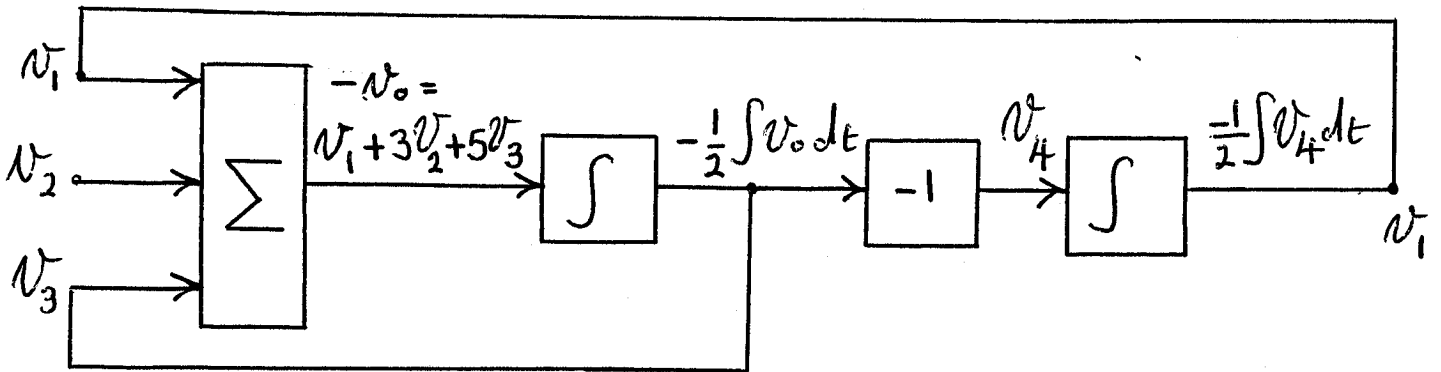


Fig-2