

بسم الله الرحمن الرحيم

King Fahd University of Petroleum and Minerals
Department of Electrical Engineering

Semester I 2005/2006

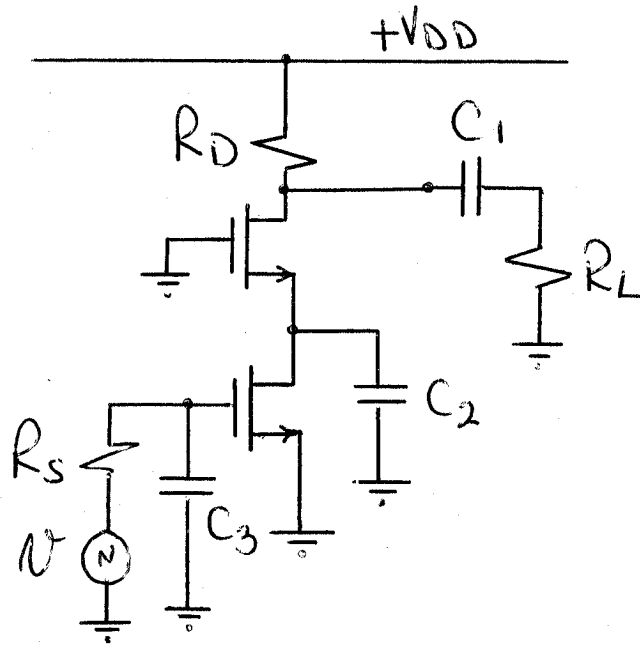
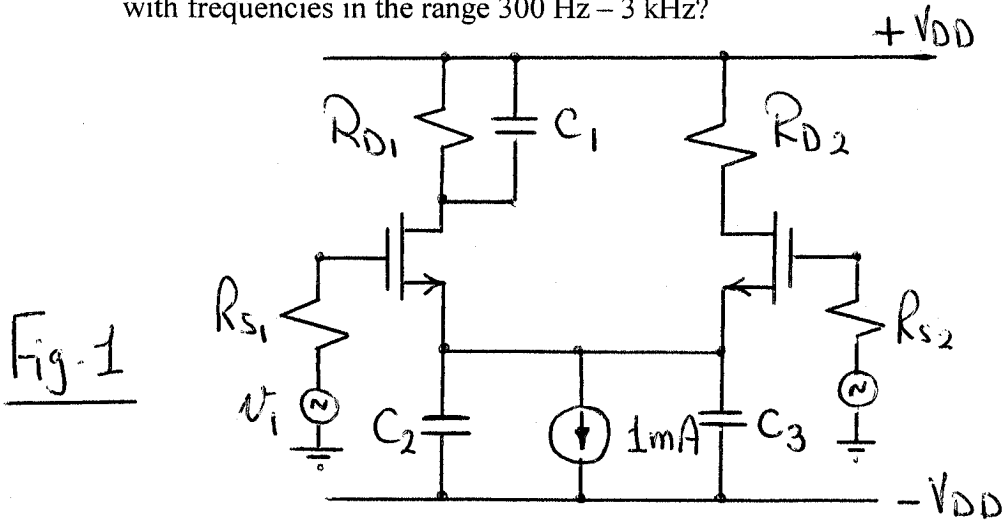
EE303 Electronics II

Major (1)

ATTEMPT ALL QUESTIONS
TIME ALLOWED 50 Minutes

1. Find the poles of the circuit shown in Fig. 1.

2. Consider the circuit shown in Fig. 2. Can this circuit be used to amplify signals with frequencies in the range 300 Hz – 3 kHz?



$C_1 = 1 \mu F$
 $C_2 = 10 pF$
 $C_3 = 30 pF$
 $R_s = 100 \Omega$
 $R_D = 1 K$
 $R_L = 10 K$
 $g_{m1} = g_{m2}$
 $= 6 mA/V$
 $V_{DD} = +9V$

Fig-2