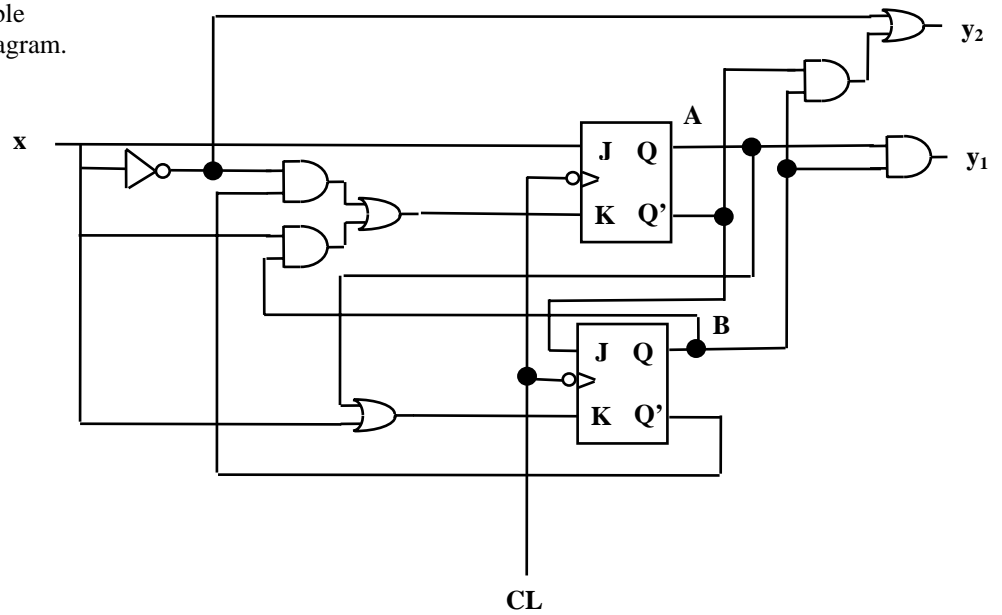


Student's Name:

I.D.#:

A sequential circuit has two JK flip-flops, one input  $x$  and two outputs  $y_1$  and  $y_2$ . The logic diagram of the circuit is shown. Analyse the circuit and obtain the following:

1. The flip-flop input functions
2. The output functions  $y_1$  and  $y_2$
3. The state table
4. The state diagram.



Do not write below this line