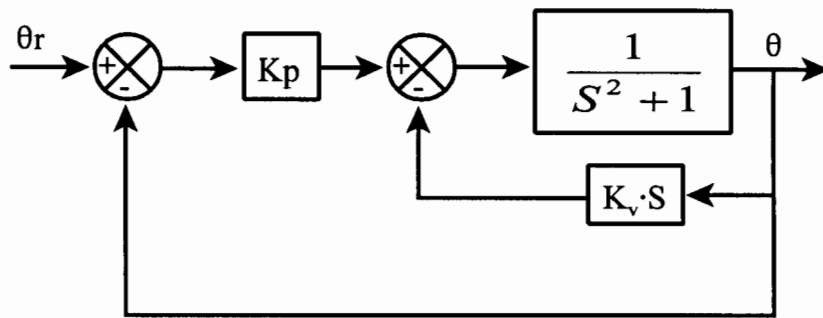


EE 380-1 Control Engineering I, Quiz-4

Dr. Ahmad A. Masoud, Wednesday Nov.. 21 2007



Tune the system shown above such that for a unit step input the following specifications are obtained:
 $T_s \leq 4 \text{ sec}$, $T_r \leq 2$, $\delta \leq 10\%$, and $ess \leq .05$.