

KING FAHD UNIVERSITY OF PETROLEUM & MINERALS
ELECTRICAL ENGINEERING DEPARTMENT

EE380 [091] sec # _____

quiz # 4

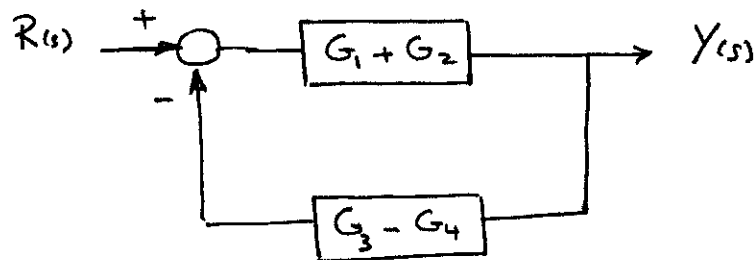
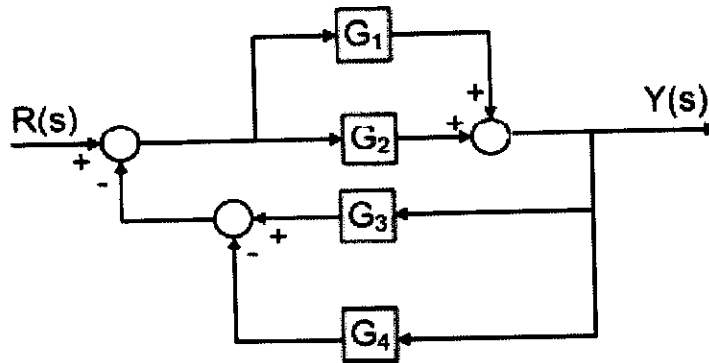
Name: Key Solution

ID: _____

Grade: _____

Simplify the block diagram shown below and obtain the closed loop transfer function

$$\frac{Y(s)}{R(s)}$$



$$\frac{Y}{R} = \frac{G_1 + G_2}{1 + (G_1 + G_2)(G_3 - G_4)} \quad *$$