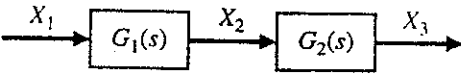
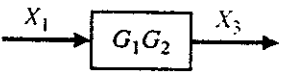
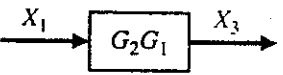
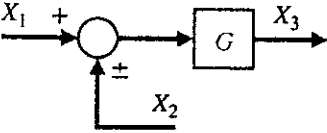
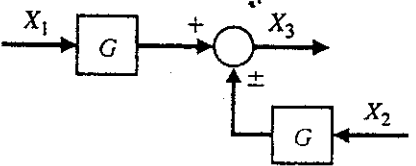
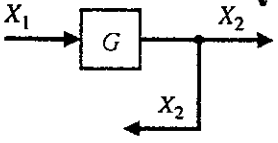
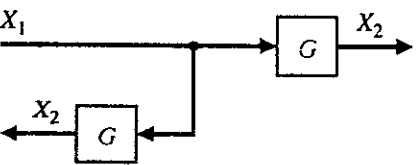
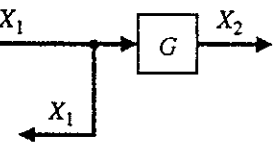
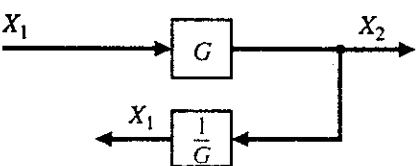
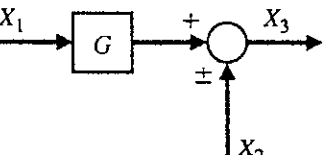
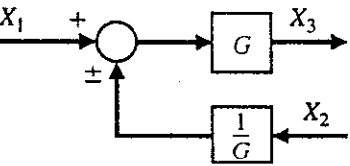


Block Diagram Transformations

Transformation	Original Diagram	Equivalent Diagram
1. Combining blocks in cascade		 or 
2. Moving a summing point behind a block		
3. Moving a pickoff point ahead of a block		
4. Moving a pickoff point behind a block		
5. Moving a summing point ahead of a block		
6. Eliminating a feedback loop	