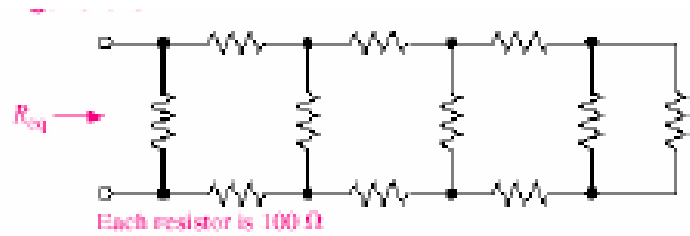
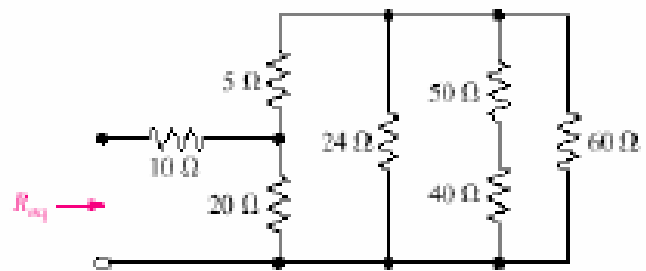


Review Problems 1

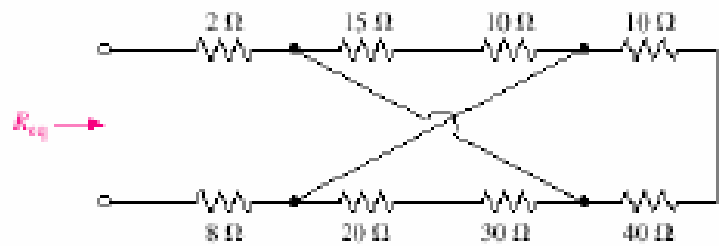


(a)

Find R_{eq} for each of the resistive net shown



(b)



(c)

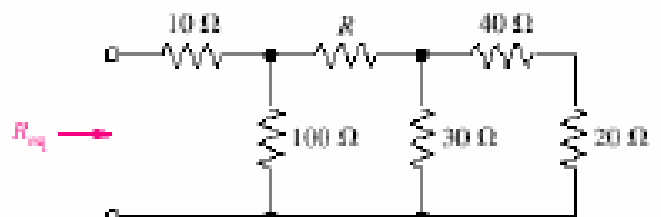
In the network shown in

(a) let $R = 30 \Omega$ and find R_{eq}

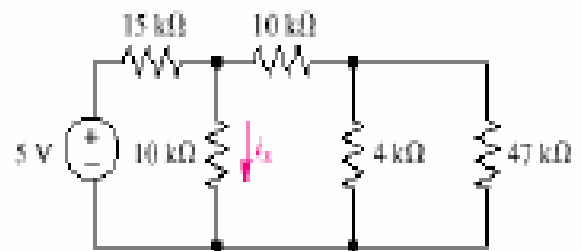
(b) find R if $R_{eq} = 80 \Omega$;

(c) find R if $R = R_{eq}$.

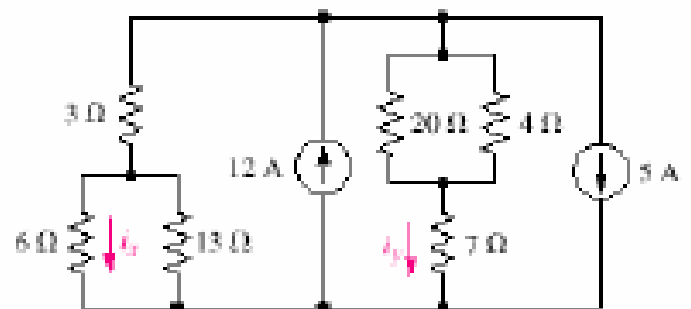
Resistive network



For the circuit shown, determine i_x , and compute the power dissipated by (absorbed by) the 15-k Ω resistor.



For the circuit shown, find i_x , i_y , and the power dissipated by (absorbed by) the 3- Ω



Compute the power supplied by each source shown

