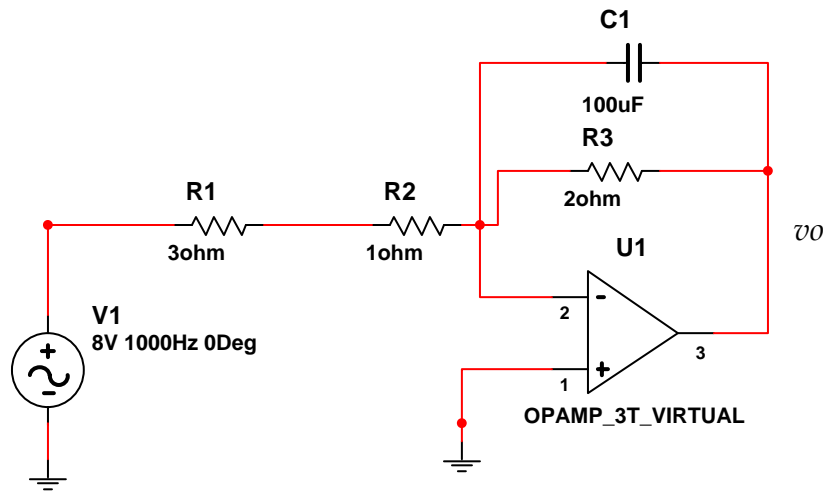


EE 201 Assignment # 5

Dr. H. M. Masoudi

Using MultiSim Software for the circuit shown, plot the steady state response of v_o and also plot v_1 (the input) using the two channels of the oscilloscope (A and B).



- In the graph window choose **timebase** (the time scale) as 500 $\mu\text{s}/\text{DIV}$ for clear presentation of this simulation.
- Use 5 V/Div for both channel A and B
- Run the simulation by **switching on** the right button on the top right.