

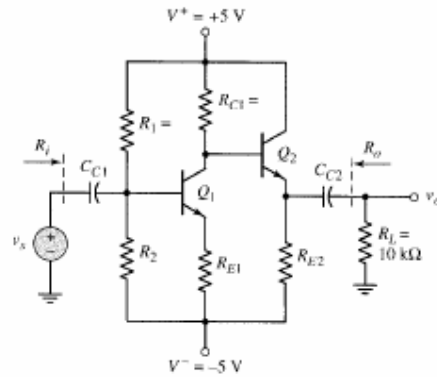
Term Project
Due Monday, Jan. 14, 2008

Design the circuits shown to meet the following requirements:

1. Voltage gain around -17.7
2. The input resistance is around $4.76\text{ K}\Omega$
3. The output resistance is around 43.7Ω

Assume $\beta = 125$ for both transistors

Hint: Design for $V_{CEQ2} = 2.7\text{V}$



- Your design steps must be clear and reflect your understanding
- You have to work individually
- Your hand calculation should be supported by simulation or implementation