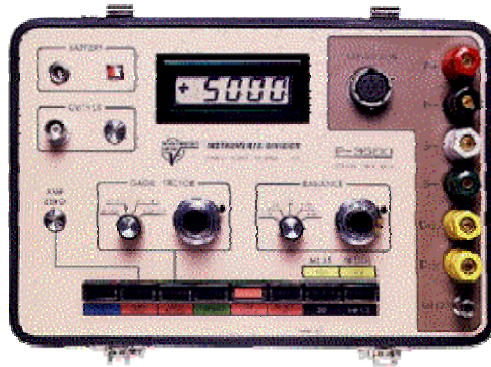


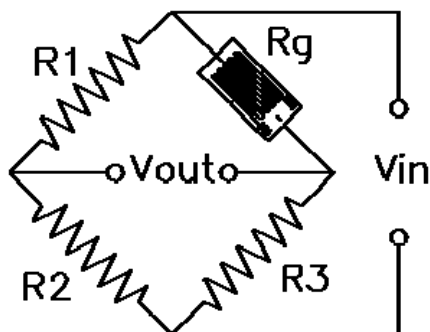
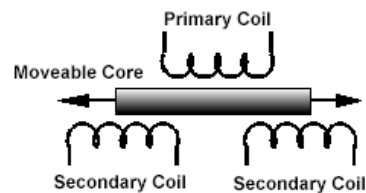
King Fahd University of Petroleum and Minerals
UNIVERSITY DIPLOMA PROGRAM
ELECTRONIC EQUIPMENT MAINTENANCE



EET - 027
ELECTRONICS
INSTRUMENTATION

LAB MANUAL

Term-062



Lab Instructor
MUHAMMAD AJMAL KHAN
Lecturer
Electrical Engineering Department

TABLE OF CONTENTS

- Experiment # 1:** Study and Identification of Various Sensors
- Experiment # 2:** Verify Ohm's Law and Balanced Bridge Circuit
- Experiment # 3:** Wheatstone Bridge Circuit and Measurement of Resistance using Wheatstone Bridge equipment
- Experiment # 4:** Material Behavior
- Experiment # 5:** Thermocouple Voltage Measurement
- Experiment # 6:** Strain Gauge Application and Measurement of Unknown Load
- Experiment # 7:** Strain Gauge Measurement using Strain Indicator
- Experiment # 8:** Strain Gauge Measurement by Applying Displacement using Strain Indicator
- Experiment # 9:** Linear Variable Differential Transformer Measurements
- Experiment # 10:** X-Y Recorder
- Experiment # 11:** Event Counting using Slotted Opto Switch
- Experiment # 12:** PC-Based Data Logging