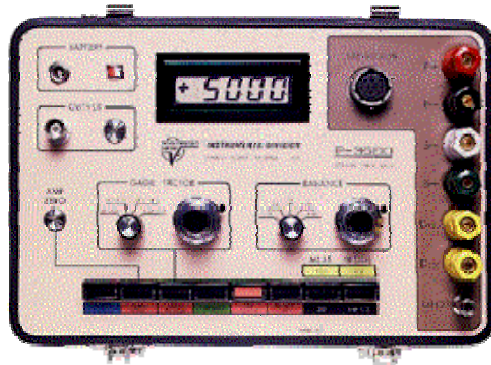


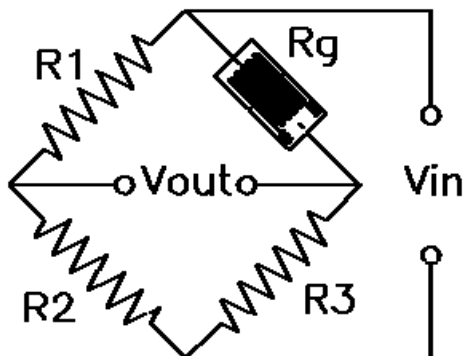
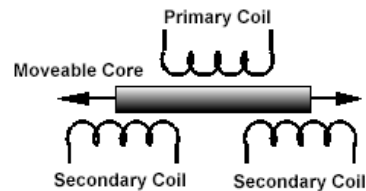
King Fahd University of Petroleum and Minerals
UNIVERSITY DIPLOMA PROGRAM
ELECTRICAL ENGINEERING TECHNOLOGY



EET - 027
ELECTRONICS
INSTRUMENTATION

LAB MANUAL

Term-022



Lab Instructor
M. AJMAL KHAN
Lecturer, EE Dept, KFUPM

TABLE OF CONTENTS

- Experiment # 1:** Introduction of Block Diagrams
- Experiment # 2:** Study and Identification of Various Sensors
- Experiment # 3:** Ohm's Law Verification and Wheatstone Bridge
- Experiment # 4:** Material Behavior
- Experiment # 5:** Thermocouple Voltage Measurement
- Experiment # 6:** Strain Gauge Application and Measurement of Unknown Load
- Experiment # 7:** Strain Gauge Measurement using Strain Indicator
- Experiment # 8:** Strain Gauge Measurement by Applying Displacement using Strain Indicator
- Experiment # 9:** Linear Variable Differential Transformer Measurements
- Experiment # 10:** X-Y Recorder
- Experiment # 11:** Event Counting using Slotted Opto Switch
- Experiment # 12:** PC-Based Data Logging