

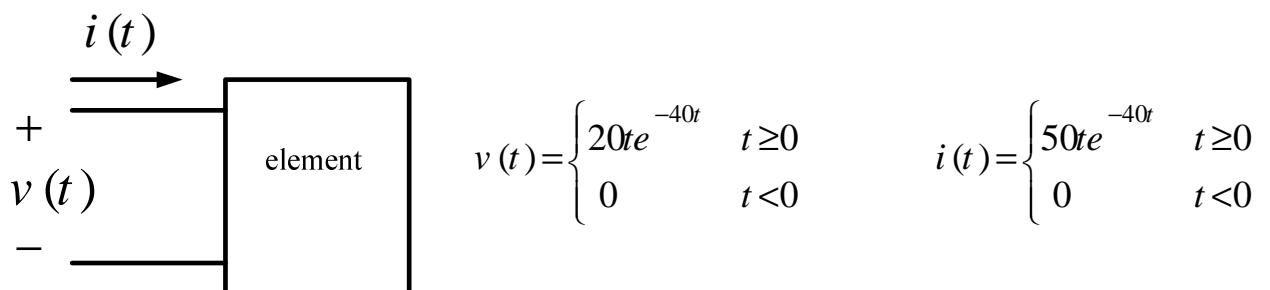
EE 202 (122)

HW1

Due Monday 11/2/2013

Dr. Adil S. Balghonaim

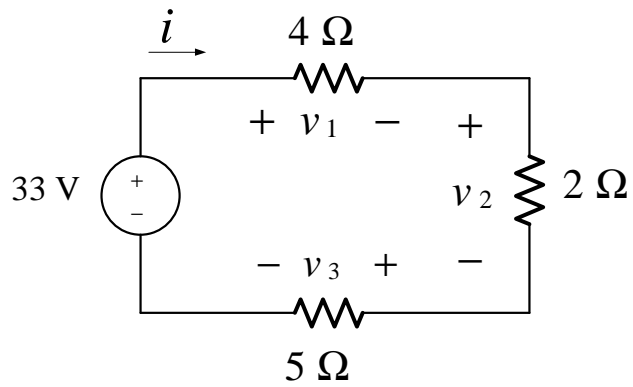
Q1 The current entering the terminal of an element and the voltage across it are



Find the followings:

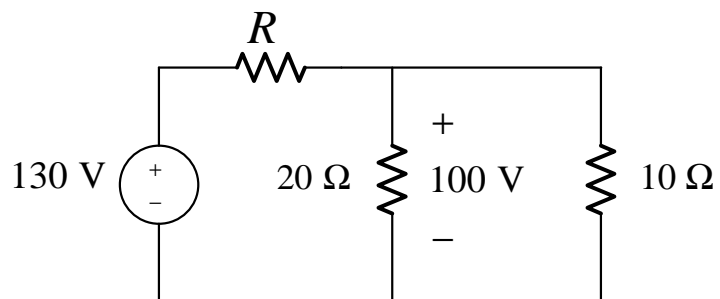
- The total charges entering the element (in milli coulombs) ?
- Find the time when the power delivered to the element is maximum ?
- Find the maximum power delivered to the element ?
- Find the total energy delivered to the element ?

Q2



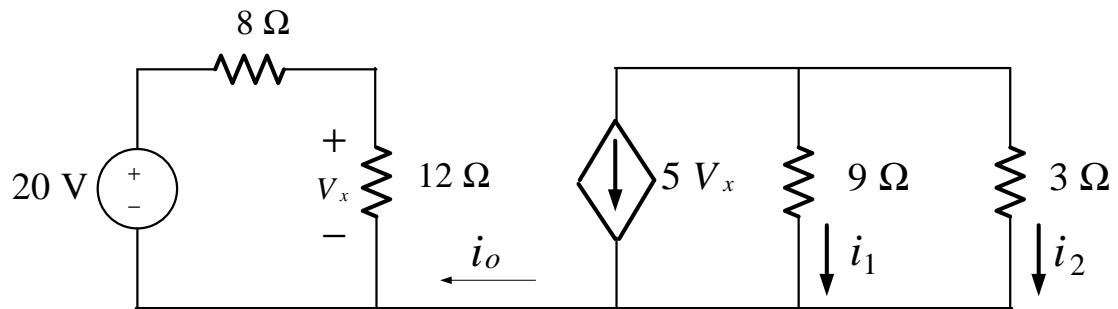
For the circuit shown above , find i , v_1 , v_2 , v_3 ?

Q3



For the circuit shown above , find R ?

Q4



For the circuit shown above , find the followings:

(a) i_o ?

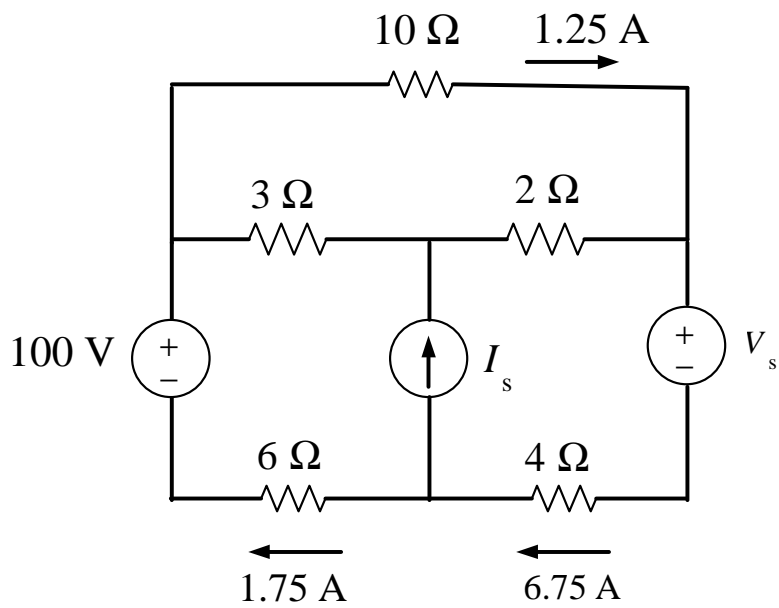
(b) i_1 ?

(c) i_2 ?

(d) The power deliver by the independent source ?

(d) The power absorb by the dependent source ?

Q5



For the circuit shown above , find the followings:

(a) I_s ?

(b) V_s ?

(c) The power absorb by the $2\ \Omega$ resistor ?

(d) power deliver by the independent current source ?