

Name:

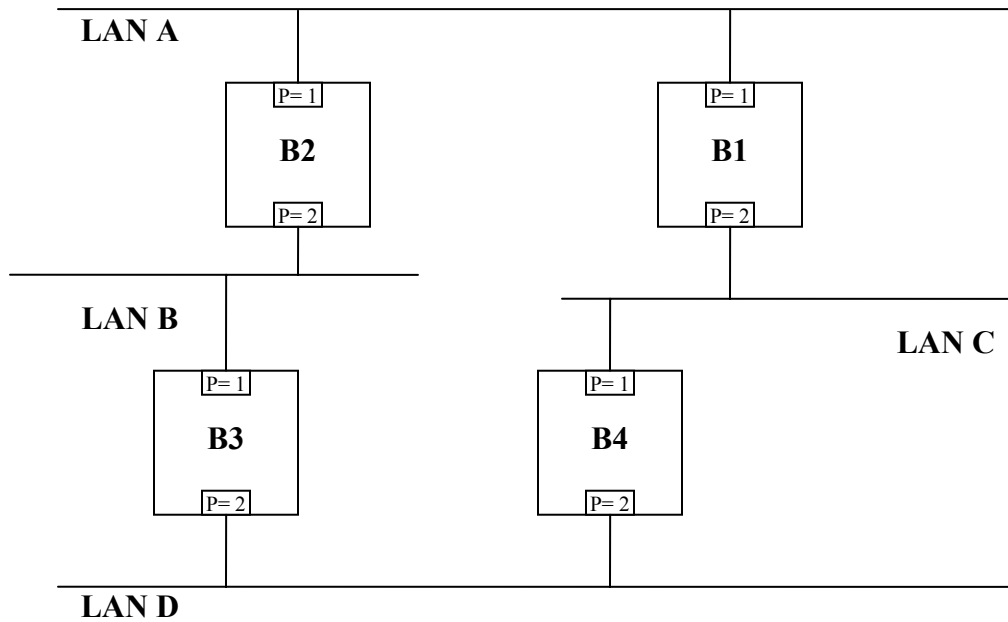
ID:

COE 444 - Internetwork Design and Management (Section 01)
Fall 2004 (Term 041)

Pop Quiz 1

Date: Wednesday, September 22, 2004

Q1. (10 points) Given a network consisting of three 100 Mbps Ethernet LANs interconnected by 4 bridges as illustrated in the figure below. Note that the ID of each bridge is its name.



Assume that we are using fixed routing to configure the bridges. Determine the **central routing directory** for all LANs, and the **routing table for Bridge B3**.

If alternate routes are available then chose the one with the least number of hops. If they are the same then choose the one with the lowest bridge ID.

Central routing directory

		Source LAN			
Destination LAN					

B3 Table

From		From	
Dest.	Next	Dest.	Next