

ICS 233 – Computer Architecture & Assembly Language

Assignment 6 Solution

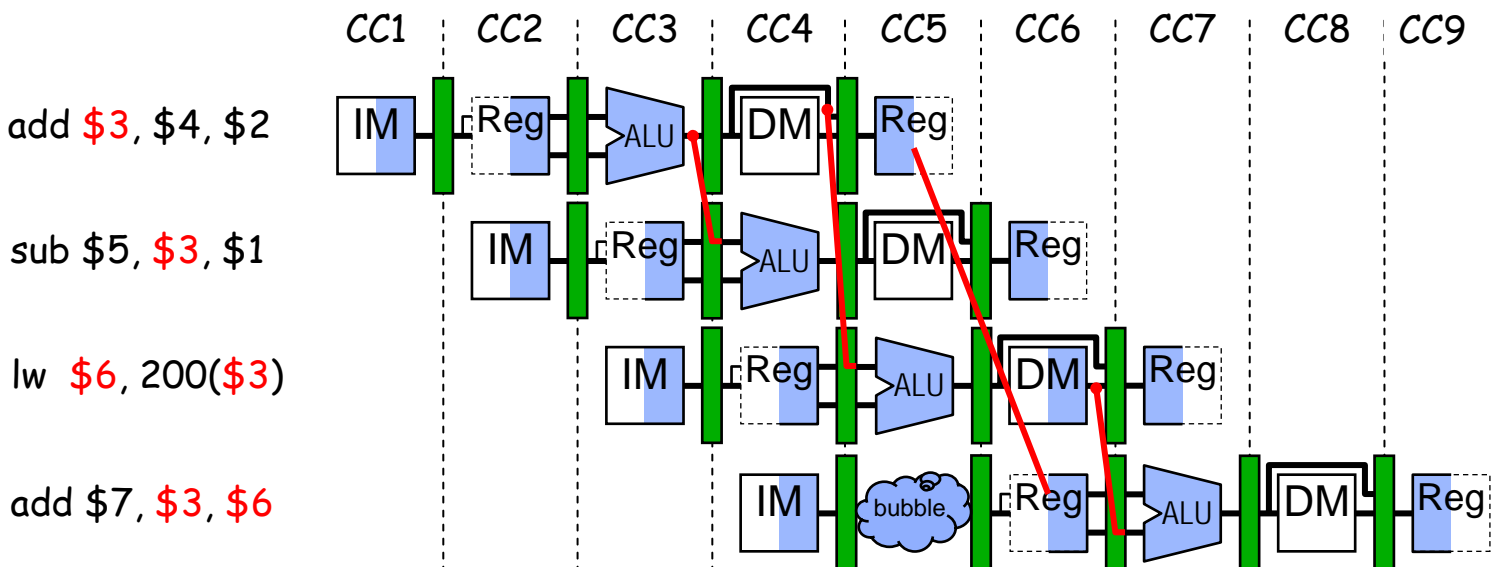
- Identify all of the RAW data dependencies in the following code. Which dependencies are data hazards that will be resolved by forwarding? Which dependencies are data hazards that will cause a stall? Using a multiple-clock-cycle graphical representation, show the forwarding paths and stalled cycles if any.

```
add $3, $4, $2
sub $5, $3, $1
lw $6, 200($3)
add $7, $3, $6
```

Solution:

RAW dependencies:

add \$3, \$4, \$2	and	sub \$5, \$3, \$1	(forwarding)
add \$3, \$4, \$2	and	lw \$6, 200(\$3)	(forwarding)
lw \$6, 200(\$3)	and	add \$7, \$3, \$6	(stall 1 cycle)
add \$3, \$4, \$2	and	add \$7, \$3, \$6	(from register)



2. We have a program of 10^6 instructions in the format of “**lw, add, lw, add, ...**”. The **add** instruction depends only on the **lw** instruction right before it. The **lw** instruction also depends only on the **add** instruction right before it. If this program is executed on the 5-stage MIPS pipeline:
- a) Without forwarding, what would be the actual CPI?
 - b) With forwarding, what would be the actual CPI?

Solution:

- a) **Without forwarding, the value being written into a register can only be read in the same cycle. As a result, there will be a bubble of 2 cycles between a LW and the dependent ADD to allow the LW to progress through the MEM and WB stages. Similarly, there will be a bubble of 2 cycles between an ADD and the dependent LW.**

**Therefore, it takes 6 cycles on average to complete one LW and one ADD.
1 cycle (to complete LW) + 2 cycles (bubbles) + 1 cycle (to complete ADD) + 2 cycles (bubbles) = 6 cycles**

**So, it takes 6 cycles to complete 2 instructions
Average CPI = $6/2 = 3$.**

- b) **With forwarding, there will be a bubble of 1 cycle between a LW and the dependent ADD. However, no bubble exists between an ADD and the dependent LW.**

**Therefore, it takes only 3 cycles on average to to complete one LW and one ADD.
1 cycle (to complete LW) + 1 cycle (bubble) + 1 cycle (to complete ADD) = 3 cycles**

**So, it takes 3 cycles to complete 2 instructions
Average CPI = $3/2 = 1.5$.**

3. We have a program core consisting of five conditional branches. The program core will be executed millions of times. Below are the outcomes of each branch for one execution of the program core (T for taken and N for not taken).

Branch 1: T-T-T

Branch 2: N-N-N-N

Branch 3: T-N-T-N-T-N

Branch 4: T-T-T-N-T

Branch 5: T-T-N-T-T-N-T

Assume that the behavior of each branch remains the same for each program core execution. For dynamic branch prediction schemes, assume that each branch has its own prediction buffer and each buffer is initialized to the same state before each execution. List the predictions and the accuracies for each of the following branch prediction schemes:

- Always taken
- Always not taken
- 1-bit predictor, initialized to predict taken
- 2-bit predictor, initialized to weakly predict taken

Solution:

Prediction accuracy = 100% * Correct Predictions / Total Branches

- Branch 1: prediction: T-T-T, right = 3, wrong = 0**

Branch 2: prediction: T-T-T-T, right = 0, wrong = 4

Branch 3: prediction: T-T-T-T-T-T, right = 3, wrong = 3

Branch 4: prediction: T-T-T-T-T, right = 4, wrong = 1

Branch 5: prediction: T-T-T-T-T-T-T, right = 5, wrong = 2

Total right = 15, Total wrong = 10, Accuracy = 100% * 15/25 = 60%
- Branch 1: prediction: N-N-N, right = 0, wrong = 3**

Branch 2: prediction: N-N-N-N, right = 4, wrong = 0

Branch 3: prediction: N-N-N-N-N-N, right = 3, wrong = 3

Branch 4: prediction: N-N-N-N-N, right = 1, wrong = 4

Branch 5: prediction: N-N-N-N-N-N-N, right = 2, wrong = 5

Total right = 10, Total wrong = 15, Accuracy = 100% * 10/25 = 40%
- Branch 1: prediction: T-T-T, right = 3, wrong = 0**

Branch 2: prediction: T-N-N-N, right = 3, wrong = 1

Branch 3: prediction: T-T-N-T-N-T, right = 1, wrong = 5

Branch 4: prediction: T-T-T-T-N, right = 3, wrong = 2

Branch 5: prediction: T-T-T-N-T-T-N, right = 3, wrong = 4

Total right = 13, Total wrong = 12, Accuracy = 100% * 13/25 = 52%
- Branch 1: prediction: T-T-T, right = 3, wrong = 0**

Branch 2: prediction: T-N-N-N, right = 3, wrong = 1

Branch 3: prediction: T-T-T-T-T-T, right = 3, wrong = 3

Branch 4: prediction: T-T-T-T-T, right = 4, wrong = 1

Branch 5: prediction: T-T-T-T-T-T-T, right = 5, wrong = 2

Total right = 18, Total wrong = 7, Accuracy = 100% * 18/25 = 72%

4. Suppose a computer's address is k bits (using byte addressing), the cache data size is S bytes, the block size is $B = 2^b$ bytes, and the cache is m -way set-associative. Figure out what the following quantities are in terms of S , B , m , b , and k .
- The number of sets in the cache.
 - The number of index bits in the address
 - The number of tag bits in the address
 - The total number of bits required to store all the valid and tag bits in the cache

Solution:

- Number of sets = $S / (B \times m)$
- Number of index bits in address = $\log_2 (S / (B \times m)) = \log_2(S) - \log_2(B) - \log_2(m)$
 $= \log_2(S) - b - \log_2(m)$
- Number of tag bits in address = $k - b - \log_2(S) + b + \log_2(m)$
 $= k - \log_2(S) + \log_2(m)$
- Total number of valid and tag bits in cache =
 $m \times (1 + k - \log_2(S) + \log_2(m)) \times S / (B \times m) =$
 $(1 + k - \log_2(S) + \log_2(m)) \times S / B$

5. Consider a processor with a 2 ns clock cycle, a miss penalty of 20 clock cycles, a miss rate of 0.05 misses per instruction, and a cache access time (hit time) of 1 clock cycle. Assume that the read and write miss penalties are the same.
- Find the average memory access time (AMAT).
 - Suppose we can improve the miss rate to 0.03 misses per instruction by doubling the cache size. However, this causes the cache access time to increase to 1.2 cycles. Using the AMAT as a metric, determine if this is a good trade-off.
 - If the cache access time determines the processor's clock cycle time, which is often the case, AMAT may not correctly indicate whether one cache organization is better than another. If the processor's clock cycle time must be changed to match that of a cache, is this a good trade-off? Assume that the processors in part (a) and (b) are identical, except for the clock rate and the cache miss rate. Assume 1.5 references per instruction (for both I-cache and D-cache) and a CPI without cache misses of 2. The miss penalty is 20 cycles for both processors.

Solution:

a) **AMAT = Hit time + Miss rate × Miss penalty**

$$= 2 \text{ ns} + 0.05 \times (20 \times 2 \text{ ns}) = 4 \text{ ns}$$

b) **AMAT = 1.2 × 2 ns + 0.03 × 20 × 2 ns = 2.4 ns + 1.2 ns = 3.6 ns**

Yes, this is a good trade-off.

c) **CPU time = Clock cycle × IC × (CPI_{ideal-cache} + cache stall cycles per instruction)**

$$\text{CPU time(a)} = 2 \text{ ns} \times \text{IC} \times (2 + 1.5 \times 20 \times 0.05) = 7 \times \text{IC}$$

$$\text{CPU time(b)} = 2.4 \text{ ns} \times \text{IC} \times (2 + 1.5 \times 20 \times 0.03) = 6.96 \times \text{IC}$$

The CPU times in parts (a) and (b) are almost identical. Hence, doubling the cache size to improve the miss rate at the expense of stretching the clock cycle results in essentially no net gain.