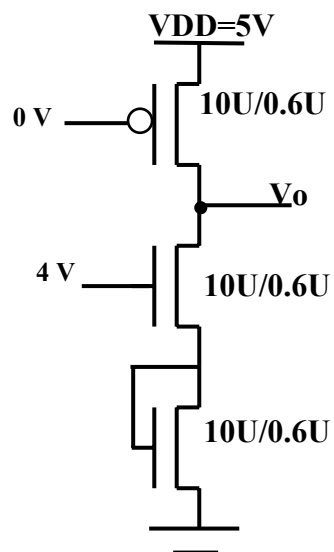
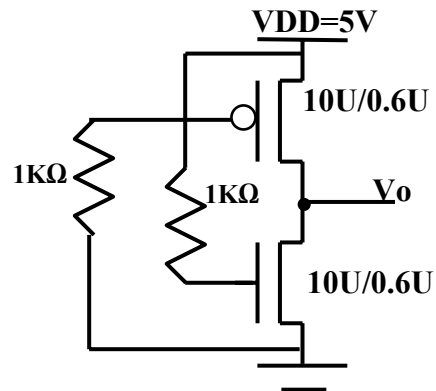
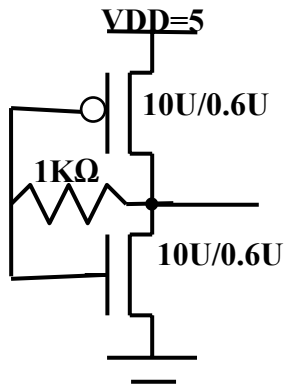


**COE360 – Assignment # 3**  
**Dr. M. Elrabaa (042)**

**Q1) For the circuits shown, assume  $V_{tn}=V_{tp}=0.8V$  and make any other reasonable assumptions you need to calculate  $V_o$ .**

$I_{Dsat_{nmos}} = 500 \mu A/\mu m, I_{Dsat_{pmos}} = 200 \mu A/\mu m$



**Ungraded Exercise: Solve problems 5.1, 5.4, 5.5 and 5.6 from the text book**