

Standard & Canonical Forms

CHAPTER OBJECTIVES

- Learn Binary Logic and BOOLEAN Algebra Learn How to Map a Boolean Expression into Logic Circuit Implementation Learn How To Manipulate Boolean Expressions and Simplify Them **Lesson Objectives** Learn how to **derive** a Boolean expression of a function defined by its truth table. The derived expressions may be in one of two possible standard forms: *The Sum of Min-terms* or the *Product of Max-Terms*.
- 2. Learn how to **map** these expressions into logic circuit implementations (2-Level Implementations).

MinTerms

- Consider a system of 3 input signals (variables) x, y, & z.
- A term which ANDs all input variables, either in the true or complement form, is called a minterm.
- Thus, the considered 3-input system has 8 minterms, namely:
$$\bar{x}\bar{y}\bar{z}, \bar{x}\bar{y}z, \bar{x}y\bar{z}, \bar{x}yz, x\bar{y}\bar{z}, x\bar{y}z, xy\bar{z} \text{ \& } xyz$$
- Each minterm equals 1 at exactly one particular input combination and is equal to 0 at all other combinations
- Thus, for example, $\bar{x}\bar{y}\bar{z}$ is always equal to 0 except for the input combination $xyz = \mathbf{000}$, where it is equal to 1.
- Accordingly, the minterm $\bar{x}\bar{y}\bar{z}$ is referred to as m_0 .
- In general, minterms are designated m_i , where i corresponds the input combination at which this minterm is equal to 1.

- For the 3-input system under consideration, the number of possible input combinations is 2^3 , or 8. This means that the system has a total of 8 minterms as follows:

➤ $m_0 = \bar{x} \bar{y} \bar{z} = 1$	IFF	$xyz = 000$, otherwise it equals 0
➤ $m_1 = \bar{x} y \bar{z} = 1$	IFF	$xyz = 001$, otherwise it equals 0
➤ $m_2 = \bar{x} y z = 1$	IFF	$xyz = 010$, otherwise it equals 0
➤ $m_3 = \bar{x} \bar{y} z = 1$	IFF	$xyz = 011$, otherwise it equals 0
➤ $m_4 = x \bar{y} \bar{z} = 1$	IFF	$xyz = 100$, otherwise it equals 0
➤ $m_5 = x \bar{y} z = 1$	IFF	$xyz = 101$, otherwise it equals 0
➤ $m_6 = x y \bar{z} = 1$	IFF	$xyz = 110$, otherwise it equals 0
➤ $m_7 = x y z = 1$	IFF	$xyz = 111$, otherwise it equals 0

In general,

- For n -input variables, the number of minterms = the total number of possible input combinations = 2^n .
- A minterm = 0 at all input combinations except one where the minterm = 1.

MaxTerms

- Consider a circuit of 3 input signals (variables) x , y , & z .
- A term which ORs all input variables, either in the true or complement form, is called a Maxterm.
- With 3-input variables, the system under consideration has a total of 8 Maxterms, namely:

$$(x + y + z), (x + y + \bar{z}), (x + \bar{y} + z), (x + \bar{y} + \bar{z}), (\bar{x} + y + z), (\bar{x} + y + \bar{z}), (\bar{x} + \bar{y} + z) \& (\bar{x} + \bar{y} + \bar{z})$$

- Each Maxterm equals 0 at exactly one of the 8 possible input combinations and is equal to 1 at all other combinations.
- For example, $(x + y + z)$ equals 1 at all input combinations except for the combination $xyz = 000$, where it is equal to 0.
- Accordingly, the Maxterm $(x + y + z)$ is referred to as M_0 .
- In general, Maxterms are designated M_i , where i corresponds to the input combination at which this Maxterm is equal to 0.

- For the 3-input system, the number of possible input combinations is 2^3 , or 8.

This means that the system has a total of 8 Maxterms as follows:

- $M_0 = (x + y + z) = 0$ IFF $xyz = 000$, otherwise it equals 1
- $M_1 = (x + y + \bar{z}) = 0$ IFF $xyz = 001$, otherwise it equals 1
- $M_2 = (x + \bar{y} + z) = 0$ IFF $xyz = 010$, otherwise it equals 1
- $M_3 = (x + \bar{y} + \bar{z}) = 0$ IFF $xyz = 011$, otherwise it equals 1
- $M_4 = (\bar{x} + y + z) = 0$ IFF $xyz = 100$, otherwise it equals 1
- $M_5 = (\bar{x} + y + \bar{z}) = 0$ IFF $xyz = 101$, otherwise it equals 1
- $M_6 = (\bar{x} + \bar{y} + z) = 0$ IFF $xyz = 110$, otherwise it equals 1
- $M_7 = (\bar{x} + \bar{y} + \bar{z}) = 0$ IFF $xyz = 111$, otherwise it equals 1

In general,

- For n -input variables, the number of Maxterms = the total number of possible input combinations = 2^n .
- A Maxterm = 1 at all input combinations except one where the Maxterm = 0.

Important Result

Using De-Morgan's theorem, or truth tables, it can be easily shown that:

$$M_i = \overline{m_i} \quad \forall i=0,1,2,\dots,(2^n - 1)$$

Expressing Functions as a Sum of Minterms and Product of Maxterms

Example: Consider the function F defined by the shown truth table

Now let's **rewrite** the table, with few **added columns**.

- A column i indicating the input combination
- Four columns of minterms m_2, m_4, m_5 and m_7
- One last column **OR-ing** the above minterms ($m_2 + m_4 + m_5 + m_7$)

x	y	z	F
0	0	0	0
0	0	1	0
0	1	0	1
0	1	1	0
1	0	0	1
1	0	1	1
1	1	0	0
1	1	1	1

i	x	y	z	F	m_2	m_4	m_5	m_7	$m_2 + m_4 + m_5 + m_7$
0	0	0	0	0	0	0	0	0	0
1	0	0	1	0	0	0	0	0	0
2	0	1	0	1	1	0	0	0	1
3	0	1	1	0	0	0	0	0	0
4	1	0	0	1	0	1	0	0	1
5	1	0	1	1	0	0	1	0	1
6	1	1	0	0	0	0	0	0	0
7	1	1	1	1	0	0	0	1	1

- From this table, we can clearly see that $F = m_2 + m_4 + m_5 + m_7$
- This is logical since $F = 1$, only at input combinations $i = 2, 4, 5$ and 7
- Thus, by ORing minterm m_2 (which has a value of 1 only at input combination $i = 2$) with minterm m_4 (which has a value of 1 only at input combination $i = 4$) with minterm m_5 (which has a value of 1 only at input combination $i = 5$) with minterm m_7 (which has a value of 1 only at input combination $i = 7$) the resulting function will equal F .
- In general, Any function can be expressed by *OR-ing* all minterms (m_i) corresponding to input combinations (i) at which the function has a value of 1.
- The resulting expression is commonly referred to as the *SUM of minterms* and is typically expressed as $F = \Sigma(2, 4, 5, 7)$, where Σ indicates OR-ing of the indicated minterms. Thus, $F = \Sigma(2, 4, 5, 7) = (m_2 + m_4 + m_5 + m_7)$

Example:

- Consider the function F of the previous example.
- We will, first, derive the sum of minterms expression for the complement function F' .

The truth table of F' shows that F' equals 1 at $i = 0, 1, 3$ and 6 , then,

$$F' = m_0 + m_1 + m_3 + m_6, \text{ i.e.}$$

$$F' = \Sigma(0, 1, 3, 6), \tag{1}$$

$$F = \Sigma(2, 4, 5, 7) \tag{2}$$

- Obviously, the sum of minterms expression of F' contains all minterms that do not appear in the sum of minterms expression of F .

i	x	y	z	F	F'
0	0	0	0	0	1
1	0	0	1	0	1
2	0	1	0	1	0
3	0	1	1	0	1
4	1	0	0	1	0
5	1	0	1	1	0
6	1	1	0	0	1
7	1	1	1	1	0

Using De-Morgan theorem on equation (2),

$$\overline{F} = \overline{(m_2 + m_4 + m_5 + m_7)} = \overline{m_2} \cdot \overline{m_4} \cdot \overline{m_5} \cdot \overline{m_7} = M_2 \cdot M_4 \cdot M_5 \cdot M_7$$

This form is designated as the *Product of Maxterms* and is expressed using the \prod symbol, which is used to designate product in regular algebra, but is used to designate AND-ing in Boolean algebra.

Thus,

$$F' = \prod (2, 4, 5, 7) = M_2 \cdot M_4 \cdot M_5 \cdot M_7 \quad (3)$$

From equations (1) and (3) we get,

$$F' = \sum(0, 1, 3, 6) = \prod(2, 4, 5, 7)$$

In general, *any function can be expressed both as a sum of minterms and as a product of maxterms*. Consider the derivation of F back from F' given in equation (3):

$$F = \overline{\overline{F}} = \overline{\overline{m_0 + m_1 + m_3 + m_6}} = \overline{\overline{m_0} \cdot \overline{\overline{m_1}} \cdot \overline{\overline{m_3}} \cdot \overline{\overline{m_6}}} = M_0 \cdot M_1 \cdot M_3 \cdot M_6$$

$$F = \sum(2, 4, 5, 7) = \prod(0, 1, 3, 6)$$

$$F' = \prod(2, 4, 5, 7) = \sum(0, 1, 3, 6)$$

Conclusions:

- Any function can be expressed both as a sum of minterms ($\sum m_i$) and as a product of maxterms. The product of maxterms expression ($\prod M_j$) expression of F contains all maxterms M_j ($\forall j \neq i$) that do not appear in the sum of minterms expression of F.
- The sum of minterms expression of F' contains all minterms that do not appear in the sum of minterms expression of F.
- This is true for all complementary functions. Thus, each of the 2^n minterms will appear either in the sum of minterms expression of F or the sum of minterms expression of \overline{F} but not both.
- The product of maxterms expression of F' contains all maxterms that do not appear in the product of maxterms expression of F.
- This is true for all complementary functions. Thus, each of the 2^n maxterms will appear either in the product of maxterms expression of F or the product of maxterms expression of \overline{F} but not both.

Example:

Given that $F(a, b, c, d) = \sum(0, 1, 2, 4, 5, 7)$, derive the product of maxterms expression of F and the 2 standard form expressions of F' .

Since the system has 4 input variables (a, b, c & d) \rightarrow The number of minterms and Maxterms = $2^4 = 16$

$$F(a, b, c, d) = \sum(0, 1, 2, 4, 5, 7)$$

1. List all maxterms in the Product of maxterms expression

$$F = \prod(0, 1, 2, 3, 4, 5, 6, 7, 8, 9, 10, 11, 12, 13, 14, 15).$$

$$F = \prod(\cancel{0}, \cancel{1}, \cancel{2}, 3, \cancel{4}, \cancel{5}, \cancel{6}, \cancel{7}, 8, 9, 10, 11, 12, 13, 14, \cancel{15}).$$

2. Cross out maxterms corresponding to input combinations of the minterms appearing in the sum of minterms expression

$$F = \prod(3, 6, 8, 9, 10, 11, 12, 13, 14, 15).$$

Similarly, obtain both canonical form expressions for F'

$$F' = \sum(3, 6, 8, 9, 10, 11, 12, 13, 14, 15).$$

$$F' = \prod(0, 1, 2, 4, 5, 7)$$

Canonical Forms:

The sum of minterms and the product of maxterms forms of Boolean expressions are known as the canonical forms () of a function.

Standard Forms:

- A product term is a term with ANDed literals*. Thus, AB , $A'B$, $A'CD$ are all product terms.
- A minterm is a special case of a product term where all input variables appear in the product term either in the true or complement form.
- A sum term is a term with ORed literals*. Thus, $(A+B)$, $(A'+B)$, $(A'+C+D)$ are all sum terms.
- A maxterm is a special case of a sum term where all input variables, either in the true or complement form, are ORed together.
- Boolean functions can generally be expressed in the form of a Sum of Products (SOP) or in the form of a Product of Sums (POS).
- The sum of minterms form is a special case of the SOP form where all product terms are minterms.
- The product of maxterms form is a special case of the POS form where all sum terms are maxterms.
- The SOP and POS forms are Standard forms for representing Boolean functions.

* A Boolean variable in the true or complement forms

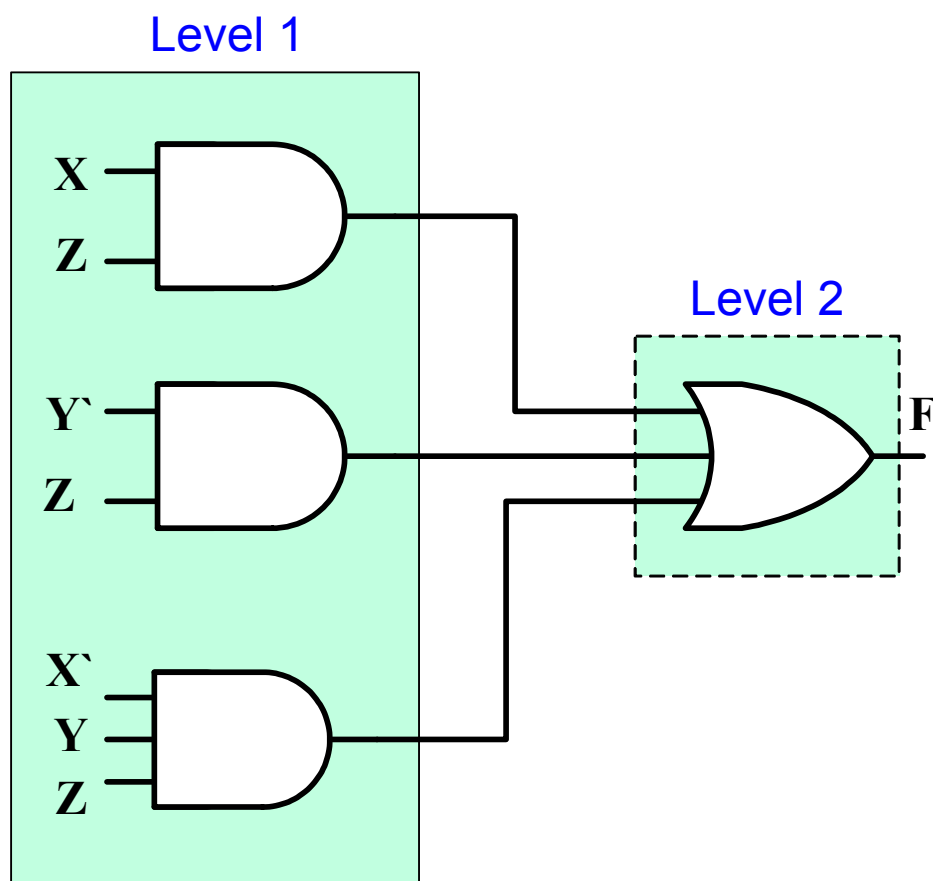
Two-Level Implementations of Standard Forms

Sum of Products Expression (SOP):

- Any SOP expression can be implemented in 2-levels of gates.
- The **first level** consists of a number of **AND** gates which equals the number of product terms in the expression. Each AND gate implements one of the product terms in the expression.
- The **second level** consists of a **SINGLE OR gate** whose number of inputs equals the number of product terms in the expression.

Example Implement the following SOP function

$$F = XZ + Y'Z + X'YZ$$



Two-Level Implementation ($F = XZ + Y'Z + X'YZ$)

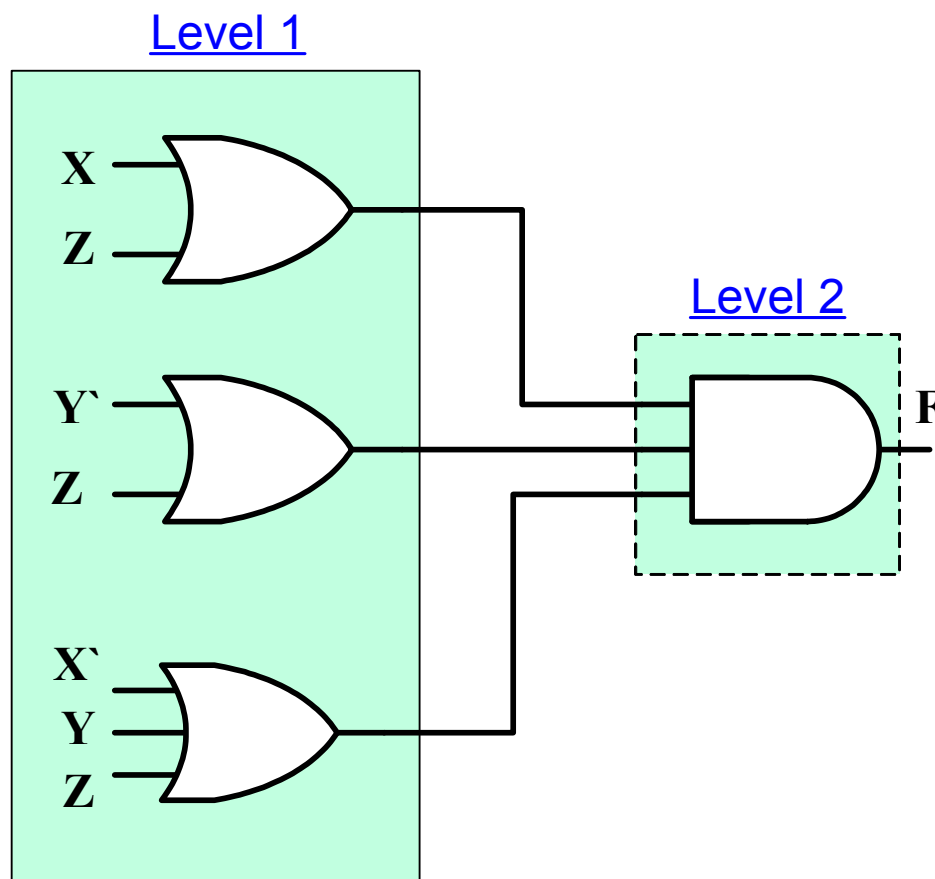
Level-1: AND-Gates ; **Level-2:** One OR-Gate

Product of Sums Expression (POS):

- Any POS expression can be implemented in 2-levels of gates
- The **first level** consists of a number of **OR** gates which equals the number of sum terms in the expression, each gate implements one of the sum terms in the expression.
- The **second level** consists of a **SINGLE AND** gate whose number of inputs equals the number of sum terms.

Example Implement the following SOP function

$$F = (X+Z)(Y'+Z)(X'+Y+Z)$$



Two-Level Implementation $\{F = (X+Z)(Y'+Z)(X'+Y+Z)\}$

Level-1: OR-Gates ; **Level-2:** One AND-Gate