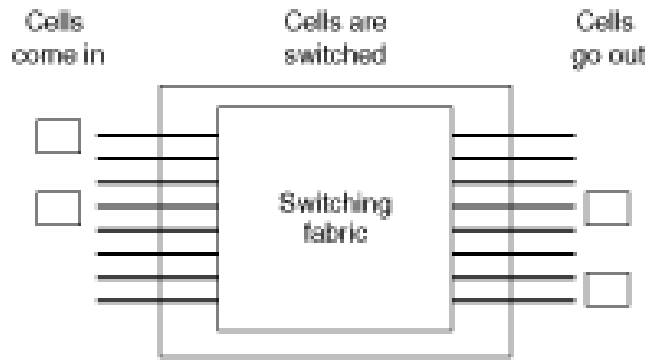


Generic ATM Switch



January 2000

High-Speed Networks©Almulhem

1

ATM Switching

- Cells get switched in a synchronous fashion.
- During one cell time:
 - » a cell is taken from an input port
 - » a cell is switched inside the fabric
 - » a cell is served on the output port

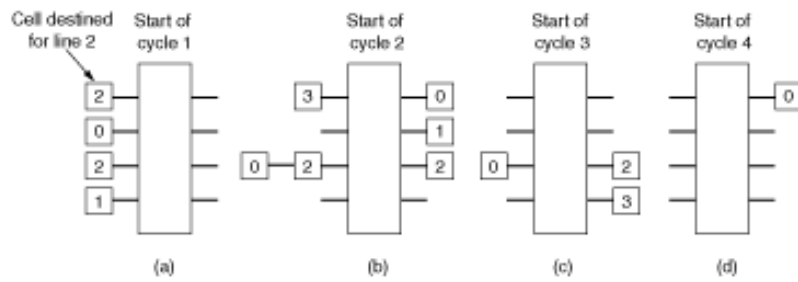
January 2000

High-Speed Networks©Almulhem

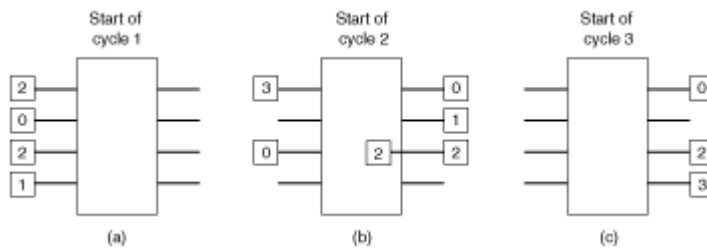
2

Input Queuing

- Head-of-line blocking.



Output Queuing



Homework #1

- Using MATLAB, build an ATM switch as described earlier. The switch should do input queuing, output queuing or both.
 - Start with a single queue
 - Build a 2x2 switch
 - Build an NxN switch
- Deadline is Saturday Feb 24, 2001.