

# Integer Multiplication and Division

ICS 233

Computer Architecture and Assembly Language

Dr. Aiman El-Maleh

College of Computer Sciences and Engineering

King Fahd University of Petroleum and Minerals

[Adapted from slides of Dr. M. Mudawar, ICS 233, KFUPM]

# Outline

- ❖ Unsigned Multiplication
- ❖ Signed Multiplication
- ❖ Unsigned Division
- ❖ Signed Division
- ❖ Multiplication and Division in MIPS

# Unsigned Multiplication

❖ Paper and Pencil Example:

Multiplicand

Multiplier

$$\begin{array}{r} 1100_2 = 12 \\ \times 1101_2 = 13 \\ \hline \end{array}$$

$$\begin{array}{r} 1100 \\ 0000 \\ 1100 \\ 1100 \\ \hline \end{array}$$

Binary multiplication is easy

$0 \times \text{multiplicand} = 0$

$1 \times \text{multiplicand} = \text{multiplicand}$

Product

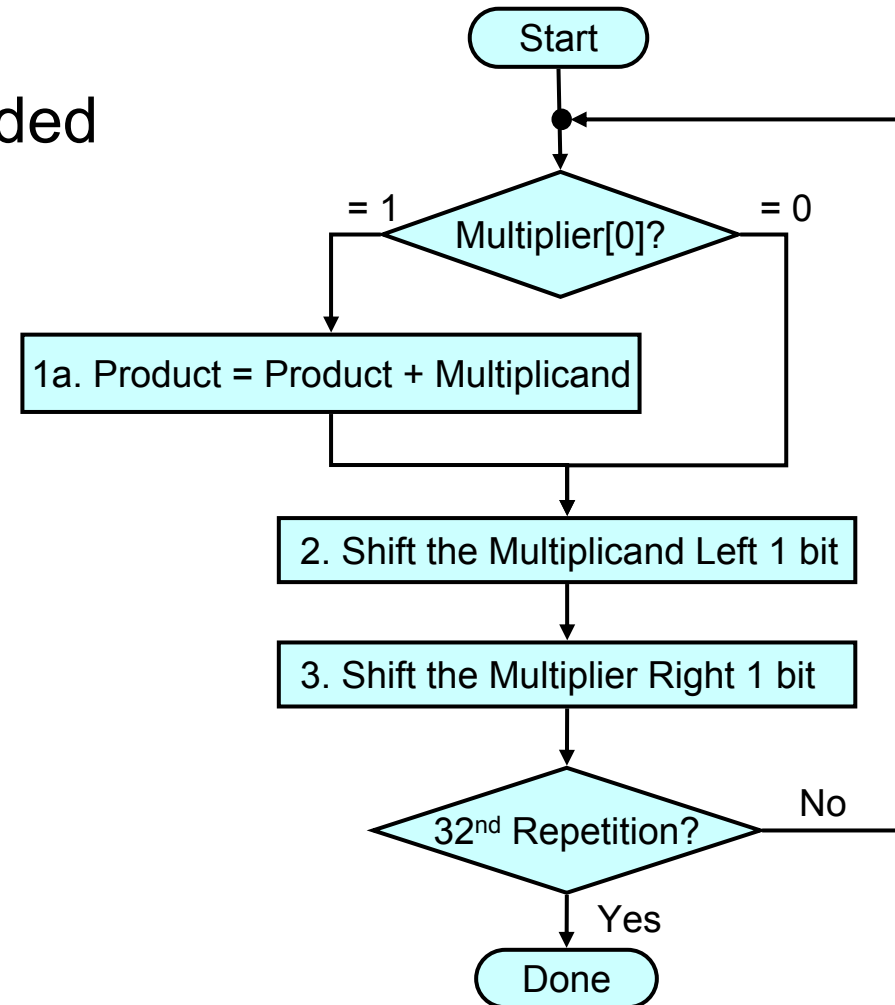
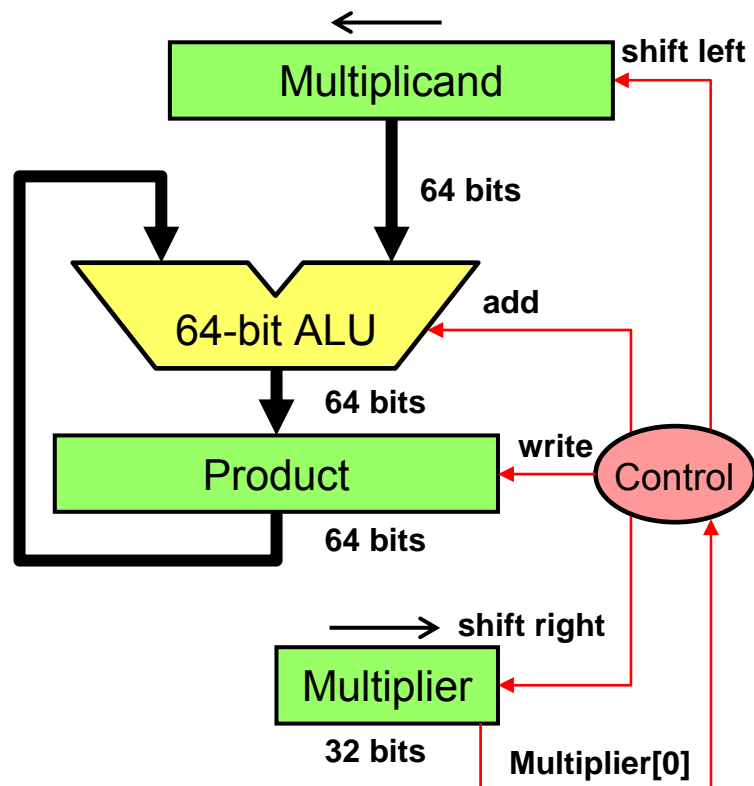
$$10011100_2 = 156$$

❖  $m$ -bit multiplicand  $\times$   $n$ -bit multiplier =  $(m+n)$ -bit product

❖ Accomplished via **shifting** and **addition**

# Version 1 of Multiplication Hardware

- ❖ Initialize Product = 0
- ❖ Multiplicand is zero extended



# Multiplication Example (Version 1)

- ❖ Consider:  $1100_2 \times 1101_2$  , Product =  $10011100_2$
- ❖ 4-bit multiplicand and multiplier are used in this example
- ❖ Multiplicand is zero extended because it is **unsigned**

Iteration		Multiplicand	Multiplier	Product
0	Initialize	00001100	1101	00000000
1	Multiplier[0] = 1 => ADD			+ → 00001100
	SLL Multiplicand and SRL Multiplier	00011000	0110	
2	Multiplier[0] = 0 => Do Nothing			00001100
	SLL Multiplicand and SRL Multiplier	00110000	0011	
3	Multiplier[0] = 1 => ADD			+ → 00111100
	SLL Multiplicand and SRL Multiplier	01100000	0001	
4	Multiplier[0] = 1 => ADD			+ → 10011100
	SLL Multiplicand and SRL Multiplier	11000000	0000	

# Observation on Version 1 of Multiply

- ❖ Hardware in version 1 can be optimized
- ❖ Rather than shifting the multiplicand to the left

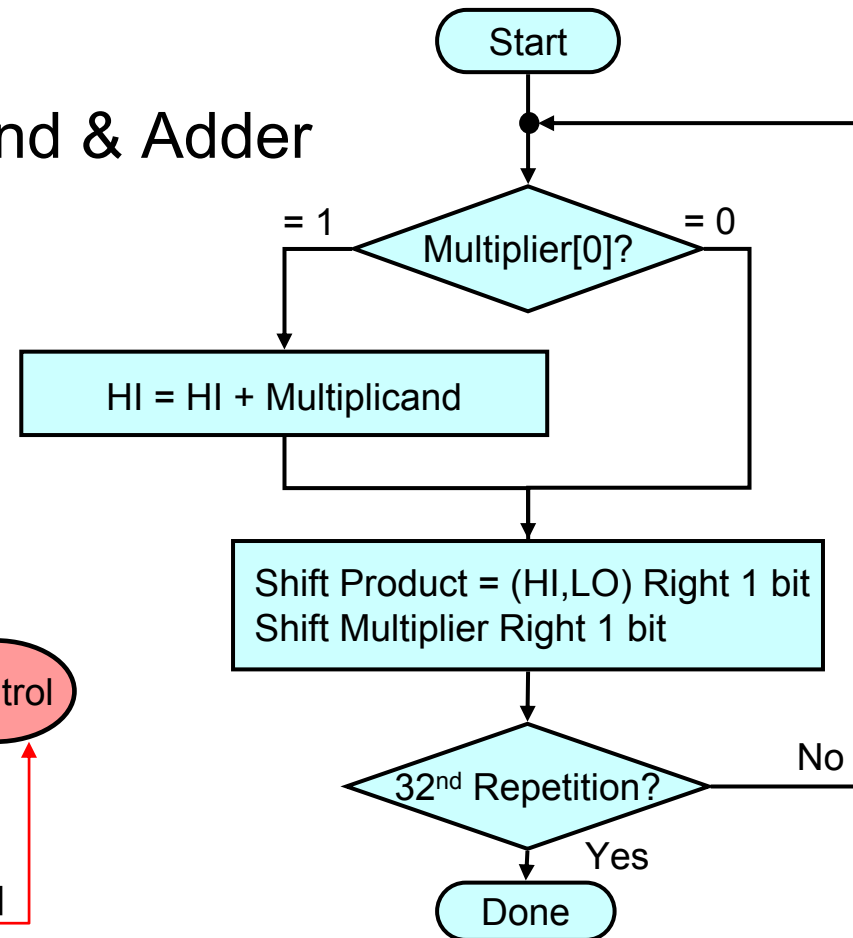
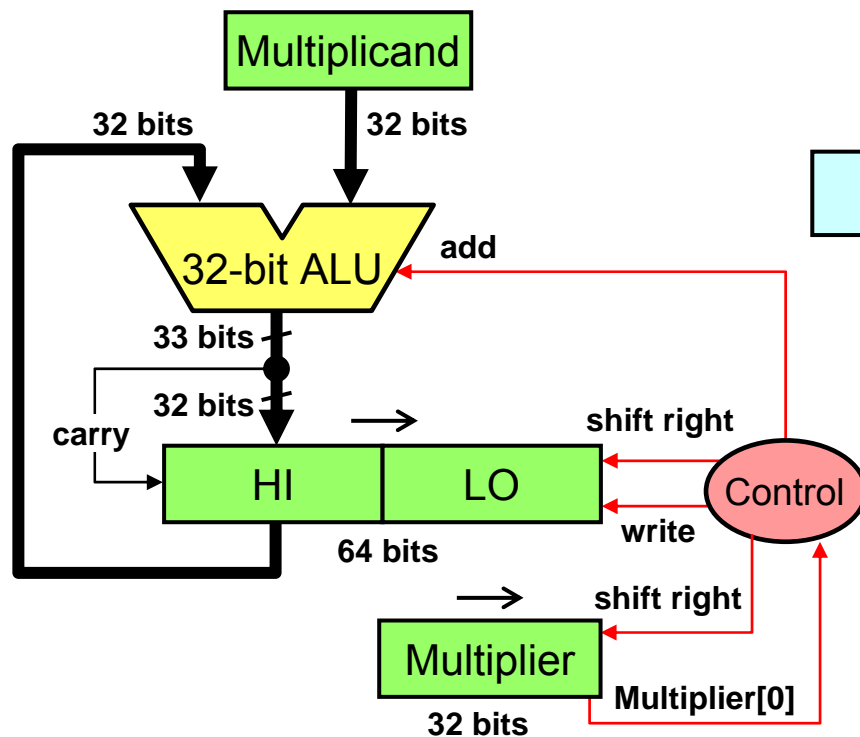
Instead, **shift the product to the right**

Has the same net effect and produces the same results

- ❖ Reduce Hardware
  - ✧ Multiplicand register can be reduced to 32 bits only
  - ✧ We can also reduce the adder size to 32 bits
- ❖ One cycle per iteration
  - ✧ Shifting and addition can be done simultaneously

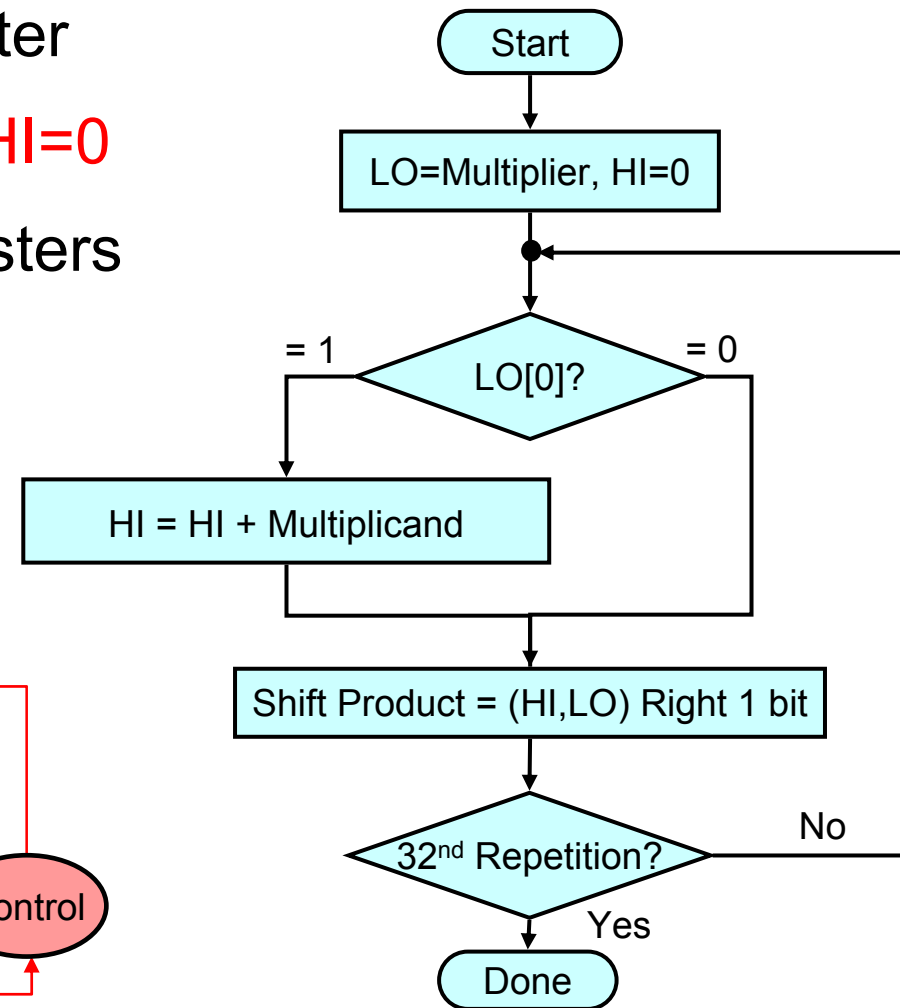
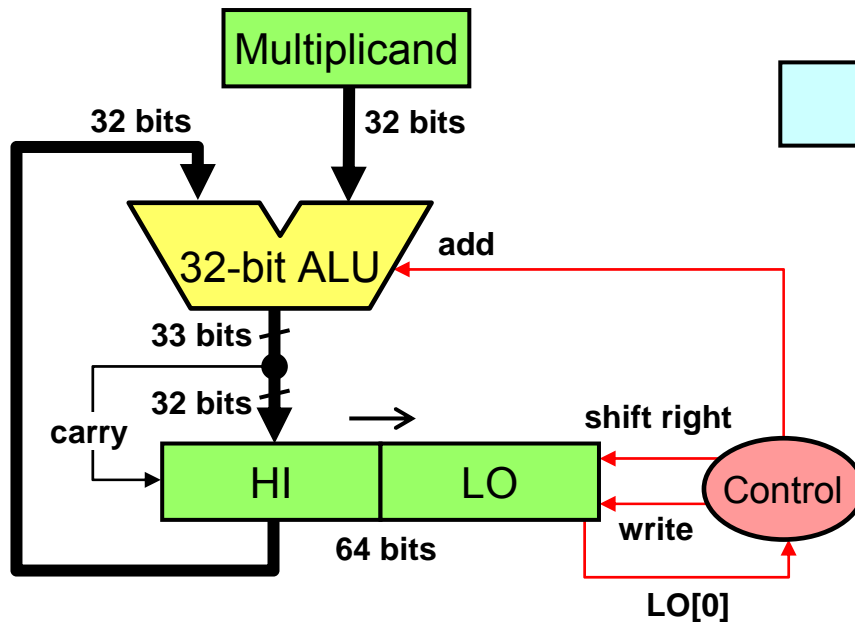
# Version 2 of Multiplication Hardware

- ❖ Product = HI and LO registers, HI=0
- ❖ Product is shifted right
- ❖ Reduced 32-bit Multiplicand & Adder



# Refined Version of Multiply Hardware

- ❖ Eliminate Multiplier Register
- ❖ Initialize **LO = Multiplier, HI=0**
- ❖ **Product = HI and LO** registers





# Multiply Example (Refined Version)

- ❖ Consider:  $1100_2 \times 1101_2$ , Product =  $10011100_2$
- ❖ 4-bit multiplicand and multiplier are used in this example
- ❖ 4-bit adder produces a **5-bit sum** (with carry)

Iteration		Multiplicand	Carry	Product = HI, LO
0	Initialize (LO = Multiplier, HI=0)	1 1 0 0		0 0 0 0 1 1 0 1
1	LO[0] = 1 => ADD	1 1 0 0	0	1 1 0 0 1 1 0 1
	Shift Right Product = (HI, LO)	1 1 0 0		0 1 1 0 0 1 1 0
2	LO[0] = 0 => Do Nothing			
	Shift Right Product = (HI, LO)	1 1 0 0		0 0 1 1 0 0 1 1
3	LO[0] = 1 => ADD	1 1 0 0	0	1 1 1 1 0 0 1 1
	Shift Right Product = (HI, LO)	1 1 0 0		0 1 1 1 1 0 0 1
4	LO[0] = 1 => ADD	1 1 0 0	1	0 0 1 1 1 0 0 1
	Shift Right Product = (HI, LO)	1 1 0 0		1 0 0 1 1 1 0 0

# Next ...

- ❖ Unsigned Multiplication
- ❖ Signed Multiplication
- ❖ Unsigned Division
- ❖ Signed Division
- ❖ Multiplication and Division in MIPS

# Signed Multiplication

- ❖ So far, we have dealt with unsigned integer multiplication
- ❖ Version 1 of Signed Multiplication
  - ✧ Convert multiplier and multiplicand into positive numbers
    - If negative then obtain the 2's complement and remember the sign
  - ✧ Perform unsigned multiplication
  - ✧ Compute the sign of the product
  - ✧ If product sign  $< 0$  then obtain the 2's complement of the product
- ❖ Refined Version:
  - ✧ Use the refined version of the unsigned multiplication hardware
  - ✧ When shifting right, **extend the sign** of the product
  - ✧ If multiplier is negative, the **last step** should be a **subtract**

# Signed Multiplication (Pencil & Paper)

## ❖ Case 1: Positive Multiplier

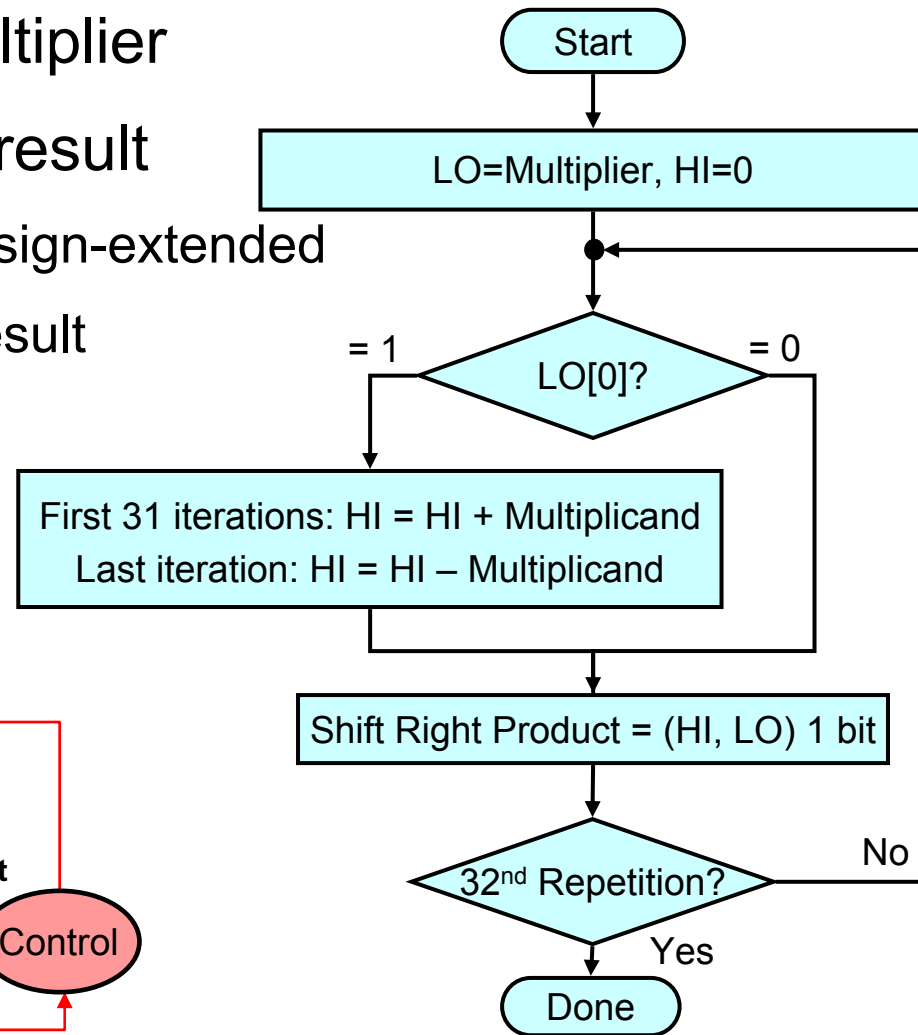
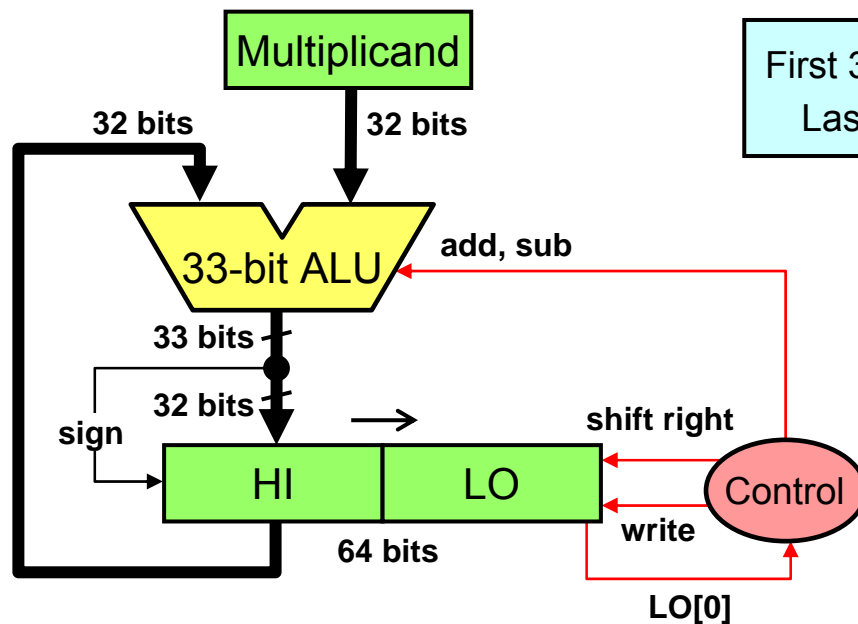
$$\begin{array}{r}
 \text{Multiplicand} \quad 1100_2 = -4 \\
 \text{Multiplier} \quad \times 0101_2 = +5 \\
 \hline
 \text{Sign-extension} \left\{ \begin{array}{l} \rightarrow 11111100 \\ \rightarrow 111100 \end{array} \right. \\
 \hline
 \text{Product} \quad 11101100_2 = -20
 \end{array}$$

## ❖ Case 2: Negative Multiplier

$$\begin{array}{r}
 \text{Multiplicand} \quad 1100_2 = -4 \\
 \text{Multiplier} \quad \times 1101_2 = -3 \\
 \hline
 \text{Sign-extension} \left\{ \begin{array}{l} \rightarrow 11111100 \\ \rightarrow 111100 \end{array} \right. \\
 \quad \quad \quad 00100 \quad (2\text{'s complement of } 1100) \\
 \hline
 \text{Product} \quad 00001100_2 = +12
 \end{array}$$

# Signed Multiplication Hardware

- ❖ Similar to Unsigned Multiplier
- ❖ ALU produces a 33-bit result
  - ✧ Multiplicand and HI are sign-extended
  - ✧ Sign is the sign of the result



# Signed Multiplication Example

- ❖ Consider:  $1100_2$  (-4)  $\times$   $1101_2$  (-3), Product =  $00001100_2$
- ❖ Multiplicand and HI are **sign-extended** before addition
- ❖ Last iteration: add 2's complement of Multiplicand

Iteration		Multiplicand	Sign	Product = HI, LO
0	Initialize (LO = Multiplier)	1 1 0 0		0 0 0 0 1 1 0 1
1	LO[0] = 1 => ADD	1 1 0 0	1	1 1 0 0 1 1 0 1
	Shift Product = (HI, LO) right 1 bit	1 1 0 0		1 1 1 0 0 1 1 0
2	LO[0] = 0 => Do Nothing			
	Shift Product = (HI, LO) right 1 bit	1 1 0 0		1 1 1 1 0 0 1 1
3	LO[0] = 1 => ADD	1 1 0 0	1	1 0 1 1 0 0 1 1
	Shift Product = (HI, LO) right 1 bit	1 1 0 0		1 1 0 1 1 0 0 1
4	LO[0] = 1 => SUB (ADD 2's compl)	0 1 0 0	0	0 0 0 1 1 0 0 1
	Shift Product = (HI, LO) right 1 bit			0 0 0 0 1 1 0 0

# Next ...

- ❖ Unsigned Multiplication
- ❖ Signed Multiplication
- ❖ **Unsigned Division**
- ❖ Signed Division
- ❖ Multiplication and Division in MIPS

# Unsigned Division (Paper & Pencil)

	$10011_2 = 19$		<b>Quotient</b>	
<b>Divisor</b>	$1011_2$	$11011001_2 = 217$	<b>Dividend</b>	
		$\underline{-1011}$ <div style="display: flex; align-items: center; margin-top: 5px;"> <div style="margin-right: 5px;">10</div> <div style="font-size: 2em; margin-right: 5px;">↓</div> </div> <div style="display: flex; align-items: center; margin-top: 5px;"> <div style="margin-right: 5px;">101</div> <div style="font-size: 2em; margin-right: 5px;">↓</div> </div> <div style="display: flex; align-items: center; margin-top: 5px;"> <div style="margin-right: 5px;">1010</div> <div style="font-size: 2em; margin-right: 5px;">↓</div> </div> <div style="display: flex; align-items: center; margin-top: 5px;"> <div style="margin-right: 5px;">10100</div> <div style="font-size: 2em; margin-right: 5px;">↓</div> </div> <div style="display: flex; align-items: center; margin-top: 5px;"> <div style="margin-right: 5px;"><math>\underline{-1011}</math></div> <div style="font-size: 2em; margin-right: 5px;">↓</div> </div> <div style="display: flex; align-items: center; margin-top: 5px;"> <div style="margin-right: 5px;">1001</div> <div style="font-size: 2em; margin-right: 5px;">↓</div> </div> <div style="display: flex; align-items: center; margin-top: 5px;"> <div style="margin-right: 5px;">10011</div> <div style="font-size: 2em; margin-right: 5px;">↓</div> </div> <div style="display: flex; align-items: center; margin-top: 5px;"> <div style="margin-right: 5px;"><math>\underline{-1011}</math></div> <div style="font-size: 2em; margin-right: 5px;">↓</div> </div> <div style="display: flex; align-items: center; margin-top: 5px;"> <div style="margin-right: 5px;"><math>\underline{1000}</math></div> <div style="font-size: 2em; margin-right: 5px;">↓</div> </div>		
		$1000_2 = 8$	<b>Remainder</b>	

Dividend =  
 Quotient × Divisor  
 + Remainder  
 $217 = 19 \times 11 + 8$

Try to see how big a number can be subtracted, creating a digit of the quotient on each attempt

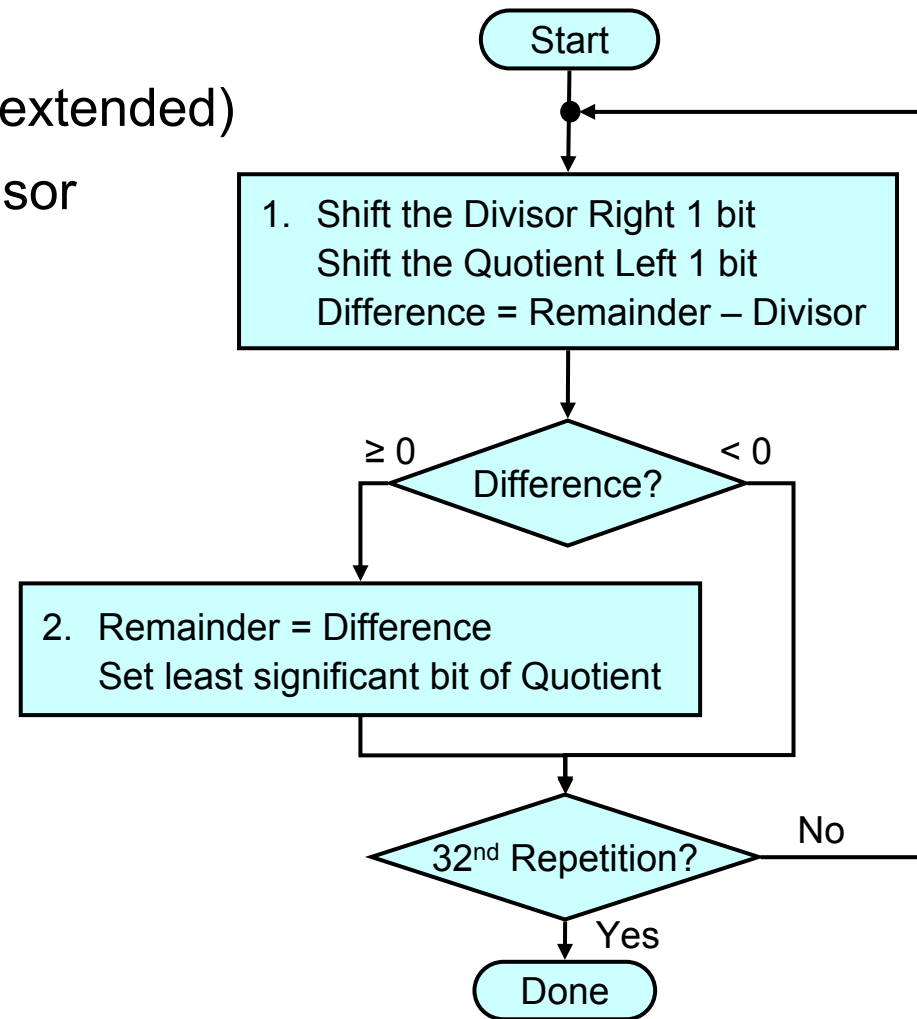
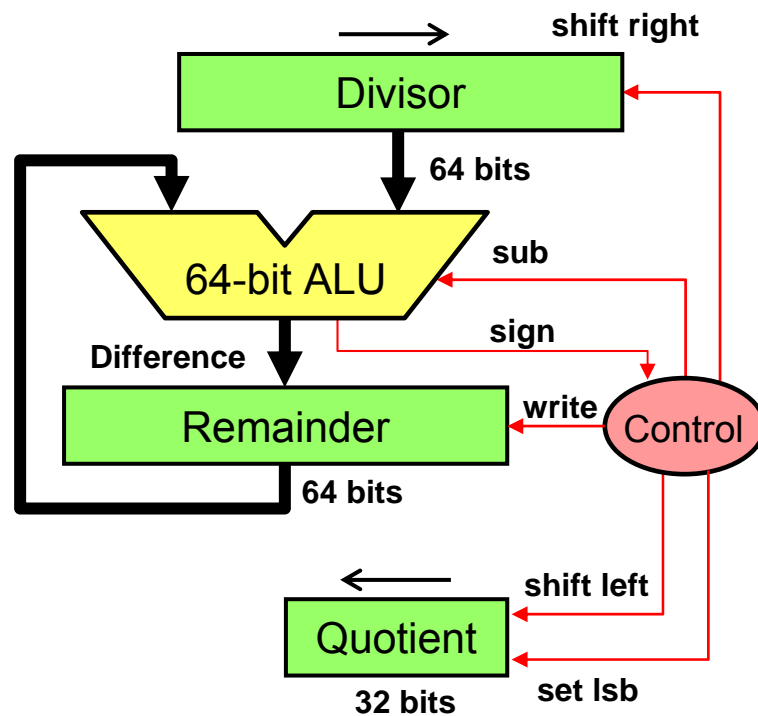
Binary division is accomplished via **shifting** and **subtraction**



# First Division Algorithm & Hardware

## ❖ Initialize:

- ❖ Remainder = Dividend (0-extended)
- ❖ Load Upper 32 bits of Divisor
- ❖ Quotient = 0



# Division Example (Version 1)

- ❖ Consider:  $1110_2 / 0011_2$  (4-bit dividend & divisor)
- ❖ Quotient =  $0100_2$  and Remainder =  $0010_2$
- ❖ 8-bit registers for Remainder and Divisor (8-bit ALU)

Iteration		Remainder	Divisor	Difference	Quotient
0	Initialize	0000 <b>1110</b>	<b>0011</b> 0000		0000
1	1: SRL, SLL, Difference	00001110	00011000	<b>11110110</b>	0000
	2: Diff < 0 => Do Nothing				
2	1: SRL, SLL, Difference	00001110	00001100	<b>00000010</b>	0000
	2: Rem = Diff, set lsb Quotient	00000010			000 <b>1</b>
3	1: SRL, SLL, Difference	00000010	00000110	<b>11111100</b>	0010
	2: Diff < 0 => Do Nothing				
4	1: SRL, SLL, Difference	00000010	00000011	<b>11111111</b>	0100
	2: Diff < 0 => Do Nothing				

# Observations on Version 1 of Divide

- ❖ Version 1 of Division hardware can be optimized

- ❖ Instead of shifting divisor right,

**Shift the remainder register left**

Has the same net effect and produces the same results

- ❖ Reduce Hardware:

- ✧ Divisor register can be reduced to 32 bits (instead of 64 bits)

- ✧ ALU can be reduced to 32 bits (instead of 64 bits)

- ✧ Remainder and Quotient registers can be combined

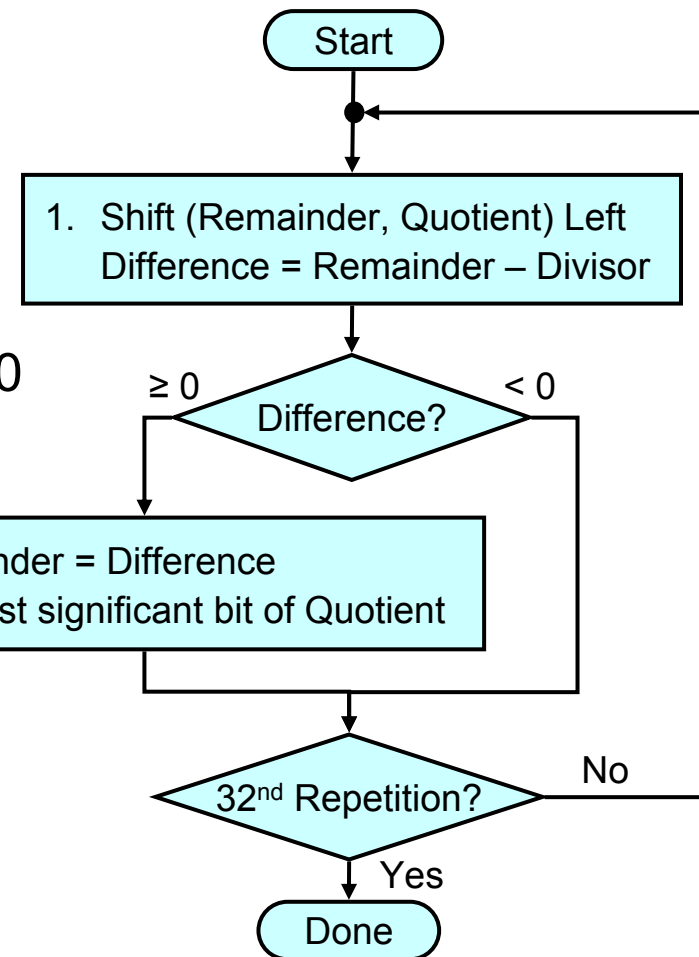
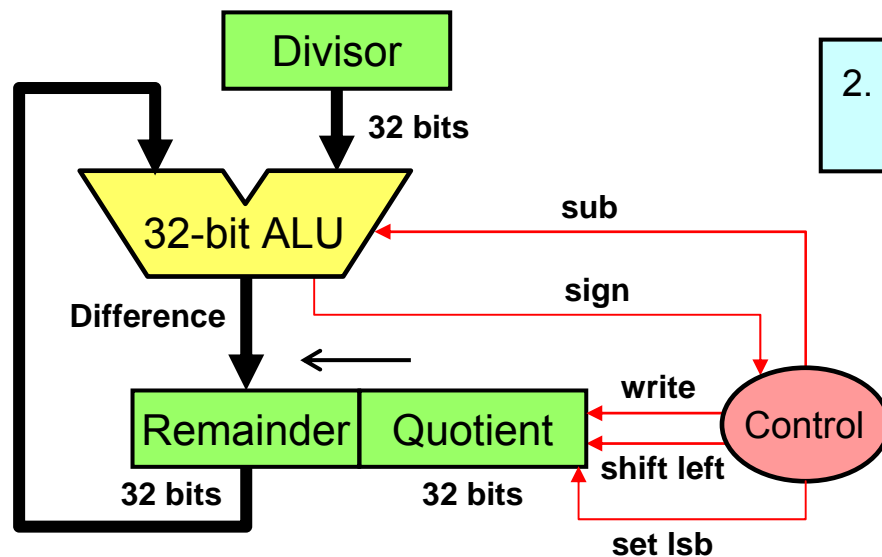
# Refined Division Hardware

## ❖ Observation:

- ❖ Shifting remainder left does the same as shifting the divisor right

## ❖ Initialize:

- ❖ Quotient = Dividend, Remainder = 0



# Division Example (Refined Version)

- ❖ Same Example:  $1110_2 / 0011_2$  (4-bit dividend & divisor)
- ❖ Quotient =  $0100_2$  and Remainder =  $0010_2$
- ❖ 4-bit registers for Remainder and Divisor (4-bit ALU)

Iteration		Remainder	Quotient	Divisor	Difference
0	Initialize	0 0 0 0	1 1 1 0	0 0 1 1	
1	1: SLL, Difference	0 0 0 1 ←	1 1 0 0	0 0 1 1	1 1 1 0
	2: Diff < 0 => Do Nothing				
2	1: SLL, Difference	0 0 1 1 ←	1 0 0 0	0 0 1 1	0 0 0 0
	2: Rem = Diff, set lsb Quotient	0 0 0 0	1 0 0 1		
3	1: SLL, Difference	0 0 0 1 ←	0 0 1 0	0 0 1 1	1 1 1 0
	2: Diff < 0 => Do Nothing				
4	1: SLL, Difference	0 0 1 0 ←	0 1 0 0	0 0 1 1	1 1 1 1
	2: Diff < 0 => Do Nothing				

# Next ...

- ❖ Unsigned Multiplication
- ❖ Signed Multiplication
- ❖ Unsigned Division
- ❖ Signed Division
- ❖ Multiplication and Division in MIPS

# Signed Division

- ❖ Simplest way is to remember the signs
- ❖ Convert the dividend and divisor to positive
  - ✧ Obtain the 2's complement if they are negative
- ❖ Do the unsigned division
- ❖ Compute the signs of the quotient and remainder
  - ✧ Quotient sign = Dividend sign XOR Divisor sign
  - ✧ Remainder sign = Dividend sign
- ❖ Negate the quotient and remainder if their sign is negative
  - ✧ Obtain the 2's complement to convert them to negative

# Signed Division Examples

## 1. **Positive** Dividend and **Positive** Divisor

✧ Example:  $+17 / +3$       Quotient =  $+5$     Remainder =  $+2$

## 2. **Positive** Dividend and **Negative** Divisor

✧ Example:  $+17 / -3$       Quotient =  $-5$     Remainder =  $+2$

## 3. **Negative** Dividend and **Positive** Divisor

✧ Example:  $-17 / +3$       Quotient =  $-5$     Remainder =  $-2$

## 4. **Negative** Dividend and **Negative** Divisor

✧ Example:  $-17 / -3$       Quotient =  $+5$     Remainder =  $-2$

The following equation must always hold:

$$\text{Dividend} = \text{Quotient} \times \text{Divisor} + \text{Remainder}$$



# Next ...

- ❖ Unsigned Multiplication
- ❖ Signed Multiplication
- ❖ Unsigned Division
- ❖ Signed Division
- ❖ Multiplication and Division in MIPS

# Multiplication in MIPS

## ❖ Two Multiply instructions

❖ `mult $s1,$s2`      **Signed multiplication**

❖ `multu $s1,$s2`      **Unsigned multiplication**

## ❖ 32-bit multiplication produces a 64-bit Product

## ❖ Separate pair of 32-bit registers

❖ **HI = high-order 32-bit**

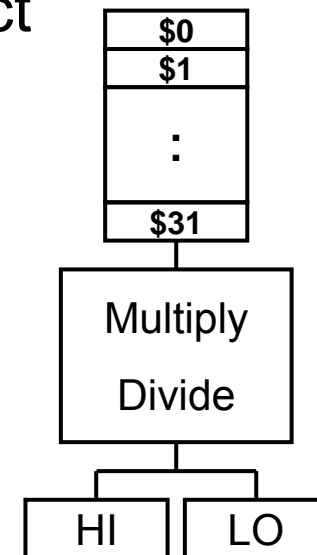
❖ **LO = low-order 32-bit**

❖ Result of multiplication is always in HI & LO

## ❖ Moving data from HI/LO to MIPS registers

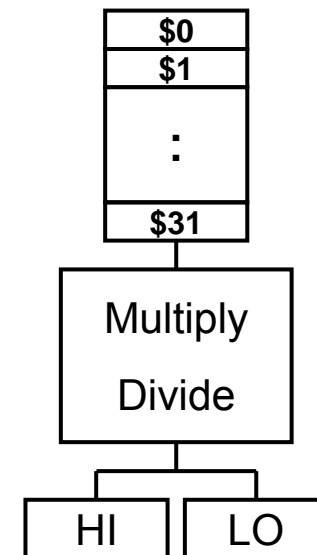
❖ `mfhi Rd` (move from HI to Rd)

❖ `mflo Rd` (move from LO to Rd)



# Division in MIPS

- ❖ Two Divide instructions
  - ❖ `div $s1, $s2`      **Signed division**
  - ❖ `divu $s1, $s2`      **Unsigned division**
- ❖ Division produces quotient and remainder
- ❖ Separate pair of 32-bit registers
  - ❖ **HI = 32-bit remainder**
  - ❖ **LO = 32-bit quotient**
  - ❖ If divisor is 0 then result is **unpredictable**
- ❖ Moving data to HI/LO from MIPS registers
  - ❖ `mthi Rs` (move to HI from Rs)
  - ❖ `mtlo Rs` (move to LO from Rs)



# Integer Multiply/Divide Instructions

Instruction	Meaning	Format						
mult Rs, Rt	Hi, Lo = Rs × Rt	op <sup>6</sup> = 0	Rs <sup>5</sup>	Rt <sup>5</sup>	0	0	0	0x18
multu Rs, Rt	Hi, Lo = Rs × Rt	op <sup>6</sup> = 0	Rs <sup>5</sup>	Rt <sup>5</sup>	0	0	0	0x19
div Rs, Rt	Hi, Lo = Rs / Rt	op <sup>6</sup> = 0	Rs <sup>5</sup>	Rt <sup>5</sup>	0	0	0	0x1a
divu Rs, Rt	Hi, Lo = Rs / Rt	op <sup>6</sup> = 0	Rs <sup>5</sup>	Rt <sup>5</sup>	0	0	0	0x1b
mfhi Rd	Rd = Hi	op <sup>6</sup> = 0	0	0	Rd <sup>5</sup>	0	0	0x10
mflo Rd	Rd = Lo	op <sup>6</sup> = 0	0	0	Rd <sup>5</sup>	0	0	0x12
mthi Rs	Hi = Rs	op <sup>6</sup> = 0	Rs <sup>5</sup>	0	0	0	0	0x11
mtlo Rs	Lo = Rs	op <sup>6</sup> = 0	Rs <sup>5</sup>	0	0	0	0	0x13

- ❖ Signed arithmetic: **mult**, **div** (Rs and Rt are signed)
  - ✧ LO = 32-bit low-order and HI = 32-bit high-order of multiplication
  - ✧ LO = 32-bit quotient and HI = 32-bit remainder of division
- ❖ Unsigned arithmetic: **multu**, **divu** (Rs and Rt are unsigned)
- ❖ **NO arithmetic exception** can occur

# Integer to String Conversion

- ❖ Objective: convert an unsigned 32-bit integer to a string
- ❖ How to obtain the decimal digits of the number?
  - ✧ Divide the number by 10, Remainder = decimal digit (0 to 9)
  - ✧ Convert decimal digit into its ASCII representation ('0' to '9')
  - ✧ Repeat the division until the quotient becomes zero
  - ✧ Digits are computed **backwards** from least to most significant
- ❖ Example: convert 2037 to a string
  - ✧ Divide 2037/10    quotient = 203    remainder = 7    char = '7'
  - ✧ Divide 203/10    quotient = 20    remainder = 3    char = '3'
  - ✧ Divide 20/10    quotient = 2    remainder = 0    char = '0'
  - ✧ Divide 2/10    quotient = 0    remainder = 2    char = '2'

# Integer to String Procedure

```
#-----  
# int2str:      Converts an unsigned integer into a string  
# Parameters:  $a0 = integer to be converted  
#             $a1 = string pointer (can store 10 digits)  
#-----  
int2str:  
    move    $t0, $a0          # $t0 = dividend = integer value  
    li     $t1, 10           # $t1 = divisor = 10  
    addiu  $a1, $a1, 10      # start at end of string  
    sb     $zero, 0($a1)     # store a NULL byte  
convert:  
    divu   $t0, $t1          # LO = quotient, HI = remainder  
    mflo  $t0                # $t0 = quotient  
    mfhi  $t2                # $t2 = remainder  
    ori   $t2, $t2, 0x30     # convert digit to a character  
    addiu $a1, $a1, -1       # point to previous char  
    sb    $t2, 0($a1)        # store digit character  
    bnez  $t0, convert       # loop if quotient is not 0  
    jr   $ra
```