

Name:

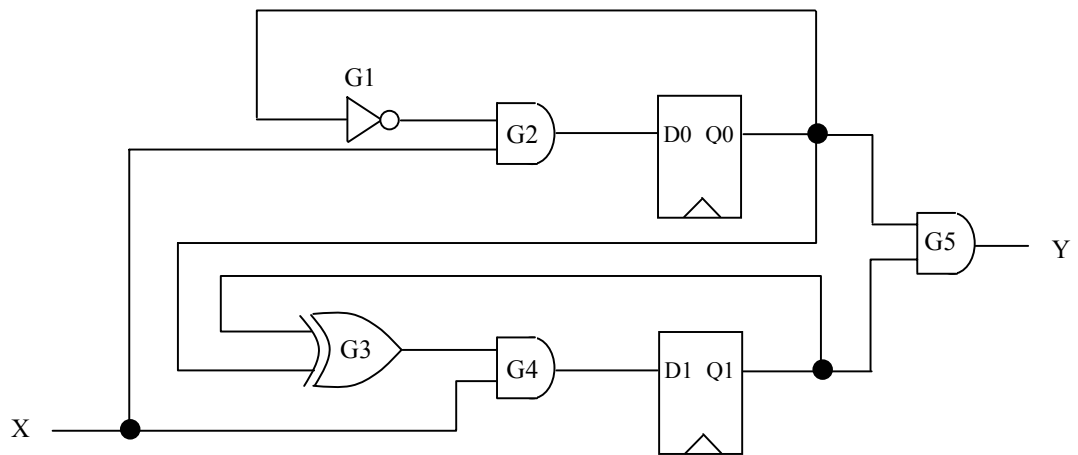
Id#

COE 464, Term 042
Testing of Digital Circuits

Quiz# 2

Date: Tuesday, March 15, 2005

Q1. Consider the sequential circuit shown below, where Y is a primary output and X is a primary input:



- i. Show an iterative array model of **two time frames** for this circuit.
- ii. Derive a test sequence for detecting the fault **Y s-a-0**.
- iii. Consider the fault **X s-a-0**. Show the state tables of the fault-free and faulty machines. Is the fault detectable, strongly detectable, partially testable or redundant? Justify your answer.