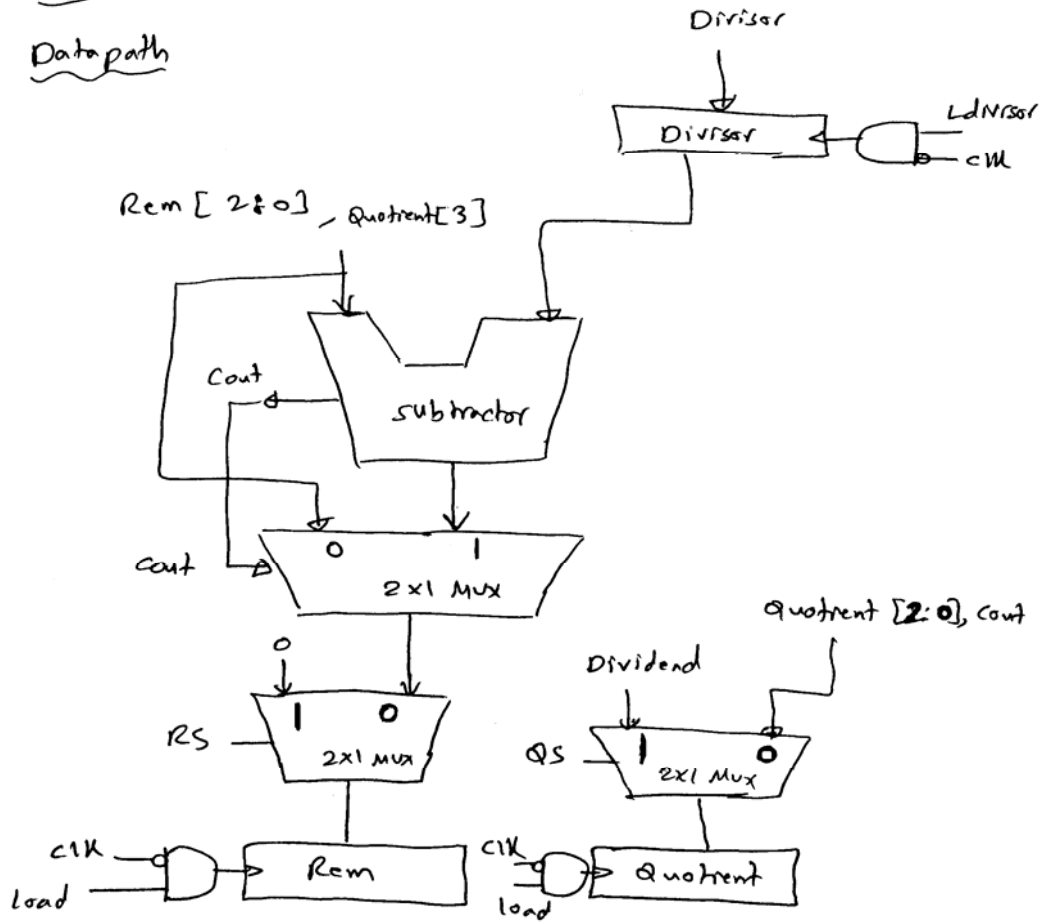


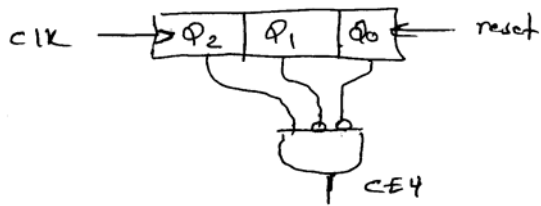
# Unsigned Sequential Divider Design

Unsigned Sequential Divider

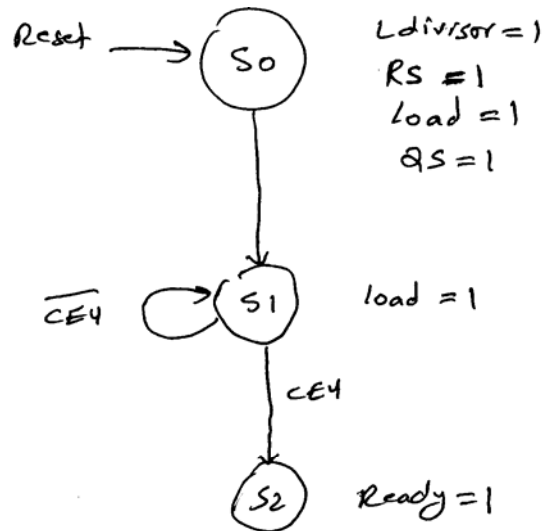
Data path



3-bit Counter



## Control Unit



## Recommended state assignment:

$$S_0 = 11$$

$$S_1 = 10$$

$$S_2 = 01$$

To guarantee correct operation, reset needs to be synchronous.