

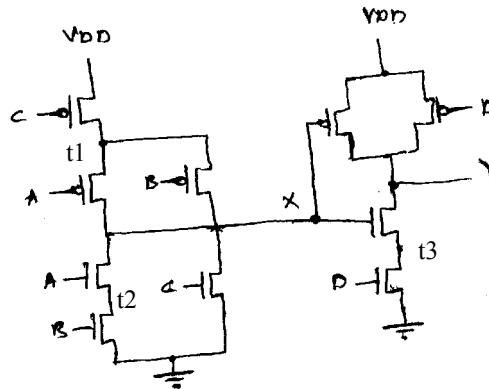
Name: KEY

Id#

COE 360, Principles of VLSI Design, Term 043
 Quiz# 5

Date: Monday, August 1

Q1. Draw the **stick diagram layout** of the transistor-level circuit shown below using one metal layer (Do not change the circuit structure). Show the n- and p-networks, and the Euler paths you identify. Minimize the wire lengths and the contact cuts used.



Common Euler Path:

{B, A, C, D, X}

Use the following legend in the stick diagram layout:

