

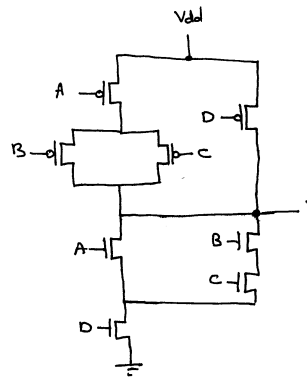
Name:

Id#

COE 360, Principles of VLSI Design, Term 032
Quiz# 5

Date: Tuesday, April 20

Q1. Draw the stick diagram layout of the transistor-level circuit shown below using one metal layer (Do not change the circuit structure). Show the n- and p-networks, and the Euler paths you identify. Minimize the wire lengths and the contact cuts used.



Use the following legend in the stick diagram layout:

