

Name:

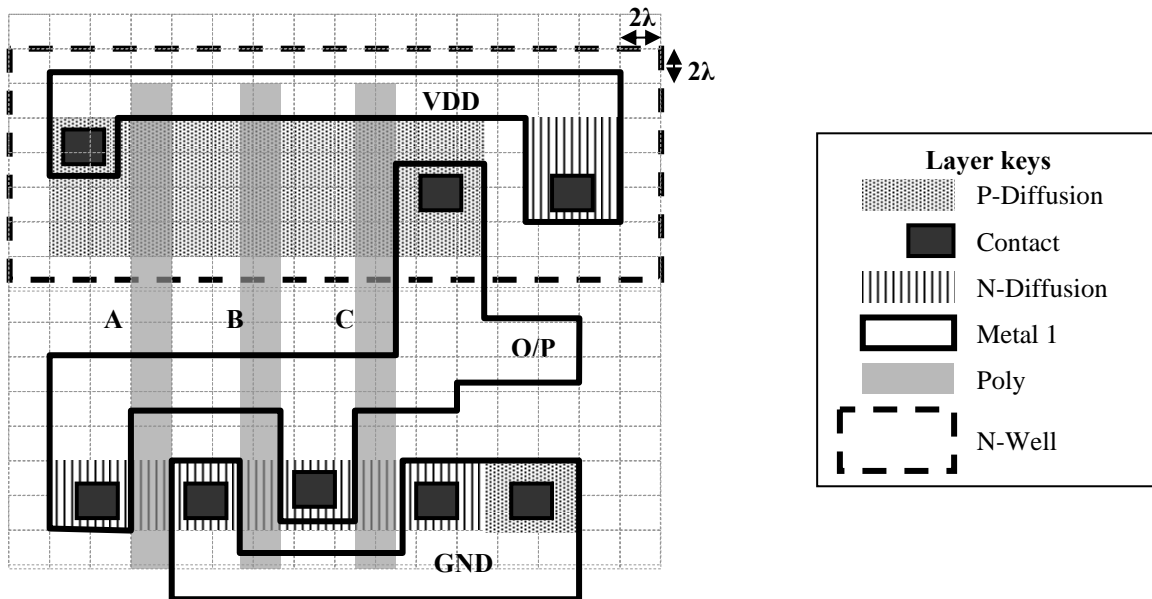
Id#

COE 360, Term 071

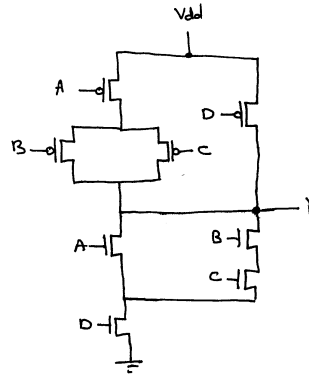
Principles of VLSI Design
Quiz# 4

Date: Saturday, Nov.24, 2007

Q1. Determine the function implemented by the layout given below. Determine the Width and Length of each transistor assuming that $\lambda = 0.5 \mu$.



Q2. Draw the stick diagram layout of the transistor-level circuit shown below using one metal layer (Do not change the circuit structure). Show the n- and p-networks, and the Euler paths you identify. **Minimize the wire lengths and the contact cuts used.**



Use the following legend in the stick diagram layout:

